

Commodore

1084 S-D1

PAL VERSION

Service Manual

09.91

PN-400413-01



Commodore

Produced By:

**Commodore International Spare Parts GmbH
Braunschweig, West Germany**

SERVICE MANUAL

**1084S-D1
PAL VERSION**

SEPTEMBER, 1991

PN-400413-02

INTERNATIONAL EDITION

SERVICE POLICY AND PART NUMBER INFORMATION MAY VARY ACCORDING TO COUNTRY. SOME PARTS MAY NOT BE AVAILABLE IN ALL COUNTRIES.

Commodore Business Machines, Inc.

1200 Wilson Drive, West Chester, Pennsylvania 19380 U.S.A.

Commodore makes no express or implied warranties with regard to the information contained herein. The information is made available solely on an as is basis, and the entire risk as to completeness, reliability, and accuracy is with the user. Commodore shall not be liable for any damages in connection with the use of the information contained herein. The listing of any available replacement part herein does not constitute in any case a recommendation, warranty or guaranty as to quality or suitability of such replacement part. Reproduction or use without express permission, of editorial or pictorial content, in any matter is prohibited.

This manual contains copyrighted and proprietary information. No part of this publication may be reproduced, stored in a retrieval system, or transmitted in any form or by any means, electronic, mechanical, photocopying, recording or otherwise, without the prior written permission of Commodore Electronics Limited.

Copyright © 1991 by Commodore Electronics Limited.
All rights reserved. Printed in U.S.A.

Reprinted with permission of Daewoo Electronics Co. Ltd.

CONTENTS

SPECIFICATIONS	1
IMPORTANT SERVICE SAFETY INFORMATION	2
INSTALLATION AND CHASSIS PARTS LOCATION	4
SERVICE INSTRUCTIONS	6
SERVICE ADJUSTMENT	13
SERVICE INFORMATION	19
Rear Connection Panel	19
P.C.B. Board Layouts	20
Circuit Diagram	27/28
Block Diagram	29/30
Parts List	31

SPECIFICATIONS

CRT	: 13V 90 deflection angle in-line Dot pitch 0.41 or 0.42mm high resolution	Video band width	: RGBI: 15 MHz Analog RGB: 10 MHz Composite: 4.4 MHz Separated Video: 5.2 MHz (Luma & Chroma)
Input signals	: Digital RGBI, Analog RGB, PAL Composite, Separated Video (luma & chroma) and Audio	Scanning frequency	: Horizontal: 15.75 KHz Vertical: 50 Hz
Input level	: Digital RGBI: TTL Analog RGB: Video 0.7 Vpp Sync TTL level Comp., Video, Chroma: 1 Vpp/75	Audio (Stereo)	: Input: 1 Vpp/47K Output: 1W
Display size	: 260(h) × 186(v) mm	Dimensions	: 352(W) × 376(D) × 326(H) cm
Colors	: RGBI: 16 colors Analog RGB: Full colors Comp.: Full colors	Weight	: Approx. 11.0 Kg
Resolution	: RGB: 2,000 characters (80 column × 25 lines) Comp.: 1,000 characters (40 column × 25 lines)	Power input	: 220/240VAC, 50 Hz, 0.5A
		Power consumption	: 75W

*Design, features and specifications are subject to change without notice.

IMPORTANT SERVICE SAFETY INFORMATION

WARNING:

An isolation transformer must be used between the AC supply and the AC plug of the color monitor before servicing or testing is performed on this monitor, since part of the chassis and the heat-sink are directly connected to one side of the AC line which could present a shock hazard. The chassis of the monitor should never be connected ground. Before serving is performed, read all the precautions labelled on the CRT, chassis, and on the inside of the cabinet of this monitor.

X-RAY RADIATION WARNING NOTICE

WARNING: PARTS WHICH INFLUENCE X-RAY RADIATION IN HORIZONTAL DEFLECTION. HIGH VOLTAGE CIRCUITS AND PICTURE TUBE, ETC., ARE INDICATED BY (★) IN THE PARTS LIST FOR REPLACEMENT PURPOSES. USE ONLY THE TYPE SHOWN IN THE PARTS LIST.

PRODUCT SAFETY NOTICE

WARNING: FOR CONTINUED SAFETY, REPLACE SAFETY CRITICAL COMPONENTS ONLY WITH MANUFACTURER RECOMMENDED PARTS. THESE PARTS ARE IDENTIFIED BY SHADING AND BY () ON THE SCHEMATIC DIAGRAM.

* * * * *

NOTICE D'AVERTISSEMENT DE RADIATION AUX RAYONS X

AVERTISSEMENT: LES PIÈCES QUI INFLUENCENT LES RAYONS X AU COURS DE LA DÉVIATION HORIZONTALE, LES CIRCUITS À HAUTE TENSION ET LE TUBE-IMAGE, ETC. SONT ACCOMPAGNÉES D'UN ASTÉRIQUE (★) DANS LE CATALOGUE DE PIÈCES DÉTACHÉES. DANS LE CAS D'UN REMPLACEMENT, UTILISER UNIQUEMENT LES MODÈLES DE PIÈCES DANS LE CATALOGUE DE PIÈCES DÉTACHÉES.

NOTICE DE SECURITE

AVERTISSEMENT: POUR ÊTRE ASSURÉ D'UNE SECURITE OPTIMALE À TOUT MOMENT, REMPLACER LES COMPOSANTS CRITIQUES UNIQUEMENT PAR LES PIÈCES RECOMMANDÉES PAR LE FABRICANT DE L'APPAREIL, CES PIÈCES SONT IDENTIFIÉES PAR UNE ZONE D'OMBRE ET PAR SYMBOLE () SUR LE SCHEMA DE MONTAGE.

The manufacturer's warranty and reliabilities will be void if any unauthorized modifications, alterations or additions are made.

For replacement purposes, use the same type or specified type of wire and cable, ensuring that the positioning of the wires is followed (especially for H.V. and power supply circuits). Use of alternative wiring or positioning could result in damage to the set or in a shock or fire hazard.

The picture tube used in this monitor employs integral implosion protection and should be replaced with the tube of the same type number for continued safety.

When handling the CRT, shatter-proof goggles must be worn after completely discharging the high voltage circuit. Do not lift the picture tube by the neck.

WARNING: BEFORE RETURNING THE MONITOR TO THE CUSTOMER PERFORM THE FOLLOWING SAFETY CHECKS IN ITEMS 1, 2 AND 3 FOR THE CONTINUED SAFETY OF THE SERVICEMAN AND CUSTOMER.

* * * * *

AVERTISSEMENT: AVANT DE RETOURNER LE MONITEUR CLIENT, PROCÉDER AUX CONTRÔLES DE SECURITE DES ITEMS 1, 2 ET 3 POUR ASSURER UNE SECURITE OPTIMUM AU REPARATEUR COMME AU CLIENT.

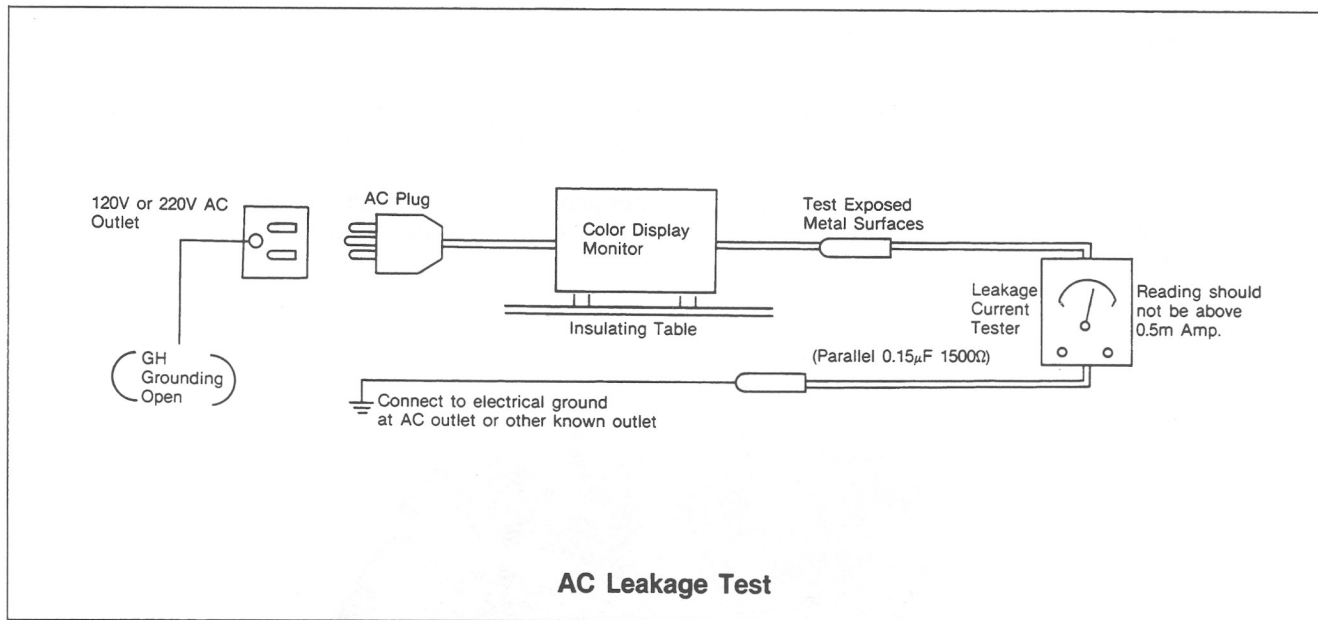
1. Leakage Current Test:

Plug the AC power cord directly into a 220V AC outlet. (Do not use an isolation transformer for this test)

Measure the current flowing from all exposed metal parts of the cabinet, including the rear cover, (handle bracket, wooden cabinet, screw heads, video input terminal, control shaft, etc.) to the ground pin of an AC outlet or to a known ground. (water-pipe, conduit, etc.)

This leakage test should be performed with the AC switch ON and repeated with the AC switch OFF. The measured current must be less than 0.5 milliamp.

Any measurements not within the limits outlined above are indicative of a potential shock hazard and corrective action must be taken before returning the instrument to the customer.



2. Resistance Test:

With the AC plug is removed from the 220VAC outlet, place a jumper across the two attachment plug prongs except Grounding Pin. Turn the switch ON. Using an ohmmeter, connect one lead to the jumped AC plug and touch the other lead to each exposed video input terminal, and to any exposed metal parts. The resistance measured should not be less than 1.0 megohm or grater than 5.2 megohms. Any resistance value below or above this range indicates an abnormality which requires corrective action.

Repeat the test with the AC switch in the OFF position.

3. Wire Routine:

In case of removing Wire Clamp during service, make sure to return Clamp and Wiring routes to original positions after servicing.

INSTALLATION AND CHASSIS PARTS LOCATION

INSTALLATION OF THIS COLOR MONITOR CHASSIS AND INITIAL CHECK POINTS

When installing this color monitor' chassis, first check operation on a black and white telecast. Check and if necessary, adjust centering, size, and locus. Observe the picture for proper black and white reproduction (tracking) over all areas of the screen. No objectionable color shading or fringing should be evident. If shading or fringing is evident, degauss the monitor.

In most instances after installation, a technician need only degauss the faceplate area and touch-up the static (center) convergence.

CHASSIS PARTS LOCATION

The degaussing coil should be moved slowly around the front faceplate of the picture tube and around the sides and front of the monitor. The coil should then be withdrawn slowly to a distance of at least six to ten feet before disconnecting from the AC supply.

This monitor chassis is equipped with an automatic degaussing circuit which effectively demagnetizes the faceplate each time the monitor is switched ON after having been OFF for at least ten minutes.

Note:

See "SERVICE ADJUSTMENT" on page 13 for details of adjusting procedures.

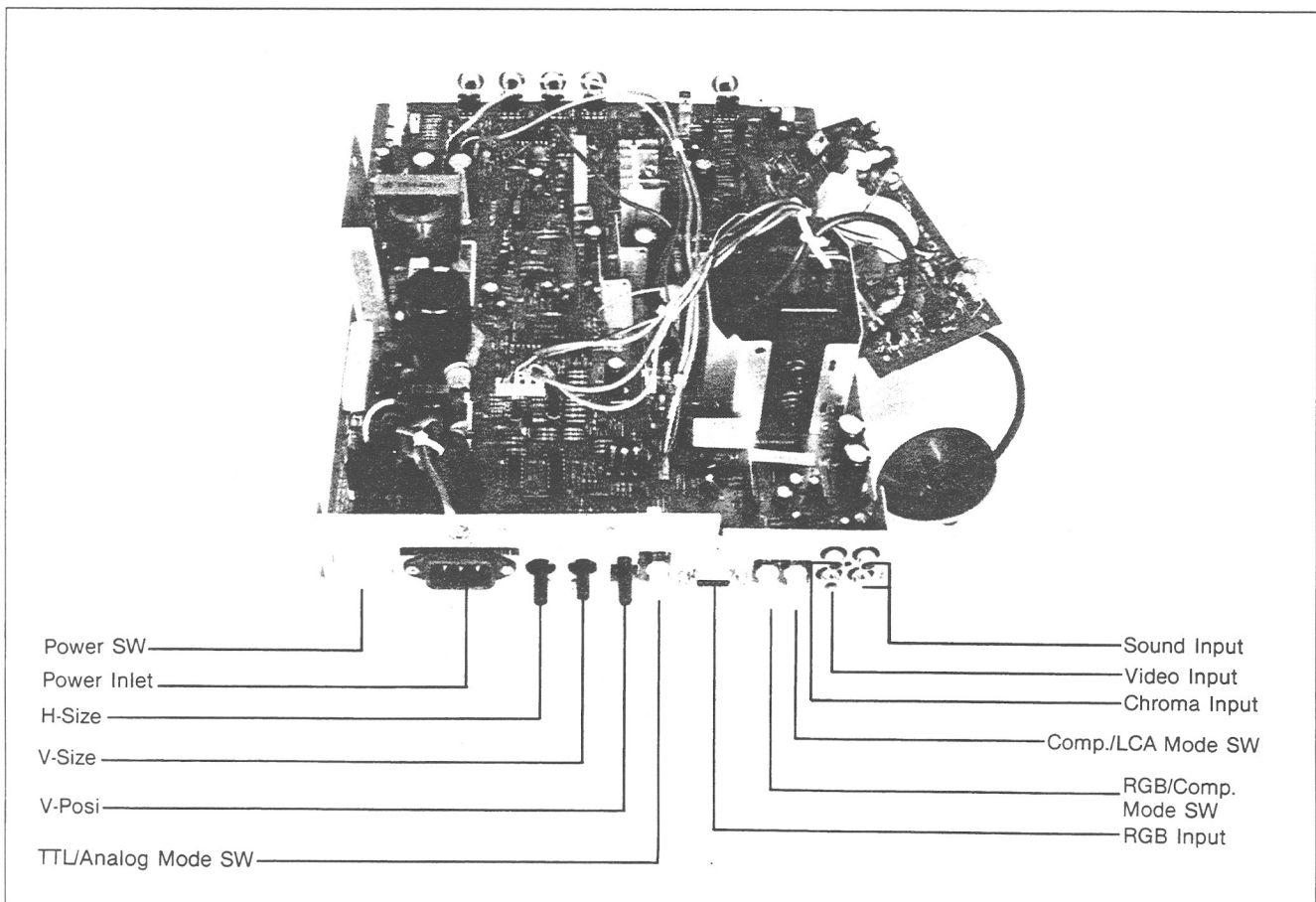


Fig. 1

SERVICE INSTRUCTIONS

CHASSIS REMOVAL (SEE FIGS. 3/4)

1. Remove the nine screws securing the rear cover of the cabinet. (See Fig. 3)
2. Pull the rear cabinet about 10cm to the rear.
3. Remove (pull to the rear) the speaker connection near the radio output at the left side of the cabinet. (See Fig. 4)
4. Remove the rear cabinet.
5. Remove solder connection of the black wire connecting CRT grounding and neck p.c. board, then remove the neck p.c. board from the picture tube. (See Fig. 5)
6. Remove the second anode cap.
7. Remove the connectors as follows:
 - 1) Deflection yoke connector
 - 2) Degaussing coil connector
 - 3) Sound controls connector
 - 4) Speaker connector
 - 5) Power indicator connector
8. Remove the two screws securing the power switch.
9. Take the chassis out of the cabinet.
10. To install the chassis, repeat the above procedure in reverse order.

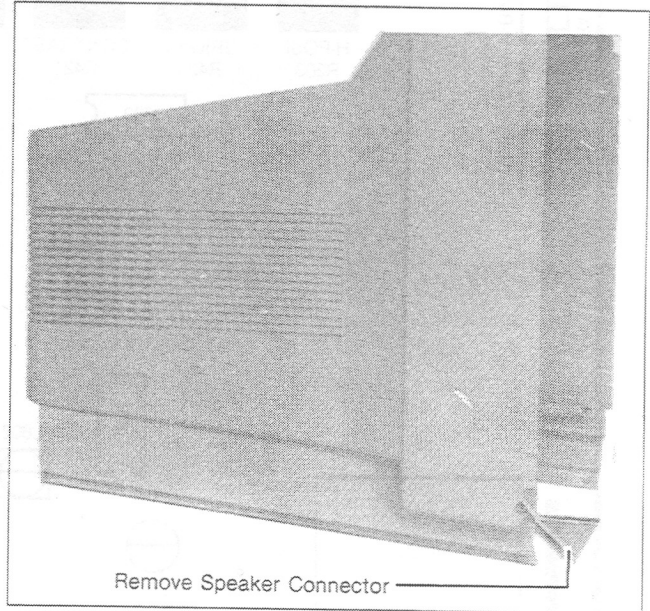


Fig. 4

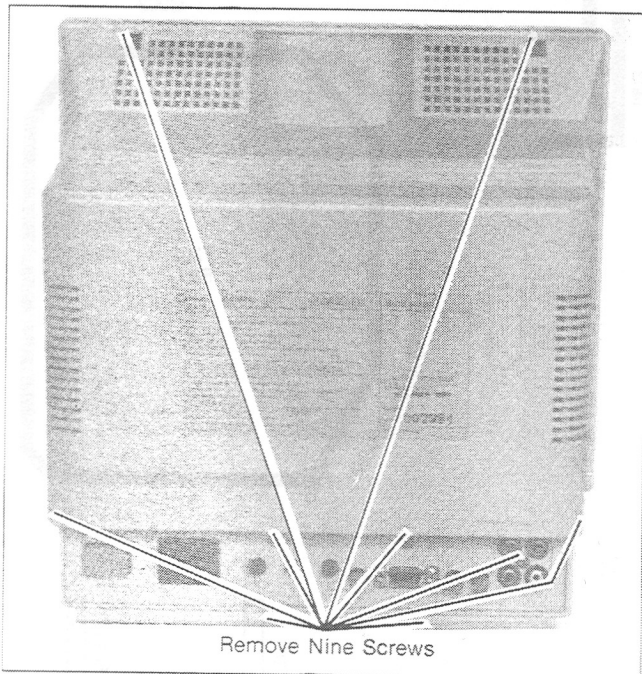


Fig. 3

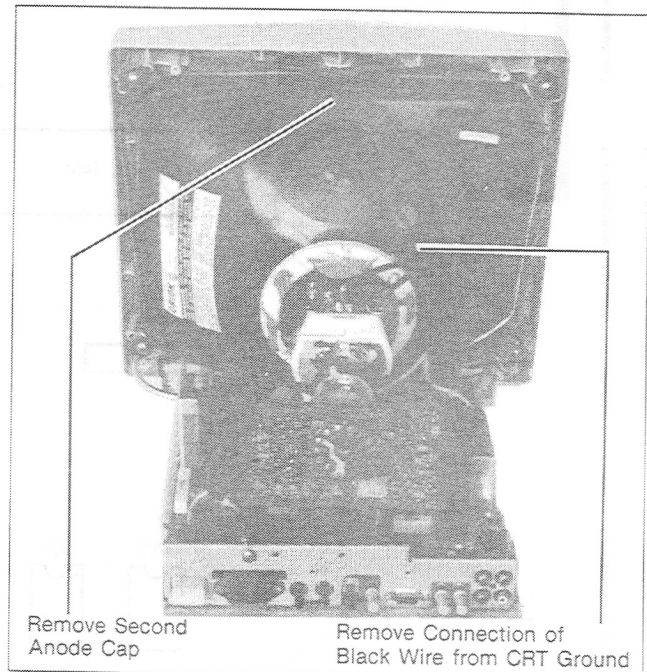


Fig. 5

MAIN CHASSIS SERVICING

1. Remove the rear cabinet.
2. Repairing of main chassis can be done easily, if stood as shown in Fig. 6.

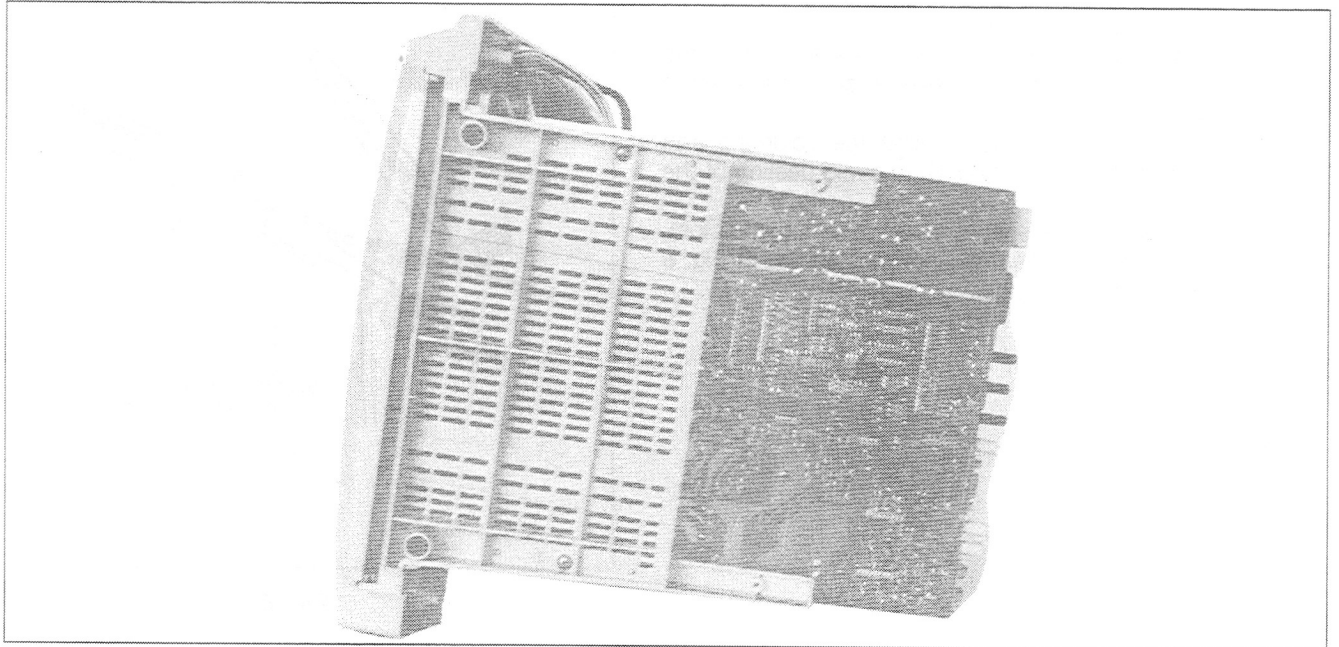


Fig. 6.

PICTURE TUBE REMOVAL

In order to remove or replace the picture tube, the chassis must first be removed. Refer to chassis removal procedure. After the chassis has been removed, proceed as follows.

1. Loosen the clamping screws on the deflection yoke, purity and static convergence magnet, and remove them.
2. Remove four screws securing the picture tube to the front cabinet.

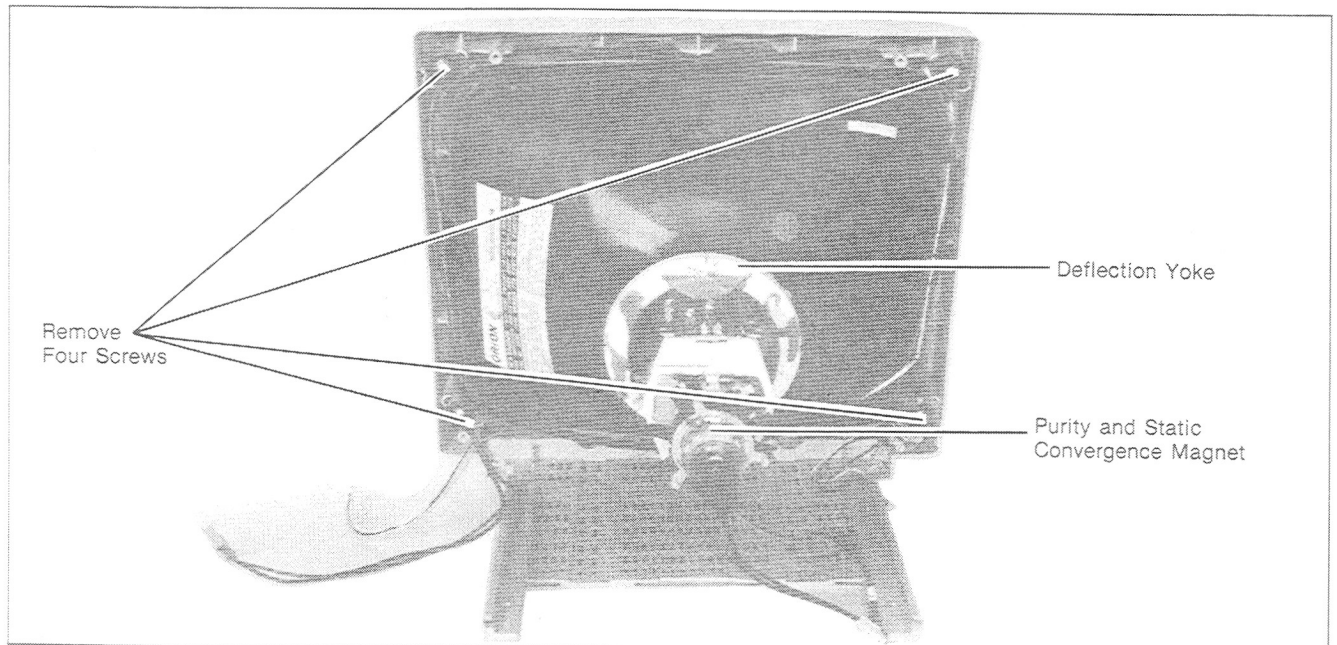


Fig. 7

PRECAUTIONS FOR REPAIRS

1. Check for bad contacts on connectors on the main PC board and elsewhere by applying hand pressure.
2. Check AC power supply for problems-e.g. blown fuse, bad switch or AC outlet.
3. Check for intermittents or defective soldering on the main board by striking the reverse side of the board gently with an insulated bar.
4. When soldering PC boards, limit the soldering iron temperature to 500°F (200°C) to avoid peeling of the foil.
5. When soldering transistors or other semiconductors, use tweezers or a heat sink clip as shown in Fig. 8 to prevent heat damage.

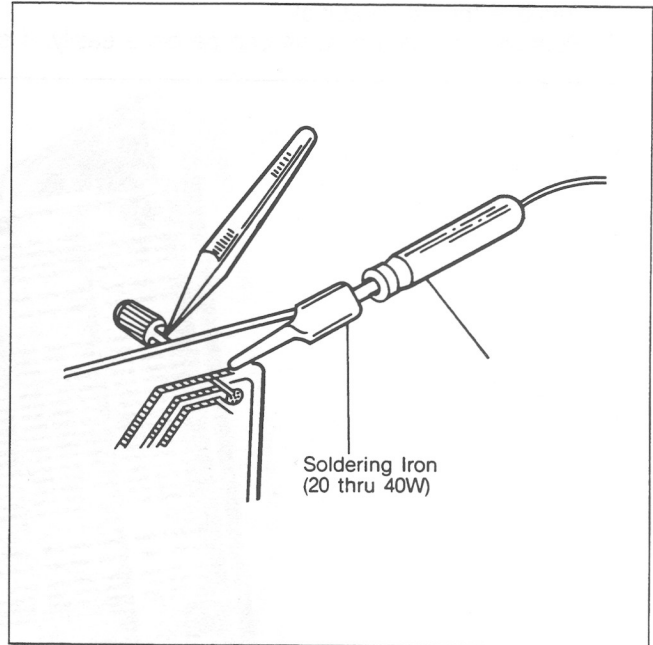


Fig. 8

TROUBLESHOOTING

As major parts of this chassis employ ICs, defects can often be isolated by referring to the table of symptoms in Table 1. Additional checks of transistor and IC, DC voltages and waveforms as shown on the schematic will assist in pinpointing the problem area. Remember also to check for faulty resistors and capacitors, etc. around defective ICs and transistors.

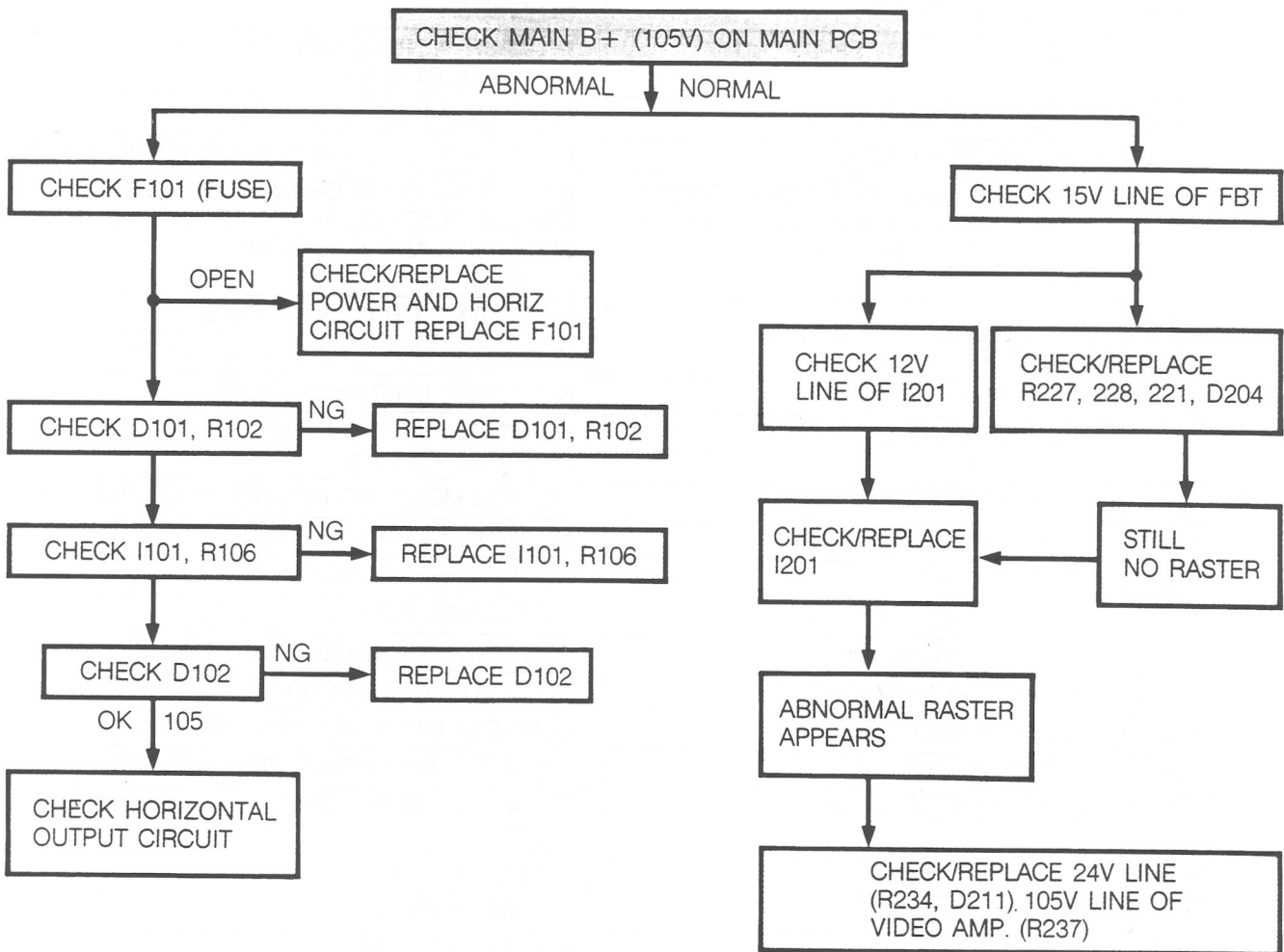
IC/TR	SYMPTOM
I101: POWER SUPPLY CIRCUIT	NO RASTER
I201: HORIZ OSC, DRIVE, SYNC SEP CIRCUIT	NO RASTER, NOPICTURE, NO HIGH VOLTAGE UNSTABLE PICTURE
I202: SYNC PROCESSING CIRCUIT	RGB MODE UNSTABLE PICTURE
I301: VERT OSC, OUTPUT CIRCUIT	HORIZONTAL LINE ONLY, POOR VERTICAL SCAN
I401: VIDEO PREAMP, COMPOSITE COLOR MATRIX, MODE SWITCHING RGB AND COMPOSITE SIGNAL, AUTO OUT-OFF CONTROL CIRCUITS	NO PICTURE OR POOR PICTURE, NO AUTO CUT-OFF CONTROL, NO MODE SWITCHING OF COMPOSITE AND RGB SIGNAL
I402: 12V REGULATOR	NO PICTURE OR POOR PICTURE
I403: 5V REGULATOR	RGB MODE NO PICTURE, POOR PICTURE
I601: COMPOSITE COLOR CIRCUIT	NO COLOR, UNSTABLE COLOR
I602: MODE SWITCHING CIRCUIT	NO MODE SWITCHING, NO PICTURE, UNSTABLE PICTURE
I701, I702: TTL CIRCUIT	TTL RGB MODE. NO PICTURE. POOR PICTURE
I801, I8011: STEREO SOUND CIRCUIT	NO SOUND OR POOR SOUND
Q201: HORIZ DRIVE CIRCUIT	NO PICTURE, NO HIGH VOLTAGE
Q202: HORIZ OUTPUT CIRCUIT	NO PICTURE, NO HIGH VOLTAGE
Q203: SYNC SWITCHING CIRCUIT	RGB MODE, UNSTABLE PICTURE
Q601: COLOR INPUT BUFFER CIRCUIT	NO COLOR, POOR COLOR
Q602: COMPOSITE BUFFER CIRCUIT	COMP/SEP MODE, NO VIDEO OR POOR VIDEO
Q701, Q702, Q703: TTL BUFFER	TTL MODE, NO PICTURE OR POOR PICTURE
Q704: TTL COLOR MATRIX CIRCUIT	TTL MODE, NO BROWN COLOR, OR UNSTABLE COLOR
Q501-Q504: R OUTPUT CIRCUIT	NO RED PICTURE
Q505-Q508: G OUTPUT CIRCUIT	NO GREEN PICTURE
Q509-Q512: B OUTPUT CIRCUIT	NO BLUE PICTURE

TABLE 1.

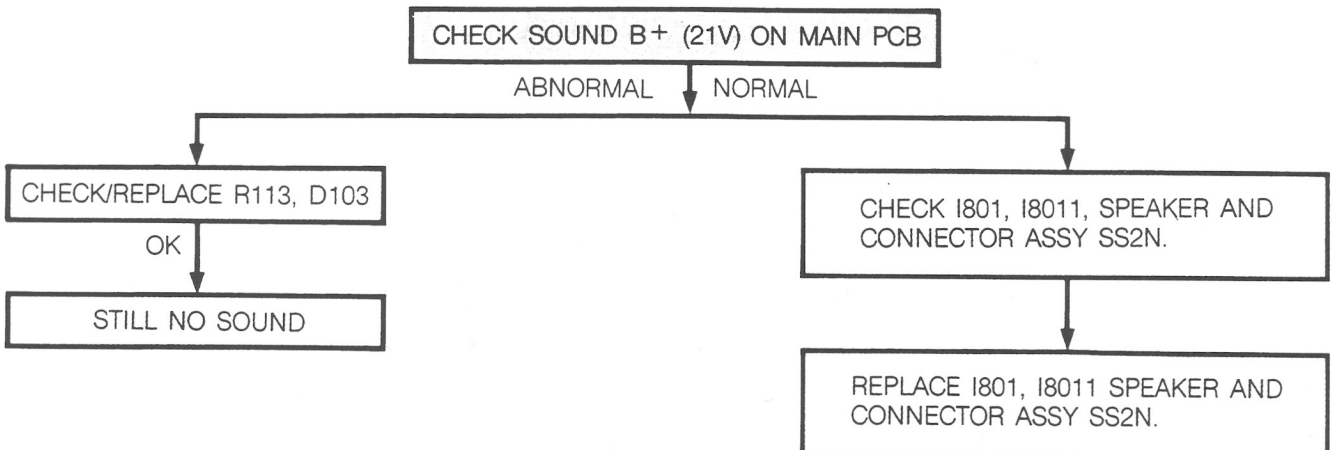
TROUBLESHOOTING CHARTS

The following charts are devoted to troubleshooting which, if followed carefully, will assist you in tracking down a fault to the collect stage. In order to utilize the charts (fault trees), firstly establish the complaint, i.e. no raster. Locate the chart applicable and then progress through the various alternatives until a final block the offending components or stage.

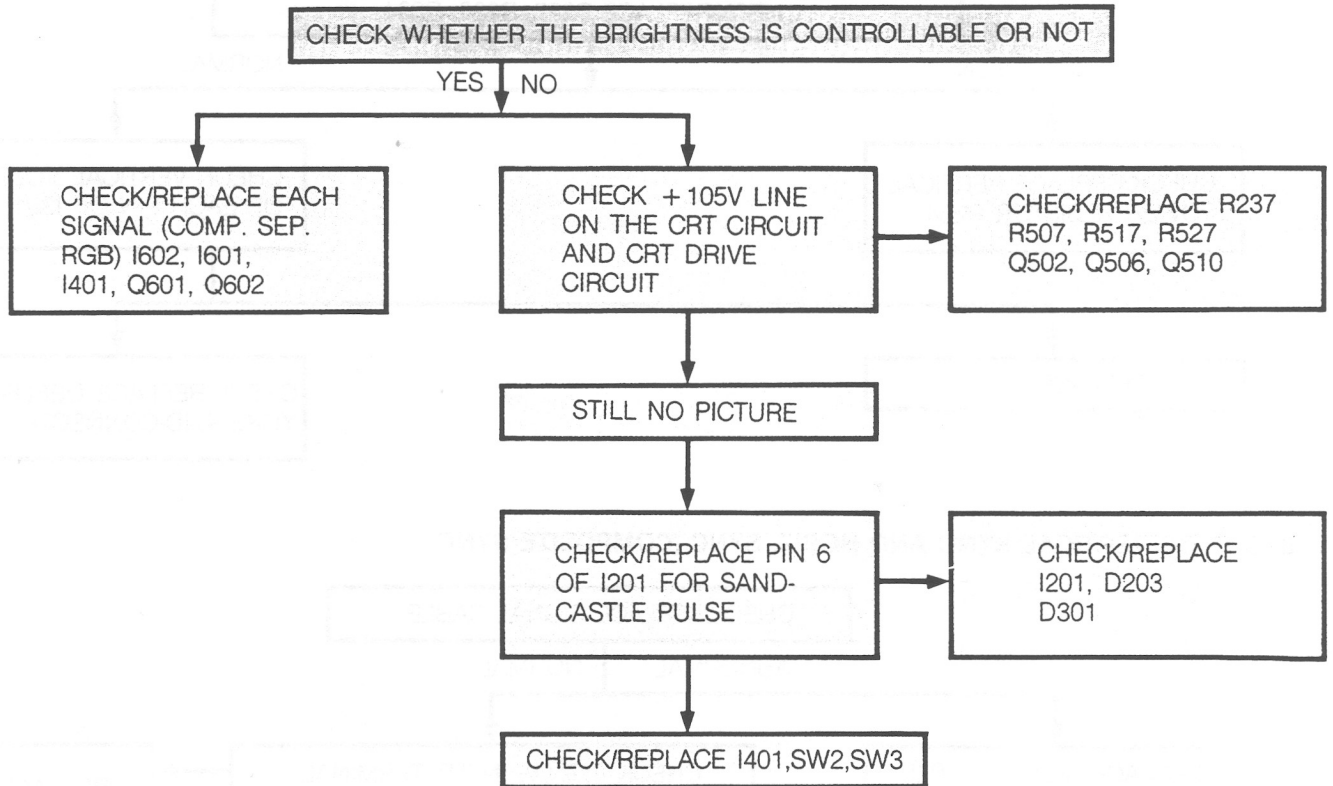
1. NO. RASTER



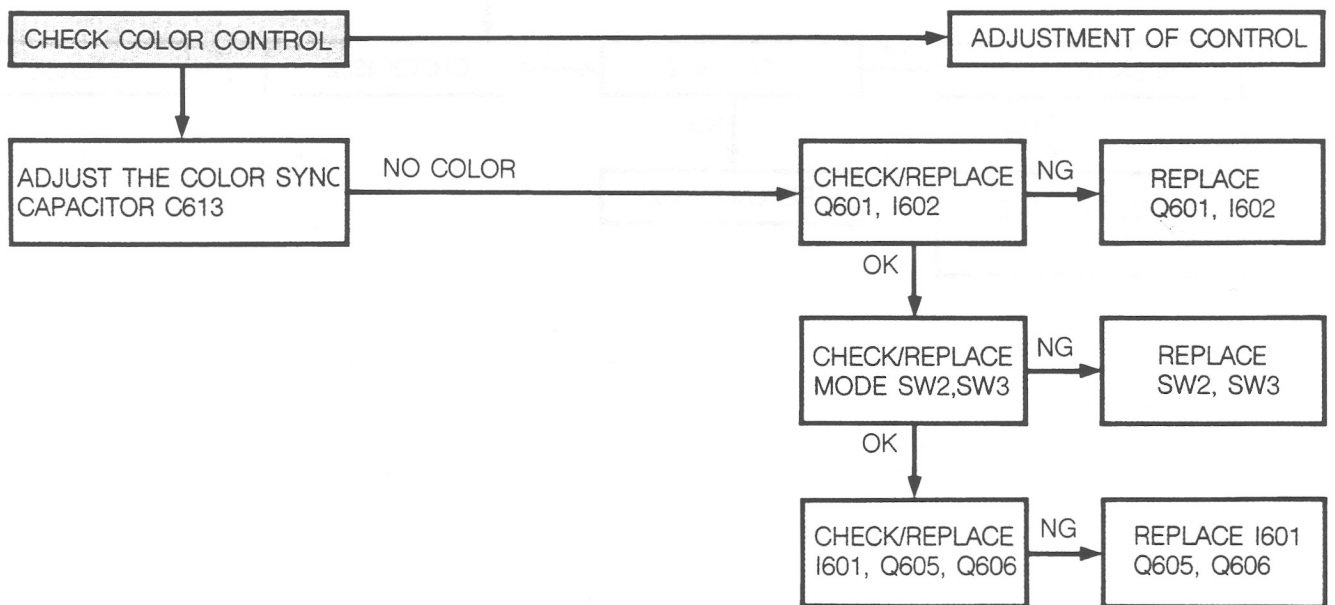
2. NO SOUND



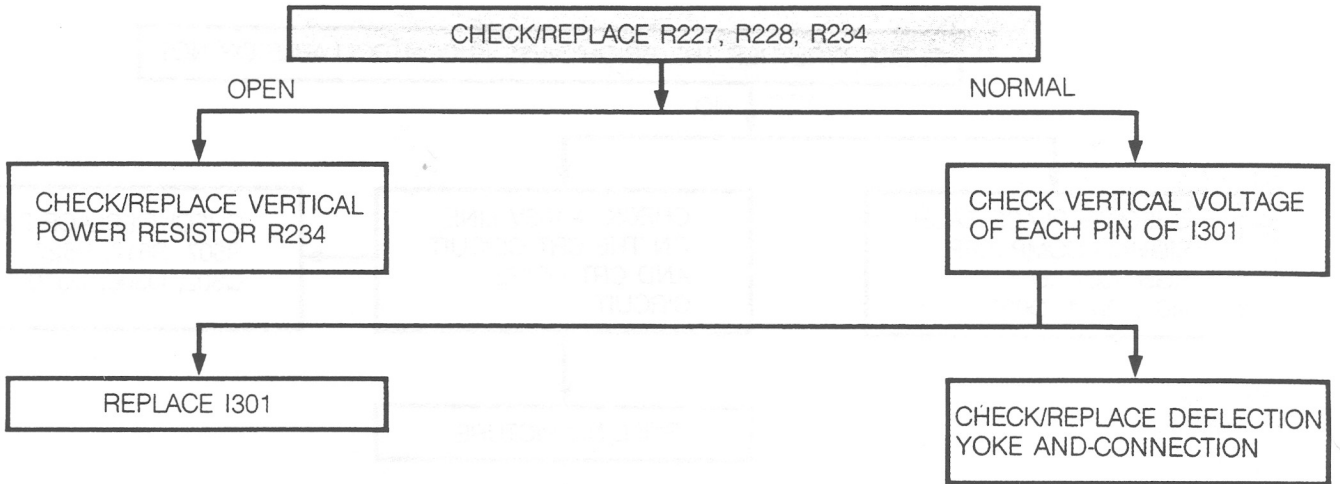
3. NO PICTURE



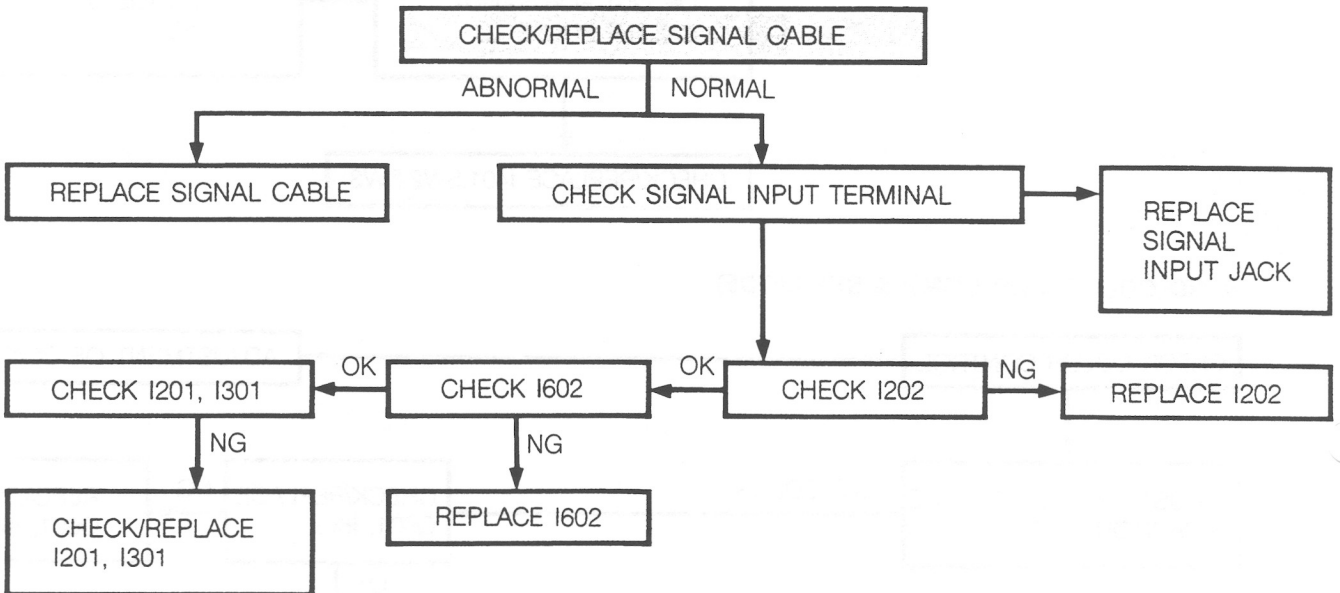
4. NO COLOR (FOR COMP & SEP MODE)



5. NO VERTICAL SCAN (ONE HORIZ, ONE LINE RASTER)



6. OUT OF VERTICAL SYNC AND HORIZ. SYNC (COMPOSITE SYNC)



DESOLDERING OF ICS AND TR

The following tools are suggested for desoldering semi-conductors:

1. Desoldering tools

- Hand suction type-Solda-Pull® (model SS011, Edsyn Inc. Van Nuys, CA) or equivalent.
- Wire-Wick type-Solder-Wick® (size = 4, Solder Removal Co., Covina, CA) or equivalent.

- Soldering Iron**-Maximum wattage recommended is 40W. Higher power soldering irons may damage the copper foil of board.

Note:

When desoldering parts, heat the joint and remove the solder quickly. The PC foil may peel from the board if heat is applied for too long.

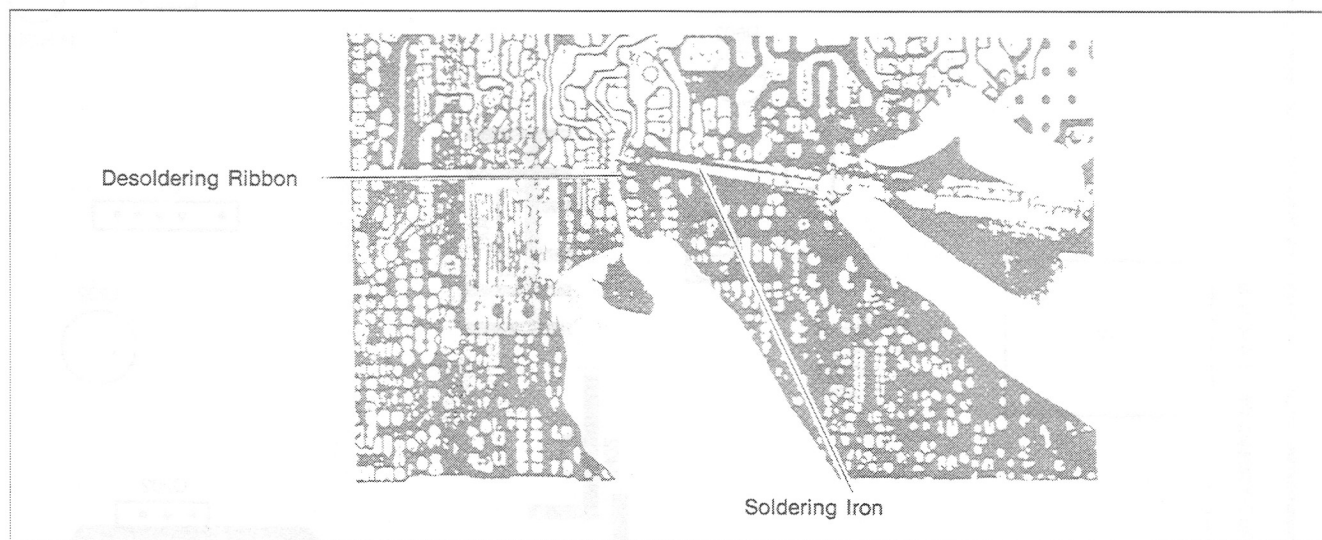


Fig. 9

SERVICE ADJUSTMENT

FOCUS ADJUSTMENT

Adjust the focus control, located on the H.V. unit (T202) for maximum overall definition and fine picture detail with brightness and contrast controls set at normal viewing levels.

VERTICAL SIZE (R306) ADJUSTMENT

The vertical size (height) control is the screwdriver adjustment that is accessible through the front cover. Location of the control is shown in Figs. 1 and 10. These controls must be adjusted until the correct picture or test pattern is obtained.

COLOUR AMPLITUDE AND PHASE ADJUSTMENT

- Receive PAL/DEM-bar signal.
- Connect the probe of oscilloscope to B-Y output.
- Adjust L602 and R602 in order to make wave form flat on screen.
- Receive color bar signal instead of DEM signal.
- Adjust L602 to make B-Y output stable.

HORIZONTAL SIZE (R337) ADJUSTMENT

The horizontal size (R337) is the VR which controls the H-size of the picture. After received cross hatch pattern, adjust the horizontal size by turning this control.

CIRCUIT PROTECTION

4.0A fuse, mounted on the main PC board, has been provided to protect the power out put circuit. See Figs. 2 and 10.

HORIZONTAL HOLD (R225) ADJUSTMENT (SEE FIGS. 2 AND 10)

- Receive the color signal.
Set the brightness and contrast controls to a normal position. A warm-up period of at least five minutes should be allowed and alignment should be done.
- Connect a jumper wire between pin 12 of I201 and ground line.
 - Adjust the horiz. hold control (R225) until the picture is stable. (Tune R225 to 15.734 KHz).

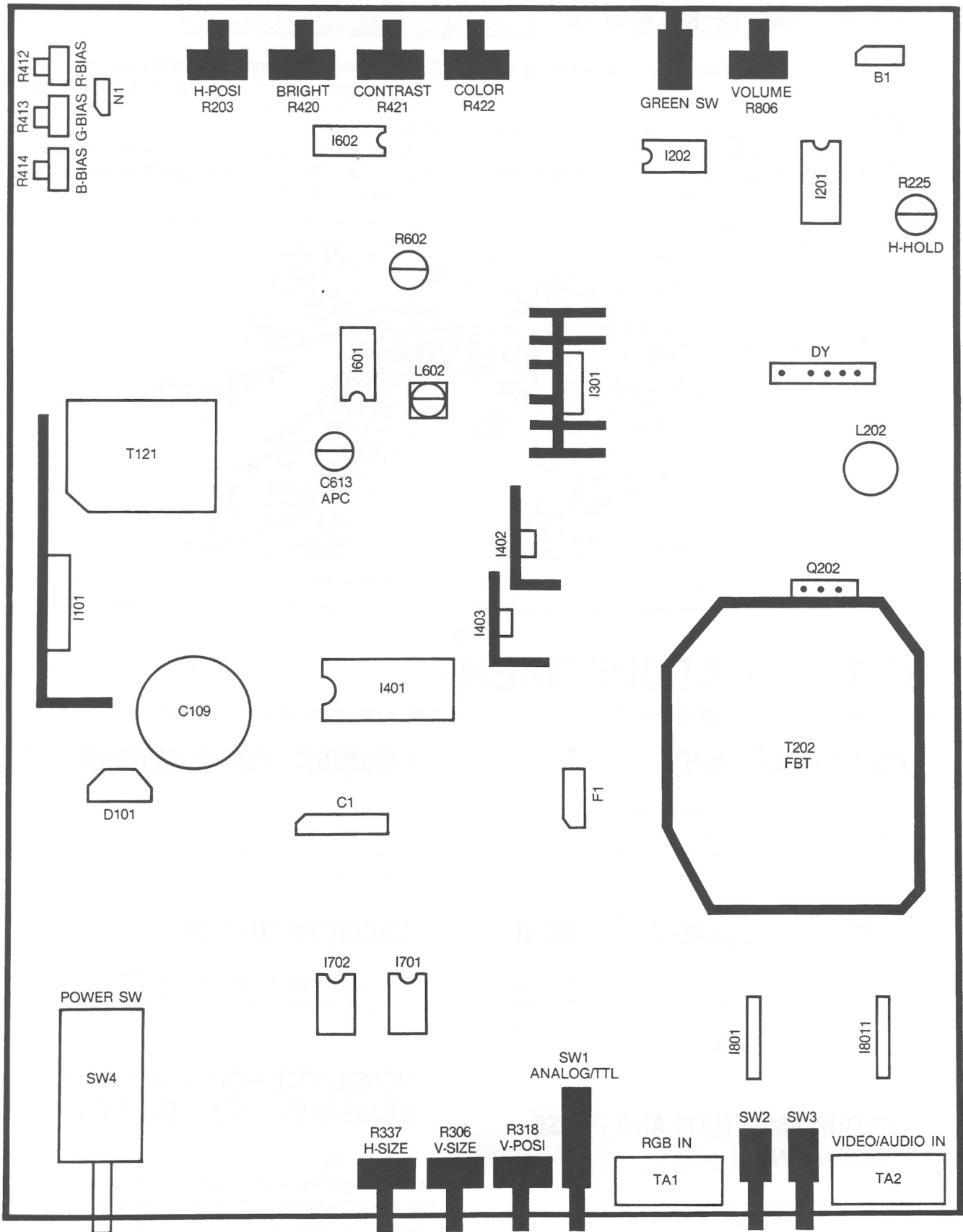


Fig. 10

APC ADJUSTMENT (SEE FIG. 10)

This adjustment should be made only when the chroma/video (I601) or parts of the APC circuit have been replaced, or when the picture colors are unstable. For adjustment, use the APC, ADJ control (C613).

Procedures

1. Apply a color bar signal to the video input terminal.
2. Turn the color control fully clockwise and position the tint control at the mechanical center.
3. Connect a jumper wire between pin 11 of I201 and ground line.
4. Turn the APC, ADJ control (C613) with an insulated screwdriver until the color bar on the screen is synchronized.
5. Removed the jumper wire and capacitor.

HIGH VOLTAGE CHECK

High voltage is not adjustable but must be checked to verify that the monitor is operating within safe and efficient design limitations as specified:

1. Remove cabinet back.
2. Operate monitor for at least 15 minutes at 220V AC line with video signal or test signal properly tuned in.
3. Rotate the brightness and contrast controls to maximum clockwise position.
4. Connect an accurate high voltage meter to CRT anode.
Reading should be between 23KV and 25KV.

CONTROL DE HAUTE TENSION

La haute tension n'est pas réglable mais doit être contrôlée afin de s'assurer que le moniteur fonctionne d'une mesure de sécurité et d'efficacité déterminée par le cahier des charges. Pour le faire:

1. Enlever le couvercle d'arrière du cabinet.
2. Faire fonctionner le moniteur pendant au moins 15 minutes à la ligne de 220V, AC en accordant correctement le signal de vidéo ou celui d'essai.
3. Tourner à fond les commandes de brillance et de contraste dans le sens de aiguilles d'une montre.
4. Brancher un voltmètre de haute précision sur l'anode de CRT. La valeur relevée doit être comprise entre 23KV et 25KV.

VERTICAL POSITION CONTROL (R318) ADJUSTMENT (SEE FIG. 10)

The vertical position control (R318) is the VR which controls the vertical position of the picture. If the vertical position of the picture is not at the center of the picture tube, adjust the vertical position by turning this control.

SCREEN ADJUSTMENT

It is important to adjust the screen volume in auto white balance system. Receive cross hatch signal. Set the contrast and bright volume to a maximum position. Turn the screen volume (see fig. 10) to the clockwise until find out retrace line. After that, Turn the screen volume to the unclockwise until just disappear point. Confirm the state of video cut off with contrast and bright control. If unstable cutoff screen, readjust with above action.

COLOR PURITY ADJUSTMENT

For best results, it is recommended that the purity adjustment be made in the final location. If the monitor will be moved, perform this adjustment with it facing east or west. The monitor must have been operating 15 minutes prior to this procedure and the faceplate of the CRT must be at room temperature. The monitor is equipped with an automatic degaussing circuit. However, if the CRT shadow mask has become excessively magnetized, it may be necessary to degauss it with a manual coil. Do not switch the coil OFF while the raster shows any effect from the coil. Purity magnets are used for color purity and vert, centering adjustment. Purity adjustment procedure is as follows.

NOTE:

Before attempting any purity adjustments, the receiver should be operated for at least 15 minutes.

1. Demagnetize the picture tube and cabinet using a degaussing coil.
2. Turn the CONTRAST and BRIGHTNESS controls to maximum.
3. Open the R509 and R529 to provide only a green raster.
4. Loosen the clamp screw holding the yoke, and slide the yoke backward to provide vertical green belt (zone) in the picture screen.
5. Remove the Rubber Wedges.
6. Rotate and spread the tabs of the purity magnet (See Fig. 7) around the neck of the picture tube until the green belt is in the center of the screen. At the same time, center the raster vertically.
7. Move the yoke slowly forward until a uniform green screen is obtained.
Tighten the clamp screw of the yoke temporarily.
8. Check the purity of the red and blue raster by opening the cathode resistor.
9. Obtain a white raster, referring to "Black and white tracking". (Sold the opened resistor)
10. Proceed with convergence adjustment.

STATIC CONVERGENCE ADJUSTMENT

A recently developed deflection yoke and electron guns construction has been used on this equipment in combination with in-line guns and black strips screen to make a barrel-type magnetic-field distribution for vertical deflection and pin-cushion-type magnetic field for horizontal deflection with which a self-converging system can be obtained, this type is different from conventional unity magnetic field distribution type deflection yoke, 4-pole magnets and 6-pole magnets are employed for static convergence instead of a convergence yoke.

1. A crosshatch signal should be connected to the video input terminal of the monitor.
2. Adjust the BRIGHTNESS and CONTRAST controls for well defined pattern.
3. Adjust two tabs of the 4-pole Magnets to change the angle between them (See Fig. 11) and superimpose red and blue vertical lines in the center area of the picture screen. (See Fig. 12)
4. Turn both tabs at the same time keeping their angles constant to superimpose red and blue horizontal lines at the center of the screen. (See Fig. 12)
5. Adjust two tabs of 6-pole Magnets to superimpose red/blue line with green one. Adjust the angle affects the vertical lines and rotating both magnets affects the horizontal lines.
6. Repeat adjustments 3, 4, 5 keeping in mind red, green and blue movement, because 4-pole Magnets and 6-pole Magnets interact and make dot movement complex.

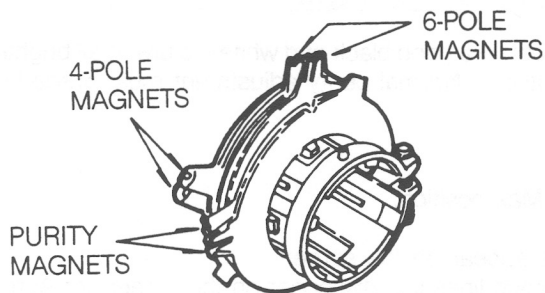


Fig. 11 CONVERGENCE MAGNET ASSEMBLY

ADJUST THE ANGLE
(VERTICAL LINES)

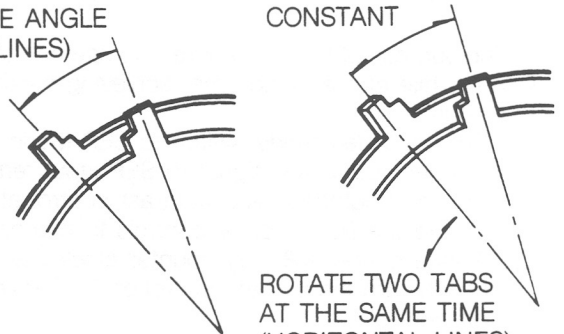


Fig. 13 ADJUSTMENT OF MAGNETS

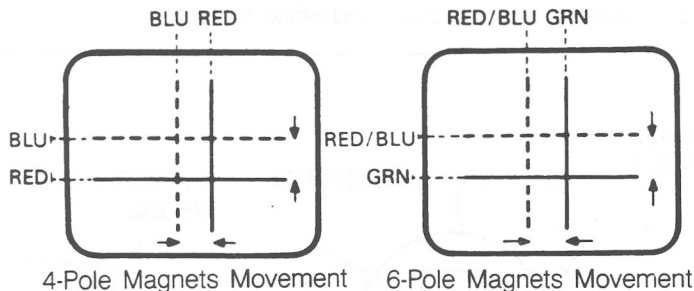


Fig. 12 CENTER CONVERGENCE BY CONVERGENCE MAGNETS

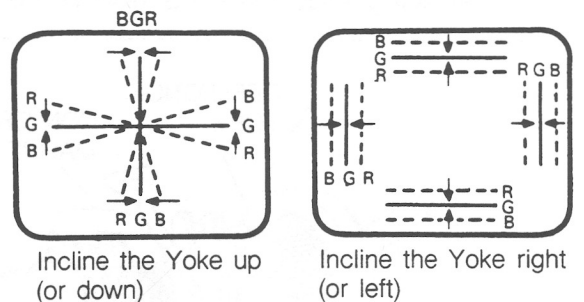


Fig. 14 CIRCUMFERENCE CONVERGENCE BY DEF. YOKE

PRECISE ADJUSTMENT OF DYNAMIC CONVERGENCE (SEE FIG. 11-16)

NOTE:

This adjustment requires trubber Wedge Kit.

1. Loosen the clamping screw of deflection yoke to allow the yoke to tilt.
2. Place a wedge as shown in Fig. 15 temporarily. (Do not remove cover paper on adhesive part of the wedge).
3. Tilt front of the deflection yoke up or down to obtain better convergence in circumference. (see Fig. 14) Push the mounted wedge into the space between picture tube and the yoke to hold the yoke temporarily.
4. Place other wedge into bottom space and remove the cover paper to slick.
5. Tilt front of the yoke right or left to obtain better convergence in circumference. (See Fig. 14)
6. Hold the yoke position and put another wedge in either upper space.
7. Detach the temporarily mounted wedge and put it in another upper space. Stick it on picture tube to fix the yoke.
8. After placing three wedges, recheck overall convergence. Tighten the screw firmly to hold the yoke tightly in place.
9. Stick 3 adhesive tapes on wedges as shown in Fig. 15.

BLACK AND WHITE TRACKING

The purpose of this procedure is to optimize the picture tube to obtain a good black and white picture at all brightness levels, while at the same time, achieving maximum usable brightness. Normal purity adjustment must precede this procedure.

1. Set the Video mode switch to SEP Mode position.
2. Connect the black signal to SEP input terminal.
3. Set the brightness and contrast control at the mechanical Max position.
4. Rotate the R.G.B. drive controls to midrange.
5. Rotate screen VR fully counter clockwise until retrace lines appear on the screen.
6. Slowly turn the screen control on FBT anticlockwise until retrace lines just disappear on the screen for Auto Cut off control.
7. Receive the white signal.
8. Adjust R.G.B. drive controls (R412, R413, R414) to produce a hi-lite white screen.
9. Set the brightness and picture controls to minimum. Then, the raster should appear dark.
10. Move the brightness control until a dim raster is obtained.
11. If necessary, touch-up adjustment of the screen controls to obtain best white uniformity on the CRT screen.
12. Set the brightness and picture controls at the mechanical center position. If necessary adjust the R.G.B. drive controls to produce a uniform black and white picture.

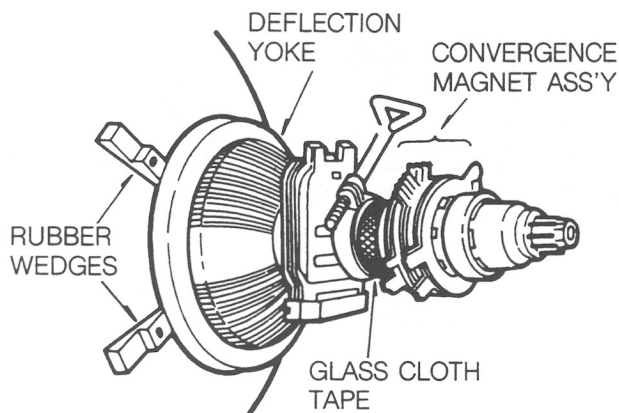


Fig. 15 Rubber Wedges Location

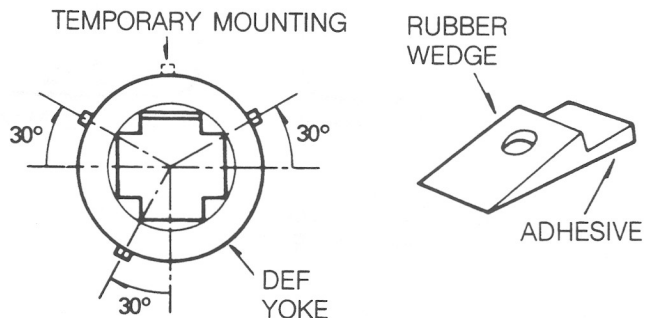


Fig. 16 Picture Tube Neck Components Location

SERVICE INFORMATION

1. REAR CONNECTION PANEL

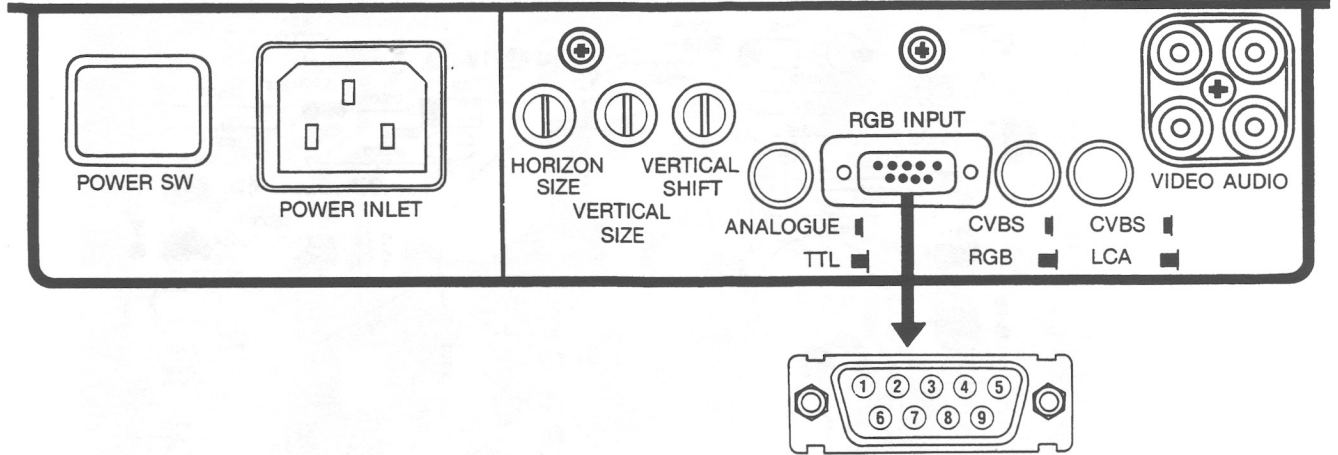


Fig. 17

Pin. No.	DIGITAL	ANALOG
1	Ground	Ground
2	Ground	Ground
3	Red	Red
4	Green	Green
5	Blue	Blue
6	Intensity	—
7	—	Sync.
8	H. Sync.	—
9	V. Sync.	—
Shell	Shield	Shield
Polarity	Video.....Positive Sync.....Negative or Positive	Video.....Positive Sync.....Negative

2. NECK P.C. BOARD

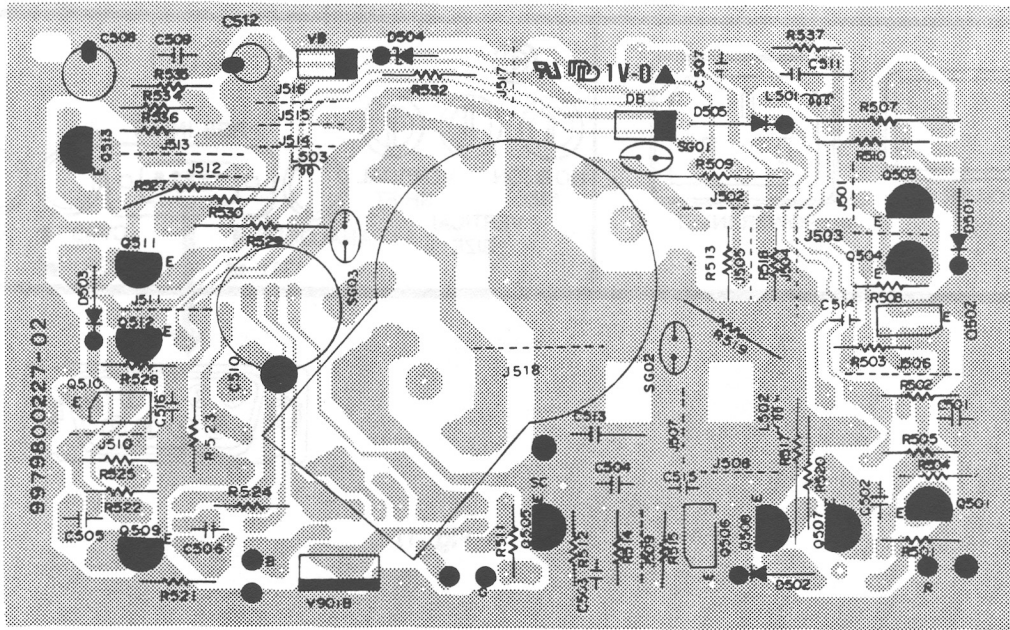


Fig. 18-a Top View

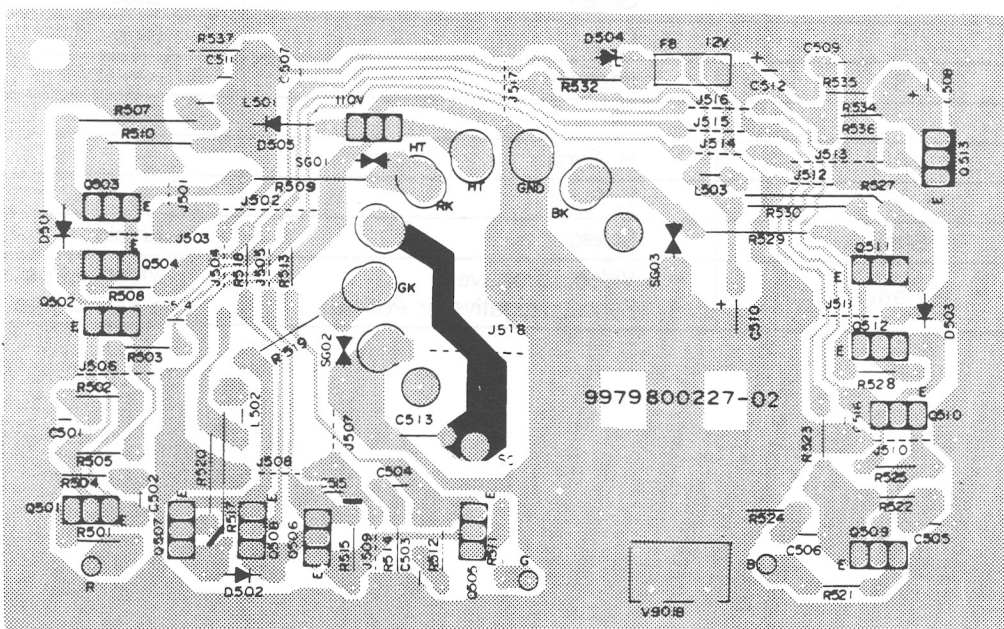


Fig. 18-b Bottom View

3. EARPHONE P.C. BOARD

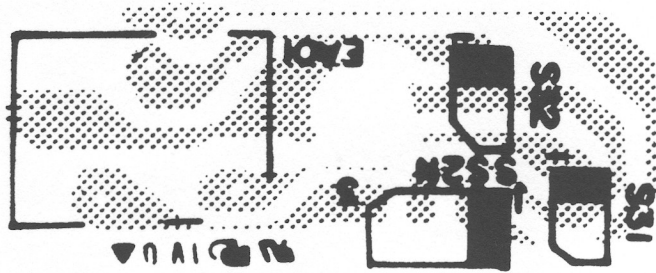


Fig. 19 Top View

4. LED P.C. BOARD

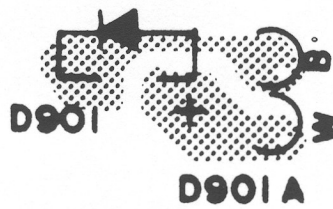
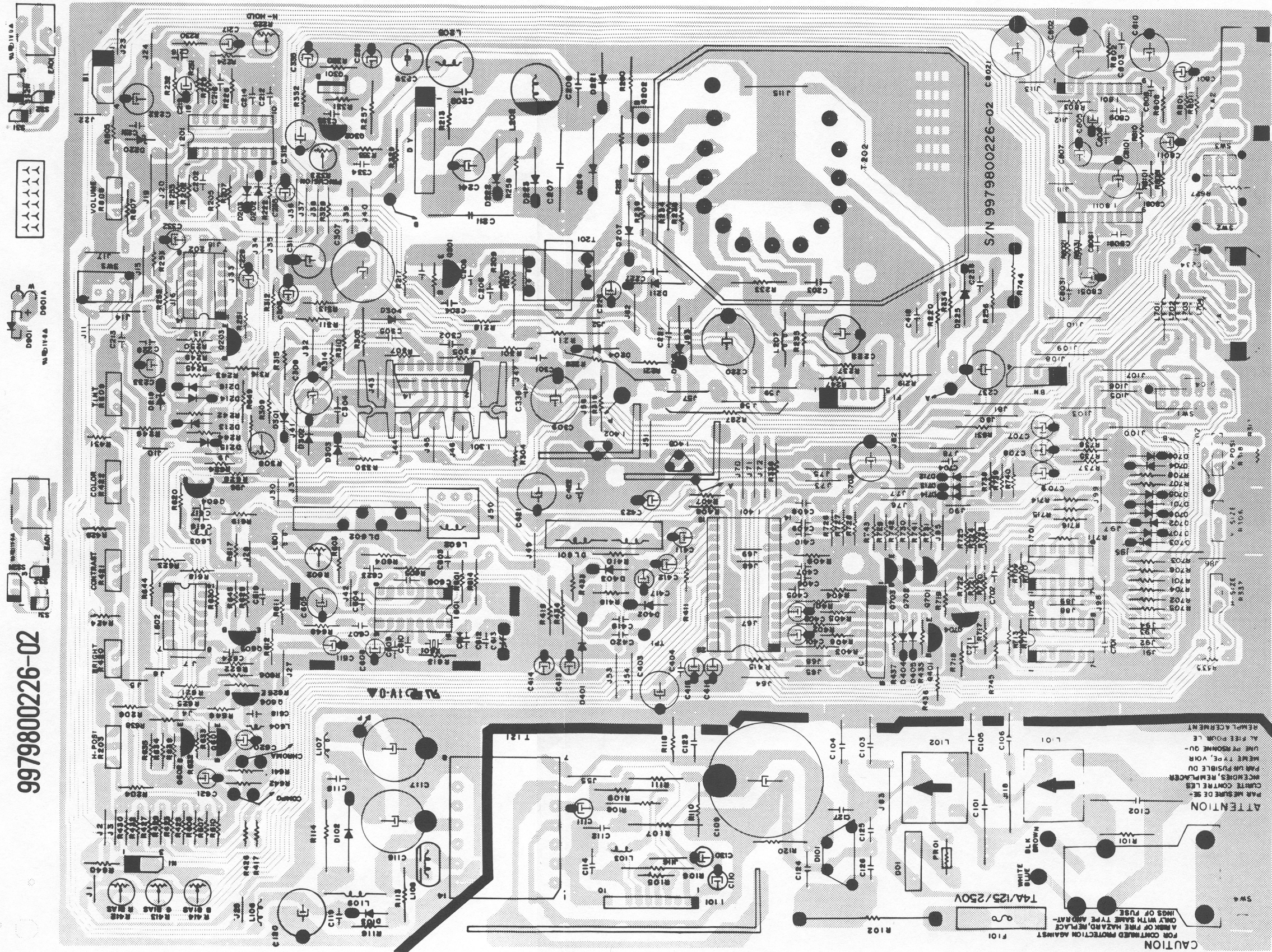


Fig. 20 Top View

5. MAIN P.C. BOARD



9979800226-02

Fig. 21-a Top View

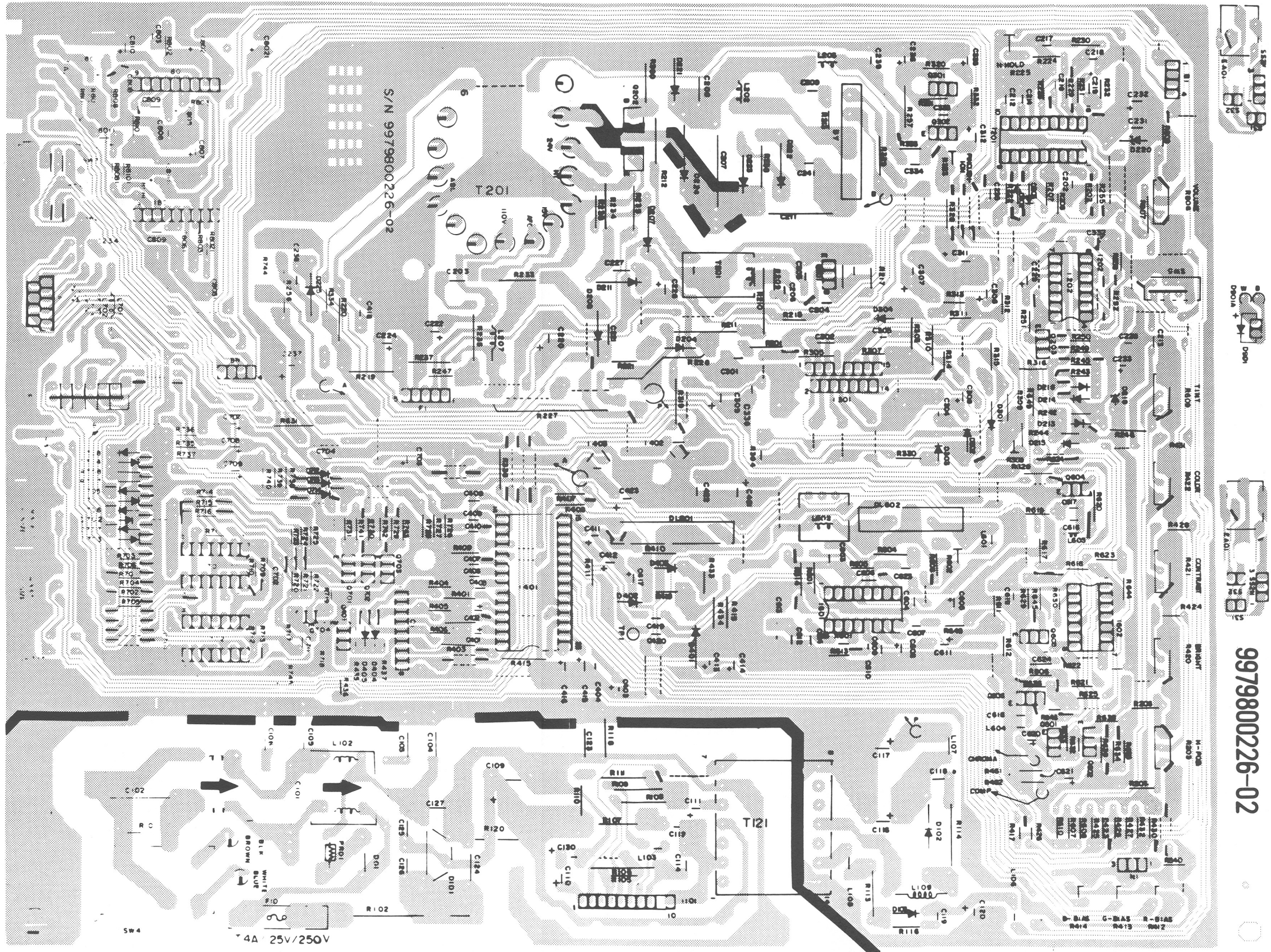
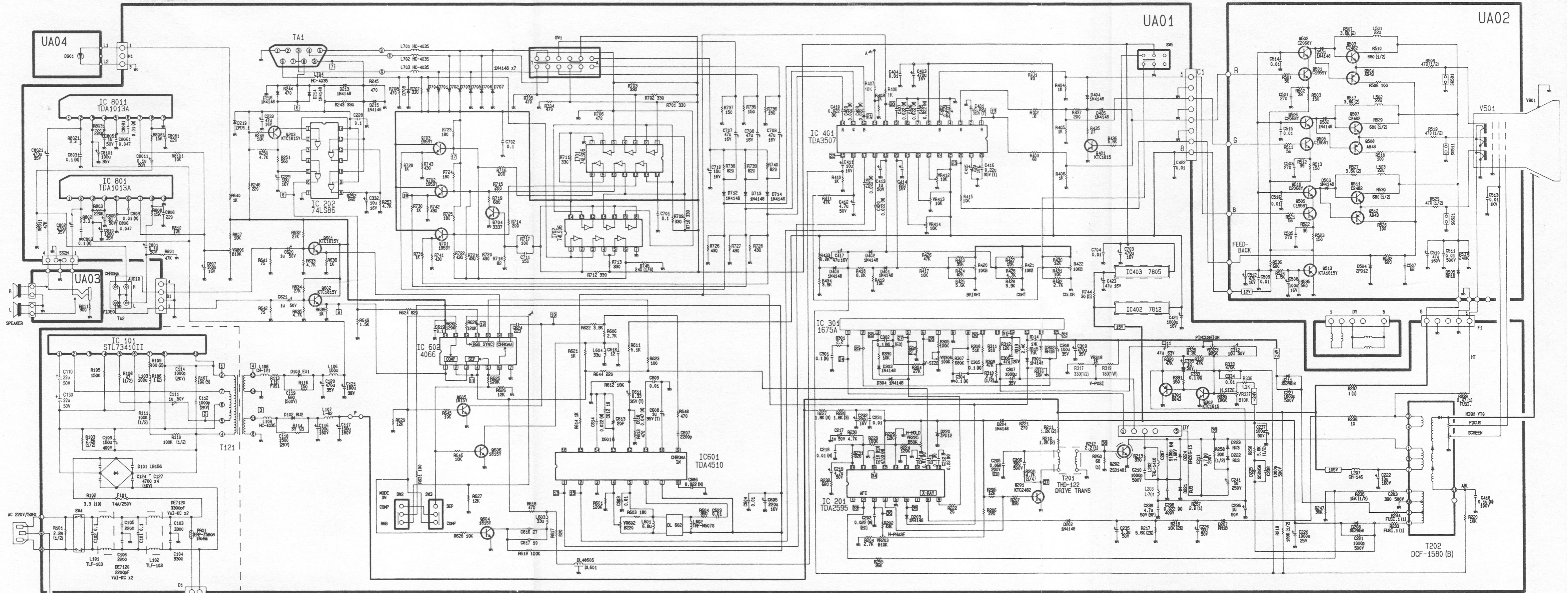


Fig. 21-b Bottom View

SCHEMATIC DIAGRAM OF CHASSIS NO A-17

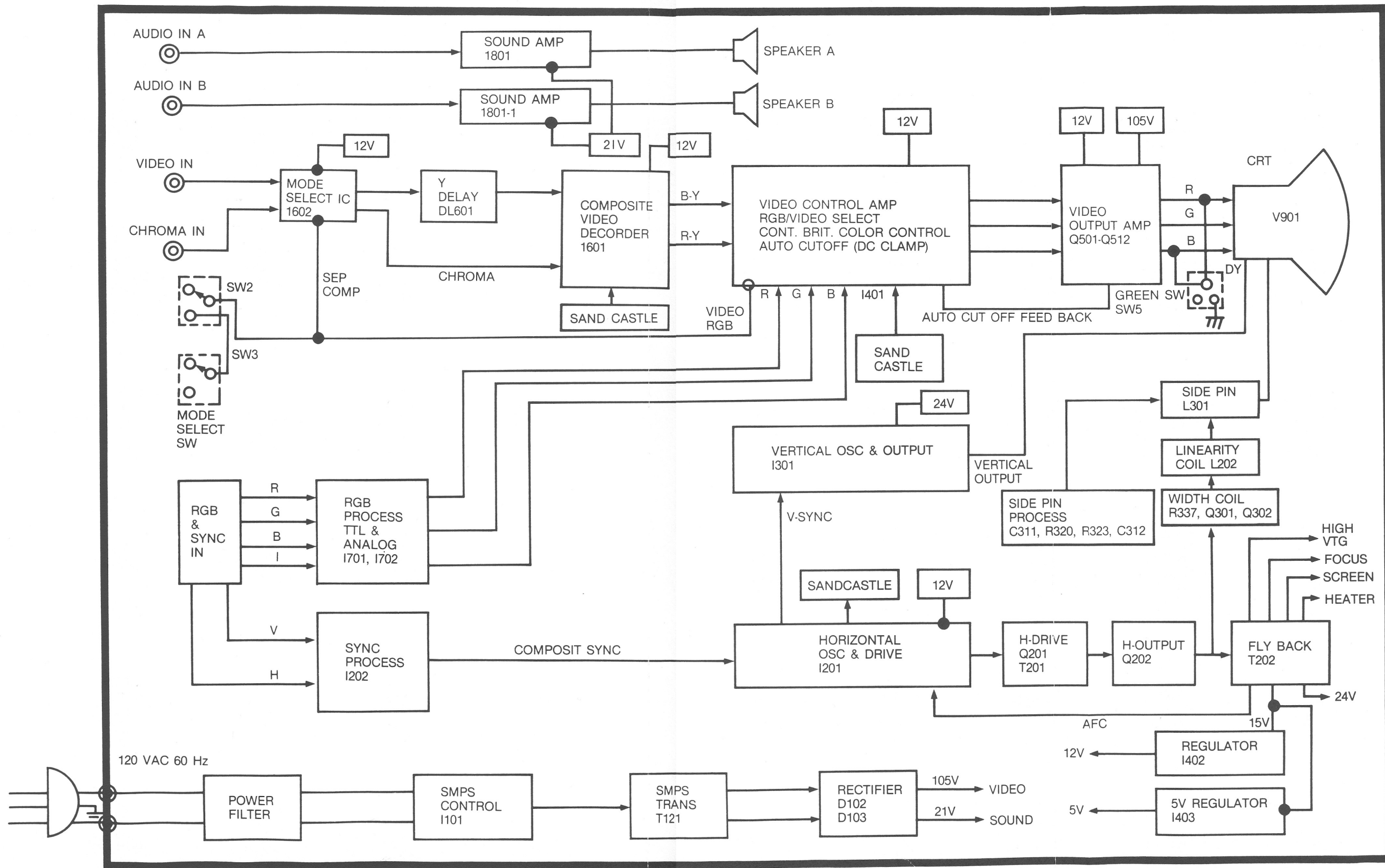


NOTE

1. RESISTANCE IS SHOWN IN OHM, K=1000, M=1000000.
2. UNLESS OTHERWISE NOTED IN SCHEMATIC ALL RESISTOR VALUES ARE 1/4 WATT.
3. UNLESS OTHERWISE NOTED IN SCHEMATIC ALL CAPACITOR VALUES LESS THAN 1 ARE EXPRESSED IN UF AND THE VALUES MORE THAN 1 ARE EXPRESSED IN D.F.
4. UNLESS OTHERWISE NOTED IN SCHEMATIC ALL INDUCTOR VALUES MORE THAN 1 ARE EXPRESSED IN uH AND THE VALUES LESS THAN 1 ARE EXPRESSED IN H.

BLOCK DIAGRAM OF CHASSIS NO A-17

COMMODORE MONITOR 1084 SD1



PARTS LIST

#NOTE: * Mark : X-RAY RADIATION RELATED PARTS

! Mark : SAFETY RELATED PARTS

@ Mark : CRITICAL PARTS

602313—XXX

LOC	CBM PN	OEM-CODE	PART-NAME	PART-DESC
00010	602313-188	9970190086	PCB MAIN AS	CMC-1410PR
B 1	602313-107	97P6262900	CONN WAFER	YMW-025-04 2.5MM
BN	602313-096	9970740008	CONN AS	YBH025-04 + 1185#26 = 380
C 1	602313-109	97P6263300	CONN WAFER	YMW-025-08 2.5MM
C101	602313-062	CLYL2E474M	C LINE ACROSS	250V 0.47MF M U,C
C102	602313-062	CLYL2E474M	C LINE ACROSS	250V 0.47MF M U,C
C103	602313-105	CCYB3G332M	C CERA	DE7120F 3300PF M VA1-KC
A		CLYS2E332M	C LINE ACROSS	AC 250V 0.0033MF M
C104	602313-015	CCYB3G332M	C CERA	DE7120F 3300PF M VA1-KC
A		CLYS2E332M	C LINE ACROSS	AC 250V 0.0033MF M
C105	602313-014	CCXB3G222M	C CERA	DE7100 222 M KAI-KC
A		CLYS2E222M	C LINE ACROSS	AC 250V 0.0022MF M
C106	602313-014	CCXB3G222M	C CERA	DE7100 222 M KAI-KC
A		CLYS2E222M	C LINE ACROSS	AC 250V 0.0022MF M
@ C109	602313-054	CEYN2G151T	C ELECTRO	400V 150MF FWS 35 × 40
C110	602313-059	CEXE1H220A	C ELECTRO	50V 22MF RS 6.3 × 11 TAPING
C111	602313-057	CEXE1H109A	C ELECTRO	50V 1MF RS 5 × 11 TAPING
C112	602313-017	CBXB3D102K	C CERA	HIKB 2KV 1000PF K DF = 0.5%
C114	602313-017	CBXB3D102K	C CERA	HIKB 2KV 1000PF K DF = 0.5%
C116	602313-033	CEYE2C101A	C ELECTRO	160V 100MF RS 16 × 35.5
C117	602313-033	CEYE2C101A	C ELECTRO	160V 100MF RS 16 × 35.5
C118	602313-018	CCXB3D152K	C CERA	HIKB 2KV 1500PF K
C119	602313-023	CCXB2H681K	C CERA	HIKB 500V 680PF K TAPING
C120	602313-052	CEXE1V471V	C ELECTRO	35V 470MF RSS 10 × 20
C121	602313-049	CEXF1V101V	C ELECTRO	35V 100MF RSS 8 × 11.5
C124	602313-028	CCXF3A472Z	C CERA	HIKF 1KV 4700PF Z
C125	602313-028	CCXF3A472Z	C CERA	HIKF 1KV 4700PF Z
C126	602313-028	CCXF3A472Z	C CERA	HIKB 1KV 4700PF Z
C127	602313-028	CCXF3A472Z	C CERA	HIKB 1KV 4700PF Z
C130	602313-059	CEXE1H220A	C CERA	50V 22MF RS 6.3 × 11 TAPING
C202	602313-065	CMXM2A223K	C MYLAR	100V 0.022MF K TAPING
C203	602313-021	CCXB2H391K	C CERA	HIKB 500V 390PF K
C205	602313-073	CMXB2D683J	C MYLAR	200V 0.068 MF J (ED)
C206	602313-022	CCXB2H561K	C CERA	HIKB 500V 560PF K TAPING
* @ C207	602313-063	CMXH3C912J	C MYLAR	1.6KV 9100 PF J BUP
C208	602313-075	CMXE2G223J	C MYLAR	400V 0.022MF J (PL)
C210	602313-020	CCXB2H102K	C CERA	HIKB 500V 1000PF K
@ C211	602313-074	CMXF2D704J	C MYLAR	200V 0.7MF J MPP
C212	602313-071	CMXM2A224J	C MYLAR	100V 0.22MF J
C213	602313-068	CMXM2A104J	C MYLAR	100V 0.1MF J TAPING
C214	602313-064	CMXM2A103J	C MYLAR	100V 0.01MF J TAPING
C216	602313-072	CMXB2A472J	C MYLAR	100V 4700PF J (ED)
C217	602313-057	CEXE1H109A	C ELECTRO	50V 1MF RS 5 × 11 TAPING

LOC	CBM PN	OEM-CODE	PART-NAME	PART-DESC
C218	602313-064	CMXM2A103J	C MYLAR	100V 0.01MF J TAPING
C219	602313-119	CEXE1H479A	C ELECTRO	50V 4.7MF RS 5×11 TAPING
C220	602313-046	CEYE1E102C	C ELECTRO	25V 1000MF RU 16×25
C221	602313-020	CCXB2H102K	C CERA	HIKB 500V 1000PF K TAPING
C222	602313-034	CEYE2C100A	C ELECTRO	160V 10MF RS 10×20
C226	602313-122	CEXE1H100C	C ELECTRO	50V 10MF RU 5×11
C227	602313-020	CCXB2H102K	C CERA	HIKB 500V 1000PF K TAPING
C228	602313-032	CBXF1H104Z	C CERA SEMI	HIKF 50V 0.1MF Z TAPING
C229	602313-038	CEXE1C100A	C ELECTRO	16V 10MF RS 5×11 TAPING
C231	602313-029	CCXF1H103Z	C CERA	HIKF 50V 0.01MF Z TAPING
C232	602313-039	CEXF1C221V	C ELECTRO	16V 220MF RSS 8×11.5
C233	602313-043	CEXE1C470A	C ELECTRO	16V 47MF RS=6.3 ×11 TAPING
C235	602313-132	CEXE1H339A	C ELECTRO	50V 3.3MF RS 5×11 TAPING
C236	602313-057	CEXE1H109A	C ELECTRO	50V 1MF RS 5×11 TAPING
C237	602313-056	CEXF1H101V	C ELECTRO	50V 100MF RSS 8×11.5
C238	602313-020	CCXB2H102K	C CERA	HIKB 500V 1000PF K TAPING
C239	602313-060	CEXD1H479F	C ELECTRO	50V 4.7MF RND 6.3×11
C241	602313-045	CEXE2E109A	C ELECTRO	250V 1MF RS 8×11.5 TAPING
C301	602313-069	CMXB2A104J	C MYLAR	100V 0.1MF J TAPING
C302	602313-068	CMXM2A104J	C MYLAR	100V 0.1MF J (ED)
C304	602313-068	CMXM2A104J	C MYLAR	100V 0.1MF J TAPING
C305	602313-068	CMXM2A104J	C MYLAR	100V 0.1MF J TAPING
C306	602313-047	CEXE1E470A	C ELECTRO	25V 47MF RS 6.3×11 TAPING
C307	602313-048	CEXF1V102V	C ELECTRO	35V 1000MF RSS 13×25
C308	602313-049	CEXF1V101V	C ELECTRO	35V 100MF RSS 8×11.5
C309	602313-053	CEYE1V471C	C ELECTRO	35V 470MF RU 13×25
C311	602313-061	CEYE1J470A	C ELECTRO	63V 47MF RS 10×12.5
C312	602313-134	CEXE1H100A	C ELECTRO	50V 10MF RS 5×11 TAPING
C332	602313-038	CEXE1C100A	C ELECTRO	16V 10MF RS 5×11 TAPING
C333	602313-068	CMXM2A104J	C MYLAR	100V 0.1MF J TAPING
C334	602313-029	CCXF1H103Z	C CERA	HIKF 50V 0.01MF Z TAPING
C335	602313-057	CEXE1H109A	C ELECTRO	50V 1MF RS 5×11 TAPING
C401	602313-076	CTXD1V228K	C TANTAL	35V 0.22MF K TAPING
C402	602313-076	CTXD1V228K	C TANTAL	35V 0.22MF K TAPING
C403	602313-041	CEYF1C471V	C ELECTRO	16V 470MF RSS 10×2.5
C404	602313-029	CCXF1H103Z	C CERA	HIKF 50V 0.01MF Z TAPING
C405	602313-065	CMXM2A223K	C MYLAR	100V 0.022MF K TAPING
C406	602313-065	CMXM2A223K	C MYLAR	100V 0.022MF K TAPING
C407	602313-065	CMXM2A223K	C MYLAR	100V 0.022MF K TAPING
C408	602313-065	CMXM2A223K	C MYLAR	100V 0.022MF K TAPING
C409	602313-065	CMXM2A223K	C MYLAR	100V 0.022MF K TAPING
C410	602313-065	CMXM2A223K	C MYLAR	100V 0.022MF K TAPING
C411	602313-038	CEXE1C100A	C ELECTRO	16V 10MF RS 5×11 TAPING
C412	602313-050	CEXE1V479A	C ELECTRO	35V 4.7MF RS 5×11 TAPING
C413	602313-057	CEXE1H109A	C ELECTRO	50V 1MF RS 5×11 TAPING
C414	602313-040	CEXE1C220A	C ELECTRO	16V 22MF RS 5×11 TAPING
C415	602313-040	CEXE1C220A	C ELECTRO	16V 22MF RS 5×11 TAPING

LOC	CBM PN	OEM-CODE	PART-NAME	PART-DESC
C416	602313-076	CTXD1V228K	C TANTAL	35V 0.22MF K TAPING
C417	602313-043	CEXE1C470A	C ELECTRO	16V 47MF RS 6.3×11 TAPING
C418	602313-070	CMXM2A104K	C MYLAR	100V 0.1MF K TAPING
C419	602313-065	CMXM2A223K	C MYLAR	100V 0.022MF K TAPING
C420	602313-065	CMXM2A223K	C MYLAR	100V 0.022MF K TAPING
C421	602313-036	CEXF1C102V	C ELECTRO	16V 1000MF RSS 10×20
C422	602313-029	CCXF1H103Z	C CERA	HIKF 50V 0.01MF Z TAPING
C423	602313-058	CEXE1H229A	C ELECTRO	50V 2.2MF RS 5×11 TAPING
C603	602313-029	CCXF1H103Z	C CERA	HIKF 50V 0.01MF Z TAPING
C604	602313-029	CCXF1H103Z	C CERA	HIKF 50V 0.01MF Z TAPING
C605	602313-039	CEXF1C221V	C ELECTRO	16V 220MF RSS 8×11.5 TAPING
C606	602313-065	CMXM2A223K	C MYLAR	100V 0.022MF K TAPING
C607	602313-026	CCXB1H222K	C CERA	HIKB 50V 2200PF K TAPING
C608	602313-078	CTXD1V109K	C TANTAL	35V 1MF K TAPING
C609	602313-029	CCXF1H103Z	C CERA	HIKF 50V 0.01MF Z TAPING
C610	602313-067	CMXM2A473K	C MYLAR	100V 0.047MF K TAPING
C611	602313-077	CTXD1V338K	C TANTAL	35V 0.33MF K TAPING
C612	602313-010	CXCH1H100D	C CERA	CH 50V 10PF D (TAPING)
C613	602313-079	4850L00300	C TRIMMER	TZ03R 200F (4-20PF)
C614	602313-065	CMXM2A223K	C MYLAR	100V 0.022MF K TAPING
C616	602313-012	CXCH1H270J	C CERA	CH 50V 27PF J TAPING
C617	602313-010	CXCH1H100D	C CERA	CH 50V 10PF D TAPING
C618	602313-011	CXCH1H120J	C CERA	CH 50V 12PF J TAPING
C619	602313-032	CBXF1H104Z	C CERA SEMI	HIKF 50V 0.1MF Z TAPING
C620	602313-057	CEXE1H109A	C ELECTRO	50V 1MF RS 5×11 TAPING
C621	602313-134	CEXE1H100A	C ELECTRO	50V 10MF RS 5×11 TAPING
C624	602313-030	CCXF1H223Z	C CERA	HIKF 50V 0.022MF Z TAPING
C701	602313-032	CBXF1H104Z	C CERA SEMI	HIKF 50V 0.1MF Z TAPING
C702	602313-032	CBXF1H104Z	C CERA SEMI	HIKF 50V 0.1MF Z TAPING
C703	602313-042	CEYE1C471A	C ELECTRO	16V 470MF RS 10×20
C704	602313-029	CCXF1H103Z	C CERA	HIKF 50V 0.01MF Z TAPING
C707	602313-044	CEXF1C470V	C ELECTRO	16V 47MF RSS 5×11 TAPING
C708	602313-044	CEXF1C470V	C ELECTRO	16V 47MF RSS 5×11 TAPING
C709	602313-044	CEXF1C470V	C ELECTRO	16V 47MF RSS 5×11 TAPING
C711	602313-025	CCXB1H151K	C CERA	HIKB 50V 150PF K TAPING
C712	602313-038	CEXE1C100A	C ELECTRO	16V 10MF RS 5×11 TAPING
C801	602313-055	CEXE1H108A	C ELECTRO	50V 0.1MF RS 5×11 TAPING
C8011	602313-055	CEXE1H108A	C ELECTRO	50V 0.1MF RS 5×11 TAPING
C802	602313-051	CEYE1V471A	C ELECTRO	35V 470MF RS 13×25
C8021	602313-051	CEYE1V471A	C ELECTRO	35V 470MF RS 13×25
C803	602313-068	CMXM2A104J	C MYLAR	100V 0.1MF J TAPING
C8031	602313-068	CMXM2A104J	C MYLAR	100V 0.1MF J TAPING
C805	602313-057	CEXE1H109A	C ELECTRO	50V 1MF RS 5×11 TAPING
C8051	602313-057	CEXE1H109A	C ELECTRO	50V 1MF RS 5×11 TAPING
C806	602313-031	CCXF1H473Z	C CERA	HIKF 50V 0.047MF Z TAPING
C8061	602313-031	CCXF1H473Z	C CERA	HIKF 50V 0.047MF Z TAPING
C807	602313-037	CEXE1C101A	C ELECTRO	16V 100MF RS 8×11.5

LOC	CBM PN	OEM-CODE	PART-NAME	PART-DESC
C808	602313-027	CCXB1H221K	C CERA	HIKB 50V 220PF K TAPING
C8081	602313-027	CCXB1H221K	C CERA	HIKB 50V 220PF K TAPING
C809	602313-064	CMXM2A103J	C MYLAR	100V 0.01MF J TAPING
C8091	602313-064	CMXM2A103J	C MYLAR	100V 0.01MF J TAPING
C810	602313-049	CEXF1V101V	C ELECTRO	35V 100MF RSS 8×11.5
C8101	602313-049	CEXF1V101V	C ELECTRO	35V 100MF RSS 8×11.5
DY	602313-104	4859240020	CONN WAFER	YFW500-05
DL601	602313-088	58Q0000019	COIL DELAY LINE	DL04060B
DL602	602313-090	58Q0000029	COIL DELAY LINE	SD-11PAL (4.433619 MHz)
A		58Q0000034	COIL DELAY LINE	ADL-CP144
A		58Q4430008	COIL DELAY LINE	PDL-P44KIP (4.43 MHz)
D01	602313-193	4857416100	PIN B TERM PRES	BSBP1
@ D101	602313-137	DLB156---	DIODE BRIDGE	LB156
!@ D102	602313-129	D1N4936---	DIODE	1N4936
D103	602313-129	D1N4936---	DIODE	1N4936
D11	602313-087	5MG0000006	COIL DEGAUSSING	JD-6085
D202	602313-128	DZN4148---	DIODE	1N4148 AUTO 52MM
* D203	602313-128	DZN4148---	DIODE	1N4148 AUTO 52MM
D204	602313-128	DZN4148---	DIODE	1N4148 AUTO 52MM
@ D207	602313-130	DBA159---	DIODE	BA159
A	602313-133	DRH1B----	DIODE	RH-1B
D208	602313-136	DS5295G---	DIODE	S5295G
A		DBA157----	DIODE	BA157
A		DRF1-----	DIODE	RF-1
A		D1N4936---	DIODE	1N4936
D211	602313-136	DS5295G---	DIODE	S5295G
A		DBA157----	DIODE	BA157
A		DRF1-----	DIODE	RF-1
A		D1N4936---	DIODE	1N4936
* D213	602313-128	DZN4148---	DIODE	1N4148 AUTO 52MM
* D214	602313-128	DZN4148---	DIODE	1N4148 AUTO 52MM
* D215	602313-128	DZN4148---	DIODE	1N4148 AUTO 52MM
* D216	602313-128	DZN4148---	DIODE	1N4148 AUTO 52MM
D219	602313-356	DDZ5R1B---	ZENER DIODE	DZ-5.1B
D220	602313-138	DDZ12BN---	DIODE ZENER	DZ12BM
D221	602313-135	DRU3-----	DIODE	RU-3
D222	602313-135	DRU3-----	DIODE	RU-3
D223	602313-135	DRU3-----	DIODE	RU-3
D224	602313-131	DERC06-15-	DIODE	ERC06-15
D225	602313-136	DS5295G---	DIODE	S5295G
A		DBA157----	DIODE	BA157
A		DRF1-----	DIODE	RF-1
A		D1N4936---	DIODE	1N4936
D301	602313-128	DZN4148---	DIODE	1N4148 AUTO 52MM
D302	602313-130	DBA159---	DIODE	BA159
D303	602313-128	DZN4148---	DIODE	1N4148 AUTO 52MM
D304	602313-128	DZN4148---	DIODE	1N4148 AUTO 52MM

LOC	CBM PN	OEM-CODE	PART-NAME	PART-DESC
D401	602313-128	DZN4148---	DIODE	1N4148 AUTO 52MM
D402	602313-128	DZN4148---	DIODE	1N4148 AUTO 52MM
D403	602313-128	DZN4148---	DIODE	1N4148 AUTO 52MM
D404	602313-128	DZN4148---	DIODE	1N4148 AUTO 52MM
D405	602313-128	DZN4148---	DIODE	1N4148 AUTO 52MM
D701	602313-128	DZN4148---	DIODE	1N4148 AUTO 52MM
D703	602313-128	DZN4148---	DIODE	1N4148 AUTO 52MM
D704	602313-128	DZN4148---	DIODE	1N4148 AUTO 52MM
D705	602313-128	DZN4148---	DIODE	1N4148 AUTO 52MM
D706	602313-128	DZN4148---	DIODE	1N4148 AUTO 52MM
D707	602313-128	DZN4148---	DIODE	1N4148 AUTO 52MM
D708	602313-128	DZN4148---	DIODE	1N4148 AUTO 52MM
D712	602313-128	DZN4148---	DIODE	1N4148 AUTO 52MM
D713	602313-128	DZN4148---	DIODE	1N4148 AUTO 52MM
D714	602313-128	DZN4148---	DIODE	1N4148 AUTO 52MM
F 1	602313-108	97P6263000	CONN WAFER	YMW-025-05 2.5MM
*!@ F101	602313-148	5FSGB4022L	FUSE	SEMKO MF51 4A 250V TL
F101B	602313-149	4857415000	FUSE CLIP	BSP3-H TO.4 SN 5.2
I101	602313-162	1STK734102	IC	STK73410II
I101A	602313-154	9977015900	HEAT SINK A	A1050P-H24 T2.0
I101B	602313-301	7128301411	SCREW TAPPING	T2S WAS 3×14 MFZN
I101C	602313-355	4856812200	WIRE SADALE	NYLON 66
*!@ I201	602313-166	1TDA2595--	IC	TDA2595
I202	602313-172	120386----	IC TTL	PD74LS86
@ I301	602313-165	1TDA1675A	IC	TDA1675A
I301A	602313-144	9977012301	HEAT SINK SLAT	A1050P H24
I301B	602313-303	9976410500	SHAFT	SWRM SN PLATE
I301C	602313-294	7125300811	SCREW TAPPING	T2S FLT 3×8 MFZN
I401	602313-167	1TDA3507--	IC	TDA3507
I402	602313-170	1K1A78012-	IC	KIA78012AP + 12VDC 1A
@ I402A	602313-157	4857013300	HEAT SINK C	SPCC T1.0 SN-3
I402B	602313-296	7121300611	SCREW TAPPING	T2S PAN 3×6 MFZN
I403	602313-171	1K1A7805--	IC REGULATOR	KIA7805AP
I403A	602313-157	4857013300	HEAT SINK C	SPCC T1.0 SN-3
I403B	602313-296	7121300611	SCREW TAPPING	T2S PAN 3×6 MFZN
I601	602313-168	1TDA4510--	IC	TDA4510
I602	602313-169	1UPD4066BC	IC	UPD4066BC
I701	602313-173	1SN7406---	IC TTL	SN7406
I702	602313-173	1SN7406---	IC TTL	SN7406
I801	602313-163	1TDA1013A-	IC	TDA1013A
I8011	602313-163	1TDA1013A-	IC	TDA1013A
J1	602313-351	W581GY7595	WIRE JUMPER	AWG22 1/0.65 SN 7.5 AUTO
J2	602313-348	W581GY1005	WIRE JUMPER	AWG22 1/0.65 SN 10 AUTO
J3	602313-348	W581GY1005	WIRE JUMPER	AWG22 1/0.65 SN 10 AUTO
J4	602313-351	W581GY7595	WIRE JUMPER	AWG22 1/0.65 SN 7.5 AUTO
J5	602313-351	W581GY7595	WIRE JUMPER	AWG22 1/0.65 SN 7.5 AUTO
J6	602313-351	W581GY7595	WIRE JUMPER	AWG22 1/0.65 SN 7.5 AUTO

LOC	CBM PN	OEM-CODE	PART-NAME	PART-DESC
J7	602313-348	W581GY1005	WIRE JUMPER	AWG22 1/0.65 SN 10 AUTO
J9	602313-351	W581GY7595	WIRE JUMPER	AWG22 1/0.65 SN 7.5 AUTO
J10	602313-351	W581GY7595	WIRE JUMPER	AWG22 1/0.65 SN 7.5 AUTO
J11	602313-351	W581GY7595	WIRE JUMPER	AWG22 1/0.65 SN 7.5 AUTO
J13	602313-349	W581GY12J5	WIRE JUMPER	AWG22 1/0.65 SN 12.5 AUTO
J14	602313-349	W581GY12J5	WIRE JUMPER	AWG22 1/0.65 SN 12.5 AUTO
J15	602313-348	W581GY1005	WIRE JUMPER	AWG22 1/0.65 SN 10 AUTO
J16	602313-348	W581GY1005	WIRE JUMPER	AWG22 1/0.65 SN 10 AUTO
J17	602313-348	W581GY1005	WIRE JUMPER	AWG22 1/0.65 SN 10 AUTO
J18	602313-351	W581GY7595	WIRE JUMPER	AWG22 1/0.65 SN 7.5 AUTO
J19	602313-350	W581GY17J5	WIRE JUMPER	AWG22 1/0.65 SN 17.5 AUTO
J20	602313-350	W581GY17J5	WIRE JUMPER	AWG22 1/0.65 SN 17.5 AUTO
J22	602313-351	W581GY7595	WIRE JUMPER	AWG22 1/0.65 SN 7.5 AUTO
J23	602313-351	W581GY7595	WIRE JUMPER	AWG22 1/0.65 SN 7.5 AUTO
J24	602313-348	W581GY1005	WIRE JUMPER	AWG22 1/0.65 SN 10 AUTO
J25	602313-351	W581GY7595	WIRE JUMPER	AWG22 1/0.65 SN 7.5 AUTO
J28	602313-351	W581GY7595	WIRE JUMPER	AWG22 1/0.65 SN 7.5 AUTO
J30	602313-351	W581GY7595	WIRE JUMPER	AWG22 1/0.65 SN 7.5 AUTO
J31	602313-348	W581GY1005	WIRE JUMPER	AWG22 1/0.65 SN 10 AUTO
J32	602313-348	W581GY1005	WIRE JUMPER	AWG22 1/0.65 SN 10 AUTO
J33	602313-349	W581GY12J5	WIRE JUMPER	AWG22 1/0.65 SN 12.5 AUTO
J34	602313-349	W581GY12J5	WIRE JUMPER	AWG22 1/0.65 SN 12.5 AUTO
J35	602313-349	W581GY12J5	WIRE JUMPER	AWG22 1/0.65 SN 12.5 AUTO
J36	602313-347	W581GY1505	WIRE JUMPER	AWG22 1/0.65 SN 15 AUTO
J37	602313-349	W581GY12J5	WIRE JUMPER	AWG22 1/0.65 SN 12.5 AUTO
J38	602313-349	W581GY12J5	WIRE JUMPER	AWG22 1/0.65 SN 12.5 AUTO
J39	602313-349	W581GY12J5	WIRE JUMPER	AWG22 1/0.65 SN 12.5 AUTO
J40	602313-349	W581GY12J5	WIRE JUMPER	AWG22 1/0.65 SN 12.5 AUTO
J41	602313-349	W581GY12J5	WIRE JUMPER	AWG22 1/0.65 SN 12.5 AUTO
J42	602313-351	W581GY7595	WIRE JUMPER	AWG22 1/0.65 SN 7.5 AUTO
J43	602313-351	W581GY7595	WIRE JUMPER	AWG22 1/0.65 SN 7.5 AUTO
J44	602313-348	W581GY1005	WIRE JUMPER	AWG22 1/0.65 SN 10 AUTO
J45	602313-348	W581GY1005	WIRE JUMPER	AWG22 1/0.65 SN 10 AUTO
J46	602313-351	W581GY7595	WIRE JUMPER	AWG22 1/0.65 SN 7.5 AUTO
J47	602313-351	W581GY7595	WIRE JUMPER	AWG22 1/0.65 SN 7.5 AUTO
J49	602313-348	W581GY1005	WIRE JUMPER	AWG22 1/0.65 SN 10 AUTO
J50	602313-349	W581GY12J5	WIRE JUMPER	AWG22 1/0.65 SN 12.5 AUTO
J51	602313-348	W581GY1005	WIRE JUMPER	AWG22 1/0.65 SN 10 AUTO
J52	602313-349	W581GY12J5	WIRE JUMPER	AWG22 1/0.65 SN 12.5 AUTO
J53	602313-349	W581GY12J5	WIRE JUMPER	AWG22 1/0.65 SN 12.5 AUTO
J54	602313-349	W581GY12J5	WIRE JUMPER	AWG22 1/0.65 SN 12.5 AUTO
J55	602313-349	W581GY12J5	WIRE JUMPER	AWG22 1/0.65 SN 12.5 AUTO
J56	602313-348	W581GY1005	WIRE JUMPER	AWG22 1/0.65 SN 10 AUTO
J57	602313-349	W581GY12J5	WIRE JUMPER	AWG22 1/0.65 SN 12.5 AUTO
J58	602313-347	W581GY1505	WIRE JUMPER	AWG22 1/0.65 SN 15 AUTO
J59	602313-349	W581GY12J5	WIRE JUMPER	AWG22 1/0.65 SN 12.5 AUTO
J62	602313-348	W581GY1005	WIRE JUMPER	AWG22 1/0.65 SN 10 AUTO

LOC	CBM PN	OEM-CODE	PART-NAME	PART-DESC
J63	602313-349	W581GY12J5	WIRE JUMPER	AWG22 1/0.65 SN 12.5 AUTO
J64	602313-349	W581GY12J5	WIRE JUMPER	AWG22 1/0.65 SN 12.5 AUTO
J65	602313-348	W581GY1005	WIRE JUMPER	AWG22 1/0.65 SN 10 AUTO
J66	602313-348	W581GY1005	WIRE JUMPER	AWG22 1/0.65 SN 10 AUTO
J67	602313-348	W581GY1005	WIRE JUMPER	AWG22 1/0.65 SN 10 AUTO
J68	602313-351	W581GY7595	WIRE JUMPER	AWG22 1/0.65 SN 7.5 AUTO
J69	602313-351	W581GY7595	WIRE JUMPER	AWG22 1/0.65 SN 7.5 AUTO
J70	602313-347	W581GY1505	WIRE JUMPER	AWG22 1/0.65 SN 15 AUTO
J71	602313-347	W581GY1505	WIRE JUMPER	AWG22 1/0.65 SN 15 AUTO
J72	602313-347	W581GY1505	WIRE JUMPER	AWG22 1/0.65 SN 15 AUTO
J73	602313-348	W581GY1005	WIRE JUMPER	AWG22 1/0.65 SN 10 AUTO
J75	602313-348	W581GY1005	WIRE JUMPER	AWG22 1/0.65 SN 10 AUTO
J76	602313-348	W581GY1005	WIRE JUMPER	AWG22 1/0.65 SN 10 AUTO
J77	602313-348	W581GY1005	WIRE JUMPER	AWG22 1/0.65 SN 10 AUTO
J78	602313-349	W581GY12J5	WIRE JUMPER	AWG22 1/0.65 SN 12.5 AUTO
J79	602313-347	W581GY1505	WIRE JUMPER	AWG22 1/0.65 SN 15 AUTO
J80	602313-347	W581GY1505	WIRE JUMPER	AWG22 1/0.65 SN 15 AUTO
J81	602313-347	W581GY1505	WIRE JUMPER	AWG22 1/0.65 SN 15 AUTO
J82	602313-349	W581GY12J5	WIRE JUMPER	AWG22 1/0.65 SN 12.5 AUTO
J83	602313-350	W581GY17J5	WIRE JUMPER	AWG22 1/0.65 SN 17.5 AUTO
J85	602313-348	W581GY1005	WIRE JUMPER	AWG22 1/0.65 SN 10 AUTO
J86	602313-351	W581GY7595	WIRE JUMPER	AWG22 1/0.65 SN 7.5 AUTO
J88	602313-348	W581GY1005	WIRE JUMPER	AWG22 1/0.65 SN 10 AUTO
J89	602313-347	W581GY1505	WIRE JUMPER	AWG22 1/0.65 SN 15 AUTO
J90	602313-351	W581GY7595	WIRE JUMPER	AWG22 1/0.65 SN 7.5 AUTO
J91	602313-348	W581GY1005	WIRE JUMPER	AWG22 1/0.65 SN 10 AUTO
J92	602313-348	W581GY1005	WIRE JUMPER	AWG22 1/0.65 SN 10 AUTO
J93	602313-348	W581GY1005	WIRE JUMPER	AWG22 1/0.65 SN 10 AUTO
J94	602313-348	W581GY1005	WIRE JUMPER	AWG22 1/0.65 SN 10 AUTO
J95	602313-350	W581GY17J5	WIRE JUMPER	AWG22 1/0.65 SN 17.5 AUTO
J96	602313-351	W581GY7595	WIRE JUMPER	AWG22 1/0.65 SN 7.5 AUTO
J97	602313-351	W581GY7595	WIRE JUMPER	AWG22 1/0.65 SN 7.5 AUTO
J98	602313-349	W581GY12J5	WIRE JUMPER	AWG22 1/0.65 SN 12.5 AUTO
J99	602313-348	W581GY1005	WIRE JUMPER	AWG22 1/0.65 SN 10 AUTO
J100	602313-347	W581GY1505	WIRE JUMPER	AWG22 1/0.65 SN 15 AUTO
J101	602313-351	W581GY7595	WIRE JUMPER	AWG22 1/0.65 SN 7.5 AUTO
J102	602313-348	W581GY1005	WIRE JUMPER	AWG22 1/0.65 SN 10 AUTO
J103	602313-349	W581GY12J5	WIRE JUMPER	AWG22 1/0.65 SN 12.5 AUTO
J104	602313-349	W581GY12J5	WIRE JUMPER	AWG22 1/0.65 SN 12.5 AUTO
J105	602313-348	W581GY1005	WIRE JUMPER	AWG22 1/0.65 SN 10 AUTO
J106	602313-348	W581GY1005	WIRE JUMPER	AWG22 1/0.65 SN 10 AUTO
J107	602313-350	W581GY17J5	WIRE JUMPER	AWG22 1/0.65 SN 10 AUTO
J108	602313-347	W581GY1505	WIRE JUMPER	AWG22 1/0.65 SN 15 AUTO
J109	602313-347	W581GY1505	WIRE JUMPER	AWG22 1/0.65 SN 15 AUTO
J110	602313-347	W581GY1505	WIRE JUMPER	AWG22 1/0.65 SN 15 AUTO
J111	602313-351	W581GY7595	WIRE JUMPER	AWG22 1/0.65 SN 7.5 AUTO
J112	602313-351	W581GY7595	WIRE JUMPER	AWG22 1/0.65 SN 7.5 AUTO

LOC	CBM PN	OEM-CODE	PART-NAME	PART-DESC
J113	602313-351	W581GY7595	WIRE JUMPER	AWG22 1/0.65 SN 7.5 AUTO
J115	602313-350	W581GY17J5	WIRE JUMPER	AWG22 1/0.65 SN 17.5 AUTO
J116	602313-348	W581GY1005	WIRE JUMPER	AWG22 1/0.65 SN 10 AUTO
J118	602313-349	W581GY12J5	WIRE JUMPER	AWG22 1/0.65 SN 12.5 AUTO
J220	602313-348	W581GY1005	WIRE JUMPER	AWG22 1/0.65 SN 10 AUTO
L101	602313-143	5PTLF103E-	FILTER LINE	TLF-103E
L102	602313-143	5PTLF103E-	FILTER LINE	TLF-103E
L103	602313-082	5MC0000004	COIL CHOKE	CH-101
L106	602313-082	5MC0000004	COIL CHOKE	CH-101
L107	602313-086	5MC0000003	COIL CHOKE	L-82
L108	602313-083	5MC0000019	COIL CHOKE	CH-121
L109	602313-081	58C0000026	COIL BEAD	HC-4035
* @ L202	602313-092	5MH0000037	COIL H-LINEARITY	TRL-1410
L203	602313-085	5MC0000030	COIL CHOKE	L-700
L207	602313-084	5MC0000024	COIL CHOKE	CH-146
L601	602313-095	58P689J023	COIL PEAKING	PL-6R8J (6.8MH J)
A		56Z689K200	COIL PEAKING	EL0606RA-6.8UH K (AUTO)
L602	602313-091	58F1000021	COIL FILTER	TRF-M507S (10MH.8)
L603	602313-094	58P330J045	COIL PEAKING	PL-33J (33UH J)
A		56Z330J432	COIL PEAKING	EL0606RA-330UH-J
L604	602313-094	58P330J045	COIL PEAKING	PL-33J (33UH J)
A		56Z330J432	COIL PEAKING	EL0606RA-330UH J
L701	602313-081	58C0000026	COIL BEAD	HC-4035
L702	602313-081	58C0000026	COIL BEAD	HC-4035
L703	602313-081	58C0000026	COIL BEAD	HC-4035
L704	602313-081	58C0000026	COIL BEAD	HC-4035
N 1	602313-106	97P6262800	CONN WAFER	YMW-025-03 2.5MM
PR	602313-196	9970700609	POWER RECEPTACLE AS	NC174 + UL1015#22 + CORE = 150
PR01	602313-194	DERPZ5180A	POSISTOR	ERP-Z5BON180A
A		D901P44180	POSISTOR	901P44E180YR16
@ Q201	602313-338	TZTC2482--	TR	KTC2482 (AUTO)
* @ Q202	602313-328	T2SD1401--	TR	2SD1401 (WITH MICA)
A	602313-329	T2SD1555--	TR	2SD1555
A	602313-330	T2SD1883--	TR	2SD1883
Q202A	602313-153	9977015800	HEAT SINK A	A1050P-H24 T1.0
Q202B	602313-300	7128301211	SCREW TAPPING	T2S WAS 3x12 MFZN
Q202E	602313-174	9977610800	INSULATOR	SILICON RUBBER T0.3
Q203	602313-336	TZTC1815Y-	TR	KTC1815-Y (AUTO)
Q301	602313-334	TKTB834---	TR	KTB834
A	602313-331	TB988----	TR	B988
Q302	602313-336	TZTC1815Y-	TR	KTC1815-Y (AUTO)
Q401	602313-336	TZTC1815Y-	TR	KTC1815-Y (AUTO)
Q601	602313-336	TZTC1815Y-	TR	KTC1815-Y (AUTO)
Q602	602313-336	TZTC1815Y-	TR	KTC1815-Y (AUTO)
Q604	602313-336	TZTC1815Y-	TR	KTC1815-Y (AUTO)
Q605	602313-336	TZTC1815Y-	TR	KTC1815-Y (AUTO)
Q606	602313-336	TZTC1815Y-	TR	KTC1815-Y (AUTO)

LOC	CBM PN	OEM-CODE	PART-NAME	PART-DESC
Q701	602313-337	TZTC1959Y-	TR	KTC1959-Y (AUTO)
Q702	602313-337	TZTC1959Y-	TR	KTC1959-Y (AUTO)
Q703	602313-337	TZTC1959Y-	TR	KTC1959-Y (AUTO)
@ Q704	602313-327	T2SC3337--	TR	2SC3337
R101	602313-201	RD-2Z2225J-	R CARBON FILM	½ 2.2M OHM J
R102	602313-271	RX10B339JE	R CEMENT	10W 3.3 OHM J BENCH 12.5MM
R105	602313-219	RD-4Z154J-	R CARBON FILM	¼ 150K OHM J
!@ R106	602313-280	RS02Y109J-	R M-OXIDE FILM	2W 1 OHM J
!@ R107	602313-272	RS05B101JE	R M-OXIDE FILM	5W 100 OHM J BENCH 12.5MM
R108	602313-204	RD-2Z470J-	R CARBON FILM	½ 47 OHM J
@ R109	602313-279	RS02Y101J-	R M-OXIDE FILM	2W 100 OHM J
R110	602313-197	RD-2Z104J-	R CARBON FILM	½ 100K OHM J
R111	602313-197	RD-2Z104J-	R CARBON FILM	½ 100K OHM J
R113	602313-275	RF01Y109J-	R FUSIBLE	1W 1 OHM J
!@ R114	602313-283	RS02Y330J-	R M-OXIDE FILM	2W 33 OHM J
R116	602313-218	RD-4Z151J-	R CARBON FILM	¼ 150 OHM J
R202	602313-244	RD-4Z433J-	R CARBON FILM	¼ 43K OHM J
R203	602313-342	5V1103016B	VR ROTARY	VO12L-PHJ-20F-10KB
R204	602313-225	RD-4Z272J-	R CARBON FILM	¼ 2.7K OHM J
R205	602313-217	RD-4Z123J-	R CARBON FILM	¼ 12K OHM J
R206	602313-228	RD-4Z221J-	R CARBON FILM	¼ 220 OHM J
R207	602313-237	RD-4Z331J-	R CARBON FILM	¼ 330 OHM J
R209	602313-242	RD-4Z472J-	R CARBON FILM	¼ 4.7K OHM J
@ R210	602313-281	RS02Y122J-	R M-OXIDE FILM	2W 1.2K OHM J
@ R211	602313-281	RS02Y122J-	R M-OXIDE FILM	2W 1.2K OHM J
R212	602313-277	RS01Y229J-	R M-OXIDE FILM	1W 2.2 OHM J
R213	602313-237	RD-4Z331J-	R CARBON FILM	¼ 330 OHM J
* R217	602313-249	RD-4Z562G-	R CARBON FILM	¼ 5.6K OHM G
* R218	602313-213	RD-4Z103G-	R CARBON FILM	¼ 10K OHM G
! R219	602313-199	RD-2Z184J-	R CARBON FILM	½ 180K OHM J
R220	602313-214	RD-4Z103J-	R CARBON FILM	¼ 10K OHM J
R221	602313-233	RD-4Z271J-	R CARBON FILM	¼ 270 OHM J
R222	602313-226	RD-4Z200J-	R CARBON FILM	¼ 20 OHM J
R224	602313-215	RD-4Z124J-	R CARBON FILM	¼ 120K OHM J
R225	602313-286	RV6317503A	R SEMI FIXED	CET 95A 50K OHM B
R226	602313-217	RD-4Z123J-	R CARBON FILM	¼ 12K OHM J
!@ R227	602313-284	RS03Y182J-	R M-OXIDE FILM	3W 1.8K OHM J
!@ R228	602313-284	RS03Y182J-	R M-OXIDE FILM	3W 1.8K OHM J
R229	602313-212	RD-4Z104J-	R CARBON FILM	¼ 100K OHM J
R230	602313-242	RD-4Z472J-	R CARBON FILM	¼ 4.7K OHM J
R231	602313-261	RD-4Z821J-	R CARBON FILM	¼ 820 OHM J
R232	602313-256	RD-4Z681J-	R CARBON FILM	¼ 680 OHM J
R233	602313-275	RF01Y109J-	R FUSIBLE	1W 1 OHM J
R234	602313-275	RF01Y109J-	R FUSIBLE	1W 1 OHM J
R235	602313-198	RD-2Z153J-	R CARBON FILM	½ 15K OHM J
R237	602313-276	RS01Y109J-	R M-OXIDE FILM	1/1 1 OHM J
* R238	602313-210	RD-4Z100J-	R CARBON FILM	¼ 10 OHM J

LOC	CBM PN	OEM-CODE	PART-NAME	PART-DESC
R239	602313-274	RF01Y478J-	R FUSIBLE	1W 0.47 OHM J
R243	602313-237	RD-4Z331J-	R CARBON FILM	¼ 330 OHM J
R244	602313-245	RD-4Z471J-	R CARBON FILM	¼ 470 OHM J
R245	602313-245	RD-4Z471J-	R CARBON FILM	¼ 470 OHM J
R246	602313-228	RD-4Z221J-	R CARBON FILM	¼ 220 OHM J
R247	602313-238	RD-4Z363J-	R CARBON FILM	¼ 36K OHM J
R249	602313-214	RD-4Z103J-	R CARBON FILM	¼ 10K OHM J
R250	602313-242	RD-4Z472J-	R CARBON FILM	¼ 4.7K OHM J
R251	602313-253	RD-4Z561J-	R CARBON FILM	¼ 560 OHM J
R252	602313-253	RD-4Z561J-	R CARBON FILM	¼ 560 OHM J
R253	602313-242	RD-4Z472J-	R CARBON FILM	¼ 4.7K OHM J
R255	602313-238	RD-4Z363J-	R CARBON FILM	¼ 36K OHM J
R256	602313-250	RD-2Z562J-	R CARBON FILM	½ 5.6K OHM J
R257	602313-277	RS01Y229J-	R M-OXIDE FILM	1W 2.2 OHM J
R258	602313-207	RD-2Z303J-	R CARBON FILM	½W 30K OHM J
R260	602313-278	RS01Y680J-	R M-OXIDE FILM	1W 68 OHM J
R301	602313-223	RD-4Z229J-	R CARBON FILM	¼ 2.2 OHM J
R303	602313-242	RD-4Z472J-	R CARBON FILM	¼ 4.7K OHM J
R304	602313-267	RD-AZ273J-	R CARBON FILM	1/6 27K OHM J
R305	602313-216	RD-4Z124J-	R CARBON FILM	¼ 120K OHM J
R306	602313-340	5V1104302B	VR ROTARY	V12V CO 25K B100K
R307	602313-257	RD-4Z684J-	R CARBON FILM	¼ 680K OHM J
R308	602313-145	RD-4Z683J-	R CARBON FILM	¼ 68K OHM J
R309	602313-247	RD-4Z473J-	R CARBON FILM	¼ 47K OHM J
R310	602313-200	RD-2Z229J-	R CARBON FILM	½ 2.2 OHM J
R311	602313-263	RD-4Z911J-	R CARBON FILM	¼ 910 OHM J
R312	602313-215	RD-4Z121J-	R CARBON FILM	¼ 120 OHM J
R313	602313-224	RD-4Z242J-	R CARBON FILM	¼ 2.4K OHM J
R314	602313-214	RD-4Z103J-	R CARBON FILM	¼ 10K OHM J
R315	602313-259	RD-4Z753J-	R CARBON FILM	¼ 75K OHM J
R316	602313-214	RD-4Z103J-	R CARBON FILM	¼ 10K OHM J
R317	602313-146	RD-AZ331J-	R CARBON FILM	1/6 330 OHM J
R318	602313-341	5V1102302B	VR ROTARY	V12V CO 25K B1K
R319	602313-147	RD-2Z331J-	R CARBON FILM	½ 330 OHM J
R320	602313-247	RD-4Z473J-	R CARBON FILM	¼ 47K OHM J
C323	602313-285	RV6317203A	R SEMI FIXED	CET 95A 20K OHM B
R328	602313-254	RD-4Z622J-	R CARBON FILM	¼ 6.2K OHM J
R330	602313-214	RD-4Z103J-	R CARBON FILM	¼ 10K OHM J
R331	602313-211	RD-4Z101J-	R CARBON FILM	¼ 100 OHM J
R332	602313-259	RD-4Z753J-	R CARBON FILM	¼ 75K OHM J
R333	602313-246	RD-4Z474J-	R CARBON FILM	¼ 470K OHM J
R334	602313-348	W581GY1005	WIRE JUMPER	AWG22 1/0.65 SN 10 AUTO
R335	602313-216	RD-4Z124J-	R CARBON FILM	¼ 120K OHM J
R336	602313-222	RD-4Z102J-	R CARBON FILM	¼ 1K OHM J
R337	602313-344	5V1103302B	VR ROTARY	V12V CO 25K B10K
R401	602313-255	RD-4Z680J-	R CARBON FILM	¼ 68 OHM J
R402	602313-255	RD-4Z680J-	R CARBON FILM	¼ 68 OHM J

LOC	CBM PN	OEM-CODE	PART-NAME	PART-DESC
R403	602313-255	RD-4Z680J-	R CARBON FILM	¼ 68 OHM J
R404	602313-222	RD-4Z102J-	R CARBON FILM	¼ 1K OHM J
R405	602313-222	RD-4Z102J-	R CARBON FILM	¼ 1K OHM J
R406	602313-222	RD-4Z102J-	R CARBON FILM	¼ 1K OHM J
R407	602313-222	RD-4Z102J-	R CARBON FILM	¼ 1K OHM J
R408	602313-214	RD-4Z103J-	R CARBON FILM	¼ 10K OHM J
R409	602313-222	RD-4Z102J-	R CARBON FILM	¼ 1K OHM J
R410	602313-222	RD-4Z102J-	R CARBON FILM	¼ 1K OHM J
R411	602313-247	RD-4Z473J-	R CARBON FILM	¼ 47K OHM J
R412	602313-287	RV6117103A	R SEMI FIXED	CET 117A 10K OHM B
R413	602313-287	RV6117103A	R SEMI FIXED	CET 117A 10K OHM B
R414	602313-287	RV6117103A	R SEMI FIXED	CET 117A 10K OHM B
R415	602313-214	RD-4Z103J-	R CARBON FILM	¼ 10K OHM J
R417	602313-214	RD-4Z103J-	R CARBON FILM	¼ 10K OHM J
R418	602313-260	RD-4Z822J-	R CARBON FILM	¼ 8.2K OHM J
R419	602313-214	RD-4Z103J-	R CARBON FILM	¼ 10K OHM J
R420	602313-343	5V1103017B	VR ROTARY	V012L-PHJ-20F-B10K (C.C.)
R421	602313-343	5V1103017B	VR ROTARY	V012L-PHJ-20F-B10K (C.C.)
R422	602313-343	5V1103017B	VR ROTARY	V012L-PHJ-20F-B10K (C.C.)
R423	602313-241	RD-4Z393J-	R CARBON FILM	¼ 39K OHM J
R424	602313-270	RD-4Z823J-	R CARBON FILM	¼ 82K OHM J
R425	602313-250	RD-4Z562J-	R CARBON FILM	¼ 5.6K OHM J
R426	602313-268	RD-AZ473J-	R CARBON FILM	1/6 47K OHM J
R427	602313-220	RD-4Z153J-	R CARBON FILM	¼ 15K OHM J
R428	602313-242	RD-4Z472J-	R CARBON FILM	¼ 4.7K OHM J
R429	602313-236	RD-4Z392J-	R CARBON FILM	¼ 3.9K OHM J
R430	602313-217	RD-4Z123J-	R CARBON FILM	¼ 12K OHM J
R431	602313-214	RD-4Z103J-	R CARBON FILM	¼ 10K OHM J
R432	602313-225	RD-4Z272J-	R CARBON FILM	¼ 2.7K OHM J
R433	602313-260	RD-4Z822J-	R CARBON FILM	¼ 8.2K OHM J
R434	602313-236	RD-4Z392J-	R CARBON FILM	¼ 3.9K OHM J
R435	602313-232	RD-4Z270J-	R CARBON FILM	¼ 27 OHM J
R436	602313-250	RD-4Z562J-	R CARBON FILM	¼ 5.6K OHM J
R437	602313-227	RD-4Z201J-	R CARBON FILM	¼ 200 OHM J
R601	602313-216	RD-4Z124J-	R CARBON FILM	¼ 120K OHM J
R602	602313-288	RV6317201A	R SEMI FIXED	CET-95A 200 OHM B
R603	602313-221	RD-4Z181J-	R CARBON FILM	¼ 180 OHM J
R604	602313-240	RD-4Z391J-	R CARBON FILM	¼ 390 OHM J
R605	602313-208	RD-4Z122J-	R CARBON FILM	¼ 1.2K OHM J
R606	602313-225	RD-4Z272J-	R CARBON FILM	¼ 2.7K OHM J
R611	602313-248	RD-4Z512J-	R CARBON FILM	¼ 5.1K OHM J
R612	602313-214	RD-4Z103J-	R CARBON FILM	¼ 10K OHM J
R613	602313-245	RD-4Z471J-	R CARBON FILM	¼ 470 OHM J
R614	602313-222	RD-4Z102J-	R CARBON FILM	¼ 1K OHM J
R617	602313-262	RD-4Z821J-	R CARBON FILM	¼ 820 OHM J
R618	602313-245	RD-4Z471J-	R CARBON FILM	¼ 470 OHM J
R619	602313-212	RD-4Z104J-	R CARBON FILM	¼ 100K OHM J

LOC	CBM PN	OEM-CODE	PART-NAME	PART-DESC
R620	602313-214	RD-4Z103J-	R CARBON FILM	¼ 10K OHM J
R621	602313-222	RD-4Z102J-	R CARBON FILM	¼ 1K OHM J
R622	602313-236	RD-4Z392J-	R CARBON FILM	¼ 3.9K OHM J
R623	602313-211	RD-4Z101J-	R CARBON FILM	¼ 100 OHM J
R624	602313-269	RD-AZ821J-	R CARBON FILM	1/6 820 OHM J
R625	602313-216	RD-4Z124J-	R CARBON FILM	¼ 120K OHM J
R626	602313-217	RD-4Z123J-	R CARBON FILM	¼ 12K OHM J
R627	602313-217	RD-4Z123J-	R CARBON FILM	¼ 12K OHM J
R628	602313-216	RD-4Z124J-	R CARBON FILM	¼ 120K OHM J
R629	602313-217	RD-4Z123J-	R CARBON FILM	¼ 12K OHM J
R630	602313-216	RD-4Z124J-	R CARBON FILM	¼ 120K OHM J
R631	602313-211	RD-4Z101J-	R CARBON FILM	¼ 100 OHM J
R632	602313-234	RD-4Z273J-	R CARBON FILM	¼ 27K OHM J
R633	602313-242	RD-4Z472J-	R CARBON FILM	¼ 4.7K OHM J
R634	602313-234	RD-4Z273J-	R CARBON FILM	¼ 27K OHM J
R635	602313-242	RD-4Z472J-	R CARBON FILM	¼ 4.7K OHM J
R638	602313-222	RD-4Z102J-	R CARBON FILM	¼ 1K OHM J
R639	602313-222	RD-4Z102J-	R CARBON FILM	¼ 1K OHM J
R640	602313-222	RD-4Z102J-	R CARBON FILM	¼ 1K OHM J
R641	602313-258	RD-4Z750J-	R CARBON FILM	¼ 75 OHM J
R642	602313-258	RD-4Z750J-	R CARBON FILM	¼ 75 OHM J
R644	602313-228	RD-4Z221J-	R CARBON FILM	¼ 220 OHM J
R645	602313-214	RD-4Z103J-	R CARBON FILM	¼ 10K OHM J
R646	602313-214	RD-4Z103J-	R CARBON FILM	¼ 10K OHM J
R648	602313-245	RD-4Z471J-	R CARBON FILM	¼ 470 OHM J
R649	602313-209	RD-4Z152J-	R CARBON FILM	¼ 1.5K OHM J
R701	602313-237	RD-4Z331J-	R CARBON FILM	¼ 330 OHM J
R702	602313-237	RD-4Z331J-	R CARBON FILM	¼ 330 OHM J
R703	602313-237	RD-4Z331J-	R CARBON FILM	¼ 330 OHM J
R704	602313-245	RD-4Z471J-	R CARBON FILM	¼ 470 OHM J
R705	602313-245	RD-4Z471J-	R CARBON FILM	¼ 470 OHM J
R706	602313-245	RD-4Z471J-	R CARBON FILM	¼ 470 OHM J
R707	602313-237	RD-4Z331J-	R CARBON FILM	¼ 330 OHM J
R708	602313-245	RD-4Z471J-	R CARBON FILM	¼ 470 OHM J
R709	602313-237	RD-4Z331J-	R CARBON FILM	¼ 330 OHM J
R710	602313-237	RD-4Z331J-	R CARBON FILM	¼ 330 OHM J
R711	602313-237	RD-4Z331J-	R CARBON FILM	¼ 330 OHM J
R712	602313-237	RD-4Z331J-	R CARBON FILM	¼ 330 OHM J
R713	602313-237	RD-4Z331J-	R CARBON FILM	¼ 330 OHM J
R714	602313-227	RD-4Z201J-	R CARBON FILM	¼ 200 OHM J
R715	602313-227	RD-4Z201J-	R CARBON FILM	¼ 200 OHM J
R716	602313-227	RD-4Z201J-	R CARBON FILM	¼ 200 OHM J
R717	602313-211	RD-4Z101J-	R CARBON FILM	¼ 100 OHM J
R718	602313-261	RD-4Z820J-	R CARBON FILM	¼ 82 OHM J
R719	602313-256	RD-4Z681J-	R CARBON FILM	¼ 680 OHM J
R720	602313-243	RD-4Z431J-	R CARBON FILM	¼ 430 OHM J
R721	602313-243	RD-4Z431J-	R CARBON FILM	¼ 430 OHM J

LOC	CBM PN	OEM-CODE	PART-NAME	PART-DESC
R722	602313-243	RD-4Z431J-	R CARBON FILM	1/4 430 OHM J
R723	602313-221	RD-4Z181J-	R CARBON FILM	1/4 180 OHM J
R724	602313-221	RD-4Z181J-	R CARBON FILM	1/4 180 OHM J
R725	602313-221	RD-4Z181J-	R CARBON FILM	1/4 180 OHM J
R726	602313-243	RD-4Z431J-	R CARBON FILM	1/4 430 OHM J
R727	602313-243	RD-4Z431J-	R CARBON FILM	1/4 430 OHM J
R728	602313-243	RD-4Z431J-	R CARBON FILM	1/4 430 OHM J
R729	602313-222	RD-4Z102J-	R CARBON FILM	1/4 1K OHM J
R730	602313-222	RD-4Z102J-	R CARBON FILM	1/4 1K OHM J
R731	602313-222	RD-4Z102J-	R CARBON FILM	1/4 1K OHM J
R735	602313-218	RD-4Z151J-	R CARBON FILM	1/4 150 OHM J
R736	602313-218	RD-4Z151J-	R CARBON FILM	1/4 150 OHM J
R737	602313-218	RD-4Z151J-	R CARBON FILM	1/4 150 OHM J
R738	602313-262	RD-4Z821J-	R CARBON FILM	1/4 820 OHM J
R739	602313-262	RD-4Z821J-	R CARBON FILM	1/4 820 OHM J
R740	602313-262	RD-4Z821J-	R CARBON FILM	1/4 820 OHM J
R741	602313-243	RD-4Z431J-	R CARBON FILM	1/4 430 OHM J
R742	602313-243	RD-4Z431J-	R CARBON FILM	1/4 430 OHM J
R743	602313-243	RD-4Z431J-	R CARBON FILM	1/4 430 OHM J
R744	602313-273	RX05B300JE	R CEMENT	5W 30 OHM J BENCH
R745	602313-158	RD-AZ241J-	R CARBON FILM	1/6 240 OHM J
R801	602313-247	RD-4Z473J-	R CARBON FILM	1/4 47K OHM J
R8011	602313-247	RD-4Z473J-	R CARBON FILM	1/4 47K OHM J
R802	602313-235	RD-4Z339J-	R CARBON FILM	1/4 3.3 OHM J
R8021	602313-235	RD-4Z339J-	R CARBON FILM	1/4 3.3 OHM J
R803	602313-229	RD-4Z224J-	R CARBON FILM	1/4 220K OHM J
R8031	602313-229	RD-4Z224J-	R CARBON FILM	1/4 220K OHM J
R805	602313-348	W581GY1005	WIRE JUMPER	AWG22 1/0.65 SN 10 AUTO
R806	602313-342	5V1103016B	VR ROTARY	VO12L-PHJ-20F-10KB
R807	602313-214	RD-4Z103J-	R CARBON FILM	1/4 10K OHM J
R808	602313-214	RD-4Z103J-	R CARBON FILM	1/4 10K OHM J
R8081	602313-214	RD-4Z103J-	R CARBON FILM	1/4 10K OHM J
R810	602313-214	RD-4Z103J-	R CARBON FILM	1/4 10K OHM J
R8101	602313-214	RD-4Z103J-	R CARBON FILM	1/4 10K OHM J
SW1	602313-319	5S40402538	SW PUSH	4C-2P KPA-4251A
SW2	602313-318	5S40402572	SW PUSH	2C-2P KPA-2251SP
SW3	602313-318	5S40402572	SW PUSH	2C-2P KPA-2251SP
SW4	602313-320	5S40202054	SW PUSH	ME-5A
SW5	602313-318	5S40202572	SW PUSH	2C-2P KPA-2251SP
TA1	602313-103	9916200602	CONN D-SUB	9P FEMALE W/HOOK
TA2	602313-005	9976300023	BOARD JACK 4P	DA-9PF
*!@ T121	602313-306	5RM0000030	SMPS	TSW-4210A
A		5RM0000035	SMPS	TSW-4210B
T201	602313-339	5RD0000004	TRANS H-DRIVE	THD-122
*!@ T202	602313-141	5RH0000033	FBT	DCF-1580 (B)
UA01	602313-187	9979800226	PCB MAIN	T1.6 x 330 x 247
X601	602313-142	5PHC18U---	FILTER CRYSTAL	8.867238 MHz PHC-18U

LOC	CBM PN	OEM-CODE	PART-NAME	PART-DESC
0001	602313-308	2193100800	SOLDER BAR	SN: PB = 63%
0002	602313-309	2193010801	SOLDER WIRE	SN: PB = 63:37 1.2PI
0003	602313-159	2224050033	SLICON	RTV252
0004	602313-160	2224050002	HOT MELT	732-RTV BOND
0005	602313-161	2291050610	FLUX SOLDER	4662
0006	602313-164	UGC11C1016	PAINT LOCK	GREEN BG
0007	602313-178	2291130202	GREASE	ASC-100
0008	602313-180	2291050303	FLUX SOLVENT	H-302
0011	602313-183	8-1H0820BK	TUBE SHRINK	AWG0 D = 8.2MM UL/USA
1	602313-353	8W-01065RD	WIRE LEAD	AWG22 1/0.65 RD 1015
11	602313-325	4856812001	TIE CABLE	NYLON66 DA100
2	602313-354	8P-01065YW	WIRE LEAD	AWG22 1/0.65 YELLOW 1007
3	602313-352	8P-01065YW	WIRE LEAD	AWG22 1/0.65 YELLOW 1007
300	602313-009	9974811002	BUTTON POWER SW	ABS BEG 3G GY-210G
310	602313-290	2221080613	RESIN ABS	H.N 700 BEG V27578 GY210B
400	602313-007	9974211102	BUTTON CONTROL SW	ABS BEG 1G GY-210B
410	602313-290	2221080613	RESIN ABS	H.N 700 BEG V27578 GY210B
500	602313-004	9973310500	BKT REAR	SBHG1-A 1 x 273 x 50
600	602313-140	9913115000	FASTENER	4-40 x 1/4 + TW-A-3 NI WH
700	602313-294	7125300811	SCREW TAPPING	T25 FLT 3 x 8 MFZN
800	602313-299	7142400811	SCREW TAPPING	T2S TRS 4 x 8 MFZN
850	602313-346	7402204010	WASHER TOOTHED	M4 EXT TOOTH WH ZINC
900	602313-296	7128300611	SCREW TAPPING	T2S WAS 3 x 6 MFZN
00020	602313-186	9970190077	PCB CRT AS	CMC-1410PR
C501	602313-027	CCXB1H221K	C CERA	HIKB 50V 220PF K TAPING
C503	602313-027	CCXB1H221K	C CERA	HIKB 50V 220PF K TAPING
C505	602313-027	CCXB1H221K	C CERA	HIKB 50V 220PF K TAPING
C507	602313-013	CXCH1H680J	C CERA	CH 50V 68PF J TAPING
C508	602313-189	CEXF1C101V	C ELECTRO	16V 100MF RSS 6.3 x 11
C509	602313-024	CCXB1H103K	C CERA	HIKB 50V 0.01MF K
C510	602313-035	CEYE2C470A	C ELECTRO	160V 47MF RS 16 x 25
C511	602313-019	CCXB2H103K	C CERA	HIKB 500V 0.01MF K
C512	602313-043	CEXE1C470A	C ELECTRO	16V 47MF RS = 6.3 x 11 TAPING
C513	602313-016	CCXB3A103K	C CERA	HIKF 1KV 0.01MF K
C514	602313-029	CCXF1H103Z	C CERA	HIKF 50V 0.01MF Z TAPING
C515	602313-029	CCXF1H103Z	C CERA	HIKF 50V 0.01MF Z TAPING
C516	602313-029	CCXF1H103Z	C CERA	HIKF 50V 0.01MF Z TAPING
DB1	602313-101	9970750003	CONN AS	YMH025 - 05 + YBH - 03 + 1007 = 240
D501	602313-128	DZN4148---	DIODE	1N4148 AUTO 52MM
D502	602313-128	DZN4148---	DIODE	1N4148 AUTO 52MM
D503	602313-128	DZN4148---	DIODE	1N4148 AUTO 52MM
D504	602313-138	DDZ12BM---	DIODE ZENER	DZ12BM
D505	602313-130	DBA159----	DIODE	RA159
A	602313-133	DRH1B-----	DIODE	RH-1B
J501	602313-351	W581GY7595	WIRE JUMPER	AWG22 1/0.65 SN 7.5 AUTO
J502	602313-350	W581GY17J5	WIRE JUMPER	AWG22 1/0.65 SN 17.5 AUTO
J503	602313-348	W581GY1005	WIRE JUMPER	AWG22 1/0.65 SN 10 AUTO

LOC	CBM PN	OEM-CODE	PART-NAME	PART-DESC
J504	602313-349	W581GY12J5	WIRE JUMPER	AWG22 1/0.65 SN 12.5 AUTO
J505	602313-348	W581GY1005	WIRE JUMPER	AWG22 1/0.65 SN 10 AUTO
J506	602313-347	W581GY1505	WIRE JUMPER	AWG22 1/0.65 SN 15 AUTO
J507	602313-348	W581GY1005	WIRE JUMPER	AWG22 1/0.65 SN 10 AUTO
J508	602313-348	W581GY1005	WIRE JUMPER	AWG22 1/0.65 SN 10 AUTO
J509	602313-348	W581GY1005	WIRE JUMPER	AWG22 1/0.65 SN 10 AUTO
J510	602313-349	W581GY12J5	WIRE JUMPER	AWG22 1/0.65 SN 12.5 AUTO
J511	602313-349	W581GY12J5	WIRE JUMPER	AWG22 1/0.65 SN 12.5 AUTO
J512	602313-348	W581GY1005	WIRE JUMPER	AWG22 1/0.65 SN 10 AUTO
J513	602313-350	W581GY17J5	WIRE JUMPER	AWG22 1/0.65 SN 17.5 AUTO
J514	602313-348	W581GY1005	WIRE JUMPER	AWG22 1/0.65 SN 10 AUTO
J515	602313-349	W581GY12J5	WIRE JUMPER	AWG22 1/0.65 SN 12.5 AUTO
J516	602313-349	W581GY12J5	WIRE JUMPER	AWG22 1/0.65 SN 12.5 AUTO
J517	602313-348	W581GY1005	WIRE JUMPER	AWG22 1/0.65 SN 10 AUTO
L501	602313-093	58P220J001	COIL PEAKING	PL-22UH J
A		56Z220J201	COIL PEAKING	EL0606RA-22UH J
L502	602313-093	58P220J001	COIL PEAKING	PL-22UH J
A		56Z220J201	COIL PEAKING	EL0606RA-22UH J
L503	602313-093	58P220J001	COIL PEAKING	PL-22UH J
A		56Z220J201	COIL PEAKING	EL0606RA-22UH J
Q501	602313-337	TZTC1959Y-	TR	KTC1959-Y (AUTO)
@ Q502	602313-335	TKTC2068--	TR	KTC 2068
Q503	602313-338	TZTC2482--	TR	KTC 2482 (AUTO)
Q504	602313-333	TZTA949Y--	TR	KTA949-Y
A		TBF423----	TR	BF423
Q505	602313-337	TZTC1959Y-	TR	KTC1959-Y (AUTO)
@ Q506	602313-335	TKTC2068--	TR	KTC 2068
Q507	602313-338	TZTC2482--	TR	KTC 2482 (AUTO)
Q508	602313-333	TZTA949Y--	TR	KTA949-Y
A		TBF423----	TR	BF423
Q509	602313-337	TZTC1959Y-	TR	KTC1959-Y (AUTO)
@ Q510	602313-335	TKTC2068--	TR	KTC 2068
Q511	602313-338	TZTC2482--	TR	KTC 2482 (AUTO)
Q512	602313-333	TZTA949Y--	TR	KTA949-Y
A		TBF423----	TR	BF423
Q513	602313-332	TZTA1015Y-	TR	KTA1015-Y (AUTO)
R501	602313-253	RD-4Z560J-	R CARBON FILM	¼ 56 OHM J
R502	602313-239	RD-4Z390J-	R CARBON FILM	¼ 39 OHM J
R503	602313-218	RD-4Z151J-	R CARBON FILM	¼ 150 OHM J
!@ R507	602313-282	RS02Y362J-	R M-OXIDE FILM	2W 3.6K OHM J
R508	602313-211	RD-4Z101J-	R CARBON FILM	¼ 100 OHM J
R509	602313-202	RD-2Z201J-	R CARBON FILM	½ 200 OHM J
R510	602313-206	RD-2Z681J-	R CARBON FILM	½ 680 OHM J
R511	602313-252	RD-4Z560J-	R CARBON FILM	¼ 56 OHM J
R512	602313-239	RD-4Z390J-	R CARBON FILM	¼ 39 OHM J
R513	602313-218	RD-4Z151J-	R CARBON FILM	¼ 150 OHM J
!@ R517	602313-282	RS02Y362J-	R M-OXIDE FILM	2W 3.6K OHM J

LOC	CBM PN	OEM-CODE	PART-NAME	PART-DESC
R518	602313-211	RD-4Z101J-	R CARBON FILM	¼ 100 OHM J
R519	602313-152	RD-2Z471J-	R CARBON FILM	½ 470 OHM J
R520	602313-206	RD-2Z681J-	R CARBON FILM	½ 680 OHM J
R521	602313-252	RD-4Z560J-	R CARBON FILM	¼ 56 OHM J
R522	602313-239	RD-4Z390J-	R CARBON FILM	¼ 39 OHM J
R523	602313-218	RD-4Z151J-	R CARBON FILM	¼ 150 OHM J
!@ R527	602313-282	RS01Y362J-	R M-OXIDE FILM	2W 3.6K OHM J
R528	602313-211	RD-4Z101J-	R CARBON FILM	¼ 100 OHM J
R529	602313-202	RD-2Z201J-	R CARBON FILM	½ 200 OHM J
R530	602313-206	RD-2Z681J-	R CARBON FILM	½ 680 OHM J
R532	602313-256	RD-4Z681J-	R CARBON FILM	¼ 680 OHM J
R534	602313-209	RD-4Z152J-	R CARBON FILM	¼ 1.5K OHM J
R535	602313-253	RD-4Z561J-	R CARBON FILM	¼ 560 OHM J
R536	602313-256	RD-4Z681J-	R CARBON FILM	¼ 680 OHM J
R537	602313-231	RD-4Z224J-	R CARBON FILM	¼ 240K OHM J
SG01	602313-310	ZEW295804A	SPARK GAP	S-23 1KV
SG02	602313-310	ZEW295804A	SPARK GAP	S-23 1KV
SG03	602313-310	ZEW295804A	SPARK GAP	S-23 1KV
UA02	602313-185	9979800227	PCB CRT	T1.6 × 135.5 × 83.5
VB1	602313-102	9970780001	CONN AS	YMH025 - 08 + 1185#26 = 280
V501	602313-307	9976300007	SOCKET CRT	S008626
V901	602313-121	9979600053	CRT	M34JRW30 × 04
A	602313-118	9979600141	CRT	37SGA54X-TC16
A	602313-120	9979600041	CRT	E2940B22-TC10ETHT (M1T1G8)
V901A	602313-123	9970710005	CRT GND AS	CMC-1412A GND ASS'Y
V901B	602313-110	4859238620	CONN WAFER	YPW500-02
1	602313-325	4856812001	TIE CABLE	NYLON66 DA100
00030	602313-155	9970190088	PCB LED AS	CMC-141OPR
D901	602313-181	DKLG205E--	LED	KLG-205E 1*5 GREEN
D901A	602313-099	9970730010	CONN AS	YMH025 - 03 + TUBE#1007 = 255
00070	602313-184	9971716301	PACKING AS	CMC-141OPR
00100	602313-124	9978120300	CUSHION BOTTOM L	P.E FORM
00200	602313-125	9978120301	CUSHION BOTTOM R	P.E FORM
00300	602313-126	9978120303	CUSHION TOP L	P.E FORM
00400	602313-127	9978120304	CUSHION TOP R	P.E FORM
00500	602313-002	4858210600	BAG POLY	P.E FILM T0.03 × 900 × 900
00550	602313-003	4858213800	BAG POLY	P.E FILM T0.06 × 250 × 350
00600	602313-322	2TQ12550GN	TAPE OPP	W50
00700	602313-006	9978019700	BOX CARTON	DW-2 449 × 427 × 408
00800	602313-179	9975819601	LABEL SERIAL NO	ART PAPER 125G
00900	602313-156	2TQ00025CL	TAPE SCOTCH	W25
01100	602313-316	9909319100	STICKER YELLOW	PAPER D13
00080	602313-190	9970190093	PCB EAR AS	CMC-141OPR
EA01	602313-175	9976300009	JACK EAR PHONE	HCY-352W-ST
SP01	602313-311	4858302221	SPEAKER	P-300R 16 OHM 1W
SP02	602313-311	4858302221	SPEAKER	P-300R 16 OHM 1W
SS1	602313-107	97P6262900	CONN WAFER	YMW-025-04 2.5MM

LOC	CBM PN	OEM-CODE	PART-NAME	PART-DESC
SS2N	602313-100	9970740009	CONN AS	YMH025 - 04 + YBH - 03 + 1007 = 200
S31	602313-105	97P6262700	CONN WAFER	YMW-025-02 2.5MM
S31N	602313-098	9970720017	CONN AS	YMH025 - 02 + TUBE + 1007 = 500
S32	602313-105	97P6262700	CONN WAFER	YMW-025-02 2.5MM
S32N	602313-097	9970720018	CONN AS	YMH025 - 02 + TUBE + 1007 = 700
001	602313-299	7121401011	SCREW TAPPING	T2S PAN 4 × 10 MFZN
00090	602313-001	9970190094	ACCESSORY AS	CMC-1410PR
PS	602313-113	9979900020	CORD POWER	LP-34(A)/LS-13 H05VV-F
J	602313-111	9979900026	CORD AC	GFC-3R LP23 + LS13 6FT BLK
J	602313-112	9979900035	CORD POWER	3ANRP + 6ANRC + BLACK = 1800
01	602313-304	9970790017	SIGNAL CABLE AS	DY 4019 × 2 + 390099 - 01 = 1060
02	602313-305	9970790018	SIGNAL CABLE AS	H123P + HS9P + 32192 - 06 = 1060
03	602313-080	9970700349	CABLE SIGNAL AS	RCA2P + RCA2P = 1060
06	602313-191	9978600045	MANUAL INSTRUCTION	319124-01 (CMC-146PR)
07	602313-192	9978600118	CARD X-RAY	ART PAPER (1084, 1410PR)
00100	602313-115	9971013401	COVER FRONT AS	CMC-1410PR
00100	602313-114	9972012401	COVER FRONT	ABS IVR 0.747KG GY-117A
00110	602313-291	2221080945	RESIN ABS	H.N ABS-750 L/BEIGE 22504
00200	602313-195	UGC1101007	PAINT ABS	SKGM A-983-3
00300	602313-345	4856213400	WASHER RUBBER	TMR-CA/NF-01BK
00400	602313-313	9976011500	SPECIAL SCREW 5	5 × 25 SWRM + SPCC (T1.2) ZN
00600	602313-139	9972810501	DR	ABS IVR 30G GY-117A
00610	602313-291	2221080945	RESIN ABS	H.N ABS-750 L/BEIGE 22504
00700	602313-176	9974210602	KNOB VR	ABS BEG 2.5G GY-210B
00710	602313-290	2221080613	RESIN ABS	H.N 700 BEG V27578 GY210B
00800	602313-008	9974911202	BUTTON GREEN SW	ABS BEG 1G GY-210B
00810	602313-290	2221080613	RESIN ABS	H.N 700 BEG V27578 GY210B
00900	602313-182	4857920400	LOCK DOOR	TCB-1488MW
01000	602313-151	9973718400	GUIDE PCB R	ABS IVR 21G GY-117A
01010	602313-292	2221080943	RESIN ABS	HFA-700 V2850 IVORY
01100	602313-150	9973718500	GUIDE PCB L	ABS IVR 21G GY-117A
01110	602313-292	2221080943	RESIN ABS	HFA-700 V2850 IVORY
01200	602313-297	7122401011	SCREW TAPPING	T2S PAN 4 × 10 MFZN
01300	602313-203	9972710300	FOOT	TMR-CA BLK
01400	602313-205	9975413600	PLATE DECO	AL0.5 × 64 × 10
01500	602313-294	7121300811	SCREW TAPPING	T2S PLT 3 × 8 MFZN
00110	602313-117	9971412701	COVER REAR AS	CMC-1410PR
00100	602313-116	9972111601	COVER REAR	ABS IVR 1.1KG GY-117A
00110	602313-291	2221080945	RESIN ABS	H.N ABS-750 L/BEIGE 22504
00200	602313-298	7121401411	SCREW TAPPING	T2S PAN 4 × 14 MFZN
00300	602313-314	9976711300	SPRING SPEAKER	SWRM 01.0 TORSION
00400	602313-300	7128301211	SCREW TAPPING	T2S WAS 3 × 12 MFZN
00500	602313-300	7128301211	SCREW TAPPING	T2S WAS 3 × 12 MFZN
00600	602313-299	7142400811	SCREW TAPPING	T2S TRS 4 × 8 MFZN
00700	602313-326	9972913100	TILT	ABS IVR 15G GY-117A
00710	602313-292	2221080943	RESIN ABS	HFA-700 V2850 IVORY
00800	602313-203	9972710300	FOOT	TMR-CA BLK
00900	602313-177	9975413501	LABEL RATING	P.E 0.125 × 72 × 147 COM. IVR



Technical Training
Friedrich-Seele-Straße 10
3300 Braunschweig

Tel.: (05 31) 89 50 63 • Fax: (05 31) 8 57 74