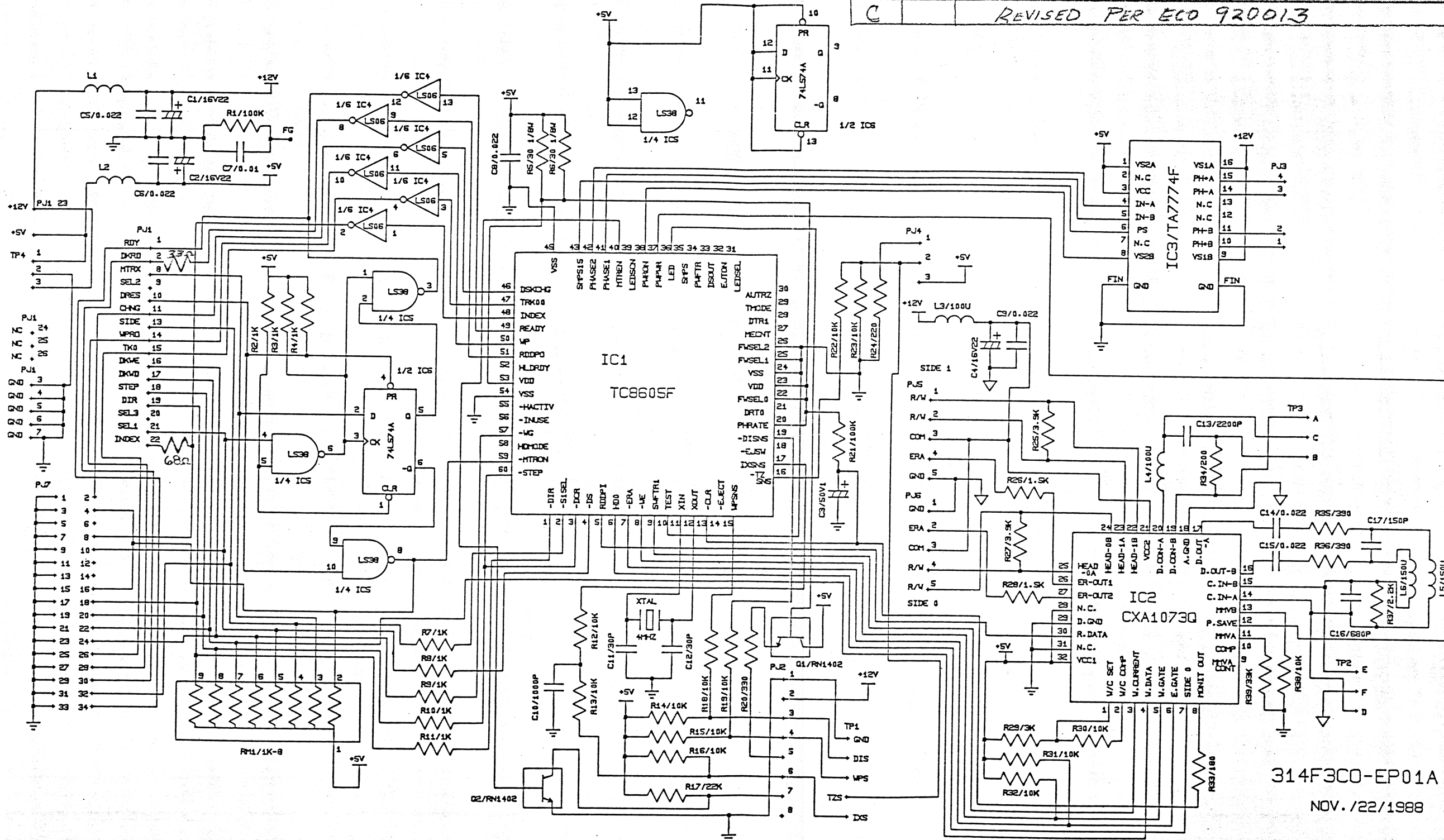


REVISIONS

LTR	ZONE	DESCRIPTION	DATE	APPROVED
A		PILOT PRODUCTION RELEASE	3/1/89	[Signature]
B		REVISED PER ECO 890024	9-13-89	RMB
C		REVISED PER ECO 920013	1-9-92	RMB



314F3CO-EP01A
NOV./22/1988

© 1988 COMMODORE AMIGA INC.
INFORMATION CONTAINED HEREIN IS THE UNPUBLISHED AND CONFIDENTIAL PROPERTY OF COMMODORE AMIGA INC. USE, REPRODUCTION OR DISCLOSURE OF THIS INFORMATION WITHOUT THE PRIOR WRITTEN PERMISSION OF COMMODORE IS STRICTLY PROHIBITED. ALL RIGHTS RESERVED

<p>UNLESS OTHERWISE SPECIFIED TOLERANCES ON: DECIMALS</p> <table border="1"> <tr> <td>.X</td> <td>.XX</td> <td>.XXX</td> <td>∠S</td> </tr> <tr> <td>±</td> <td>±</td> <td>±</td> <td>±</td> </tr> </table>	.X	.XX	.XXX	∠S	±	±	±	±	<p>DRAWN BY: R. Jda</p> <p>DATE: 2-16-89</p>	<p>commodore</p> <p>SCHMATIC, FDD, A1011</p>
	.X	.XX	.XXX	∠S						
	±	±	±	±						
	<p>CHKD:</p> <p>ENGR:</p> <p>APPR:</p>	<p>USED ON: A1011 (D1A11)</p> <p>NEXT ASSY: 310310</p>								
<p>MATERIAL:</p> <p>FINISH:</p>	<p>SIZE: B</p> <p>REV: C</p>									
<p>310320</p>										