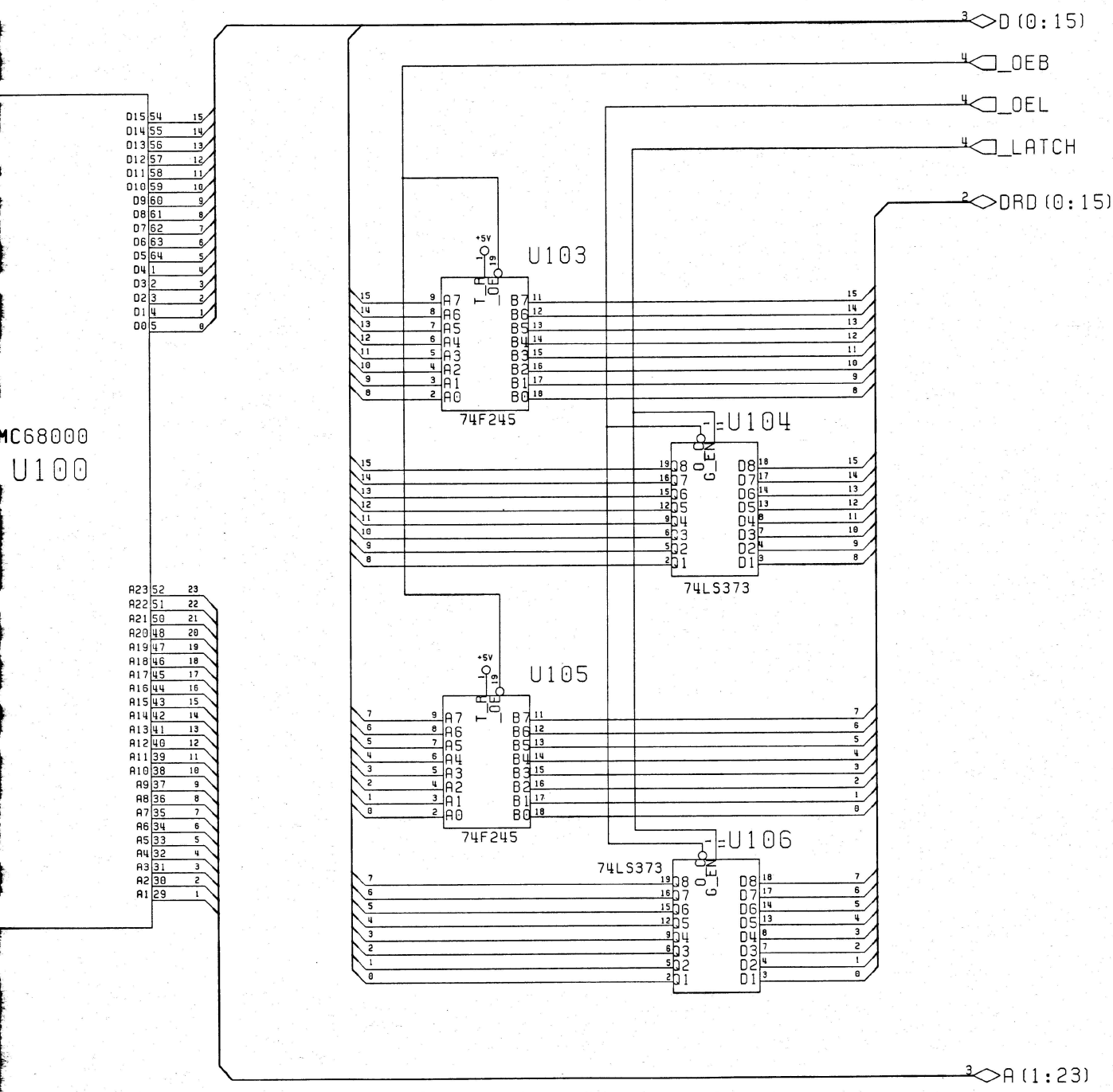


15
14
13
12
11
10
9
8

15
14
13
12
11
10
9
8

7
6
5
4
3
2
1
0

7
6
5
4
3
2
1
0



MC68000
U100

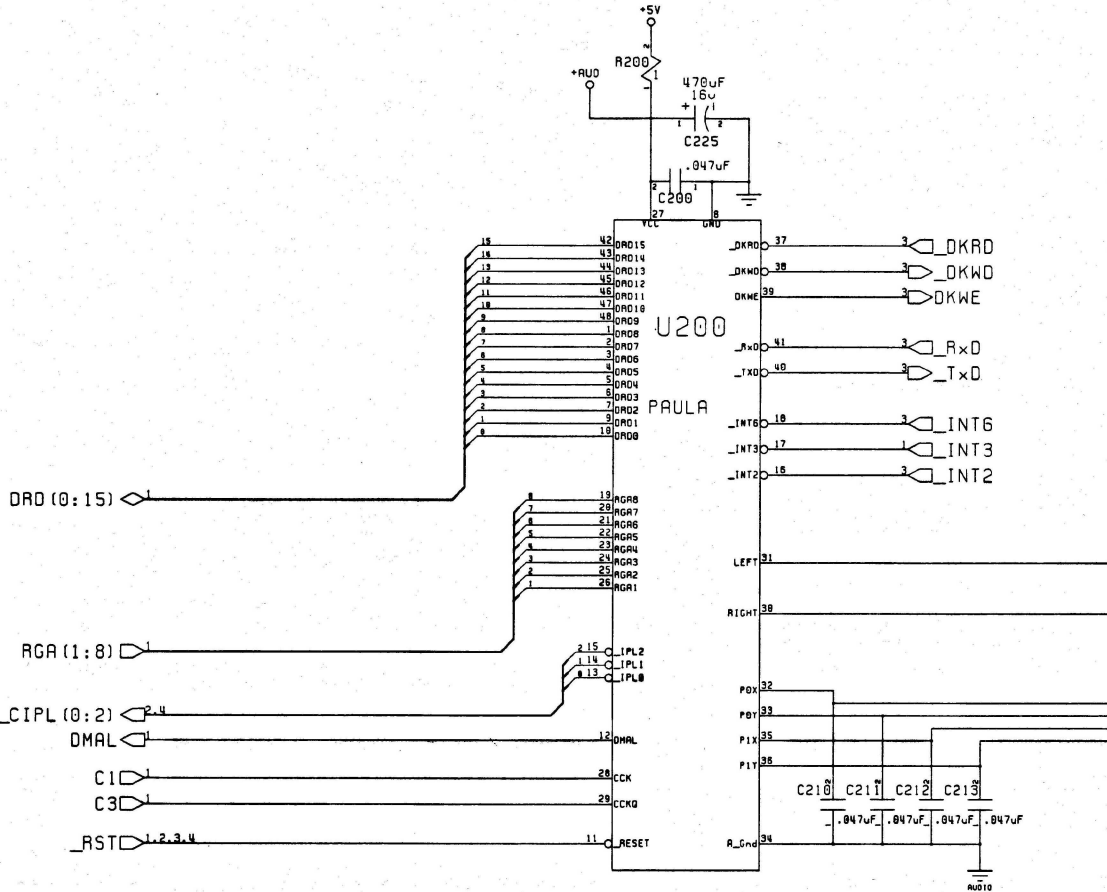
- D15 54 15
- D14 55 14
- D13 56 13
- D12 57 12
- D11 58 11
- D10 59 10
- D9 60 9
- D8 61 8
- D7 62 7
- D6 63 6
- D5 64 5
- D4 1 4
- D3 2 3
- D2 3 2
- D1 4 1
- D0 5 0

- A23 52 23
- A22 51 22
- A21 50 21
- A20 48 20
- A19 47 19
- A18 46 18
- A17 45 17
- A16 44 16
- A15 43 15
- A14 42 14
- A13 41 13
- A12 40 12
- A11 39 11
- A10 38 10
- A9 37 9
- A8 36 8
- A7 35 7
- A6 34 6
- A5 33 5
- A4 32 4
- A3 31 3
- A2 30 2
- A1 29 1

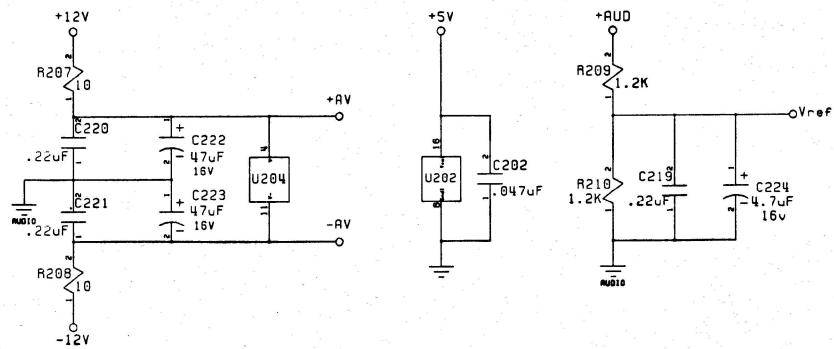
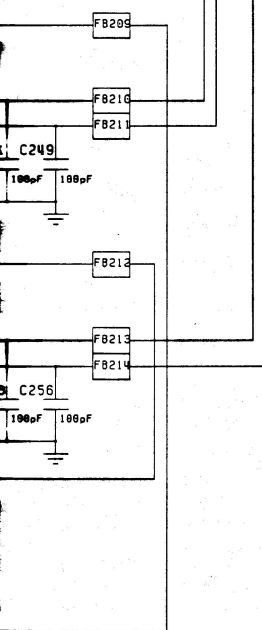
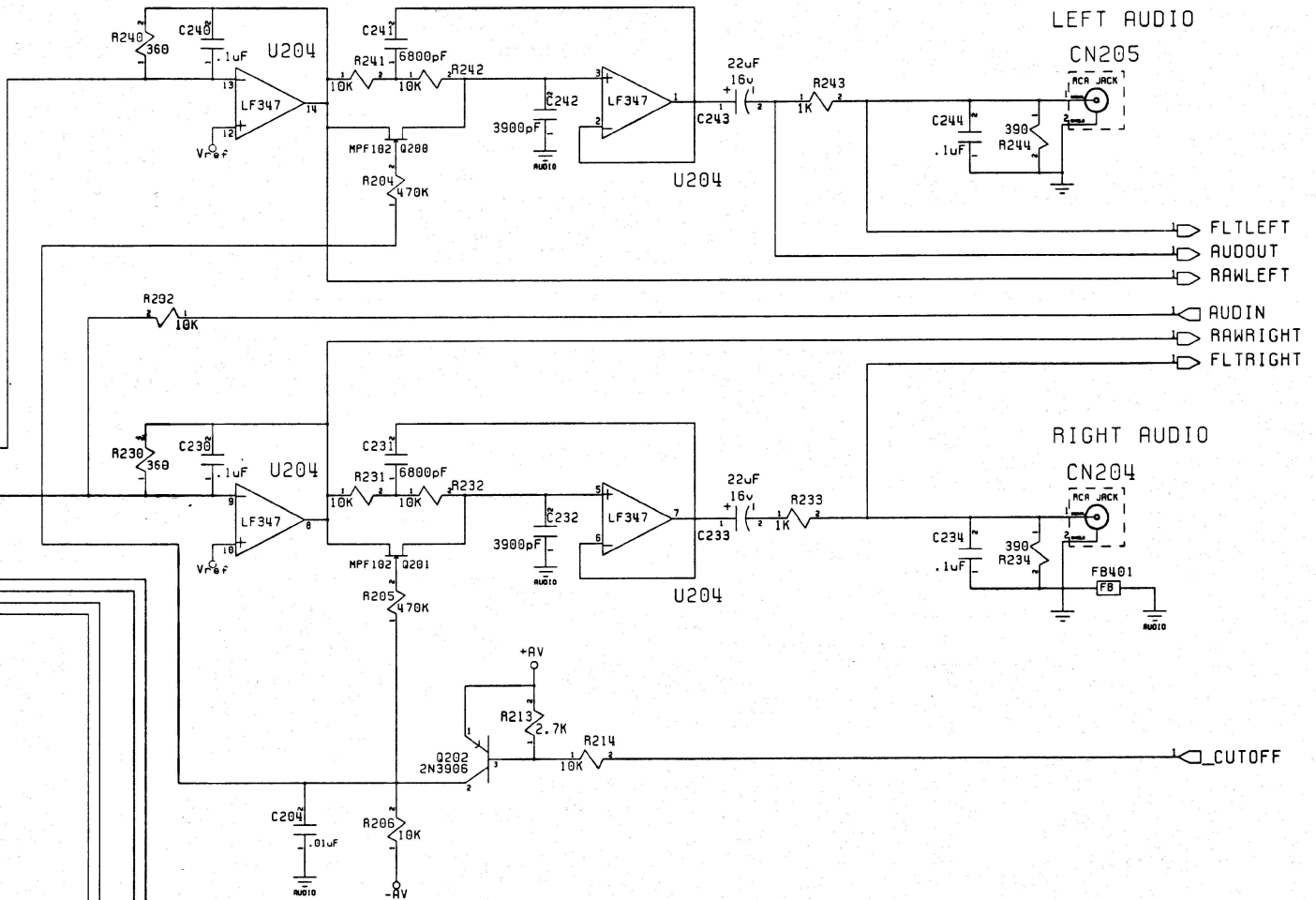
C106
0.047uF

Something in the way she moves..

UNLESS OTHERWISE SPECIFIED		DRAWN BY: Dave Haynie	DATE: 4/28/87	Commodore	
.X .XX .XXX		CHKD:		B2000	
± ± ± ±		ENGR: OBH		Processor	
MATERIAL:		APPR:		31272	
FINISH:		USED ON: a2000-cn	NEXT: 312725	ASST:	REV: 2
				SIZE: 31272	SHEET 1 OF 12

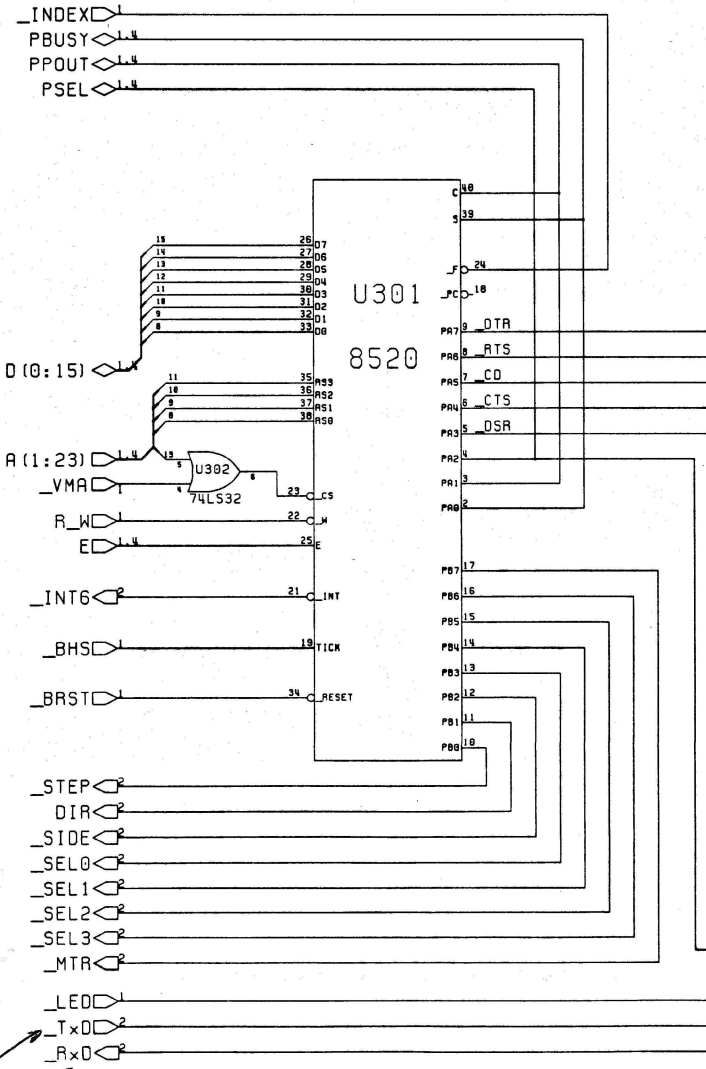


+5V_USER

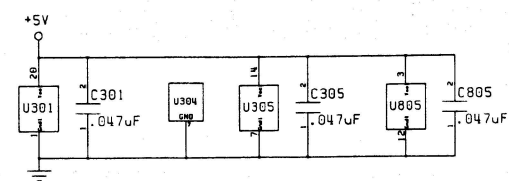
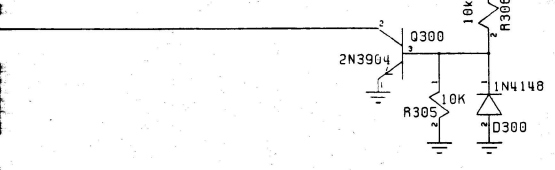
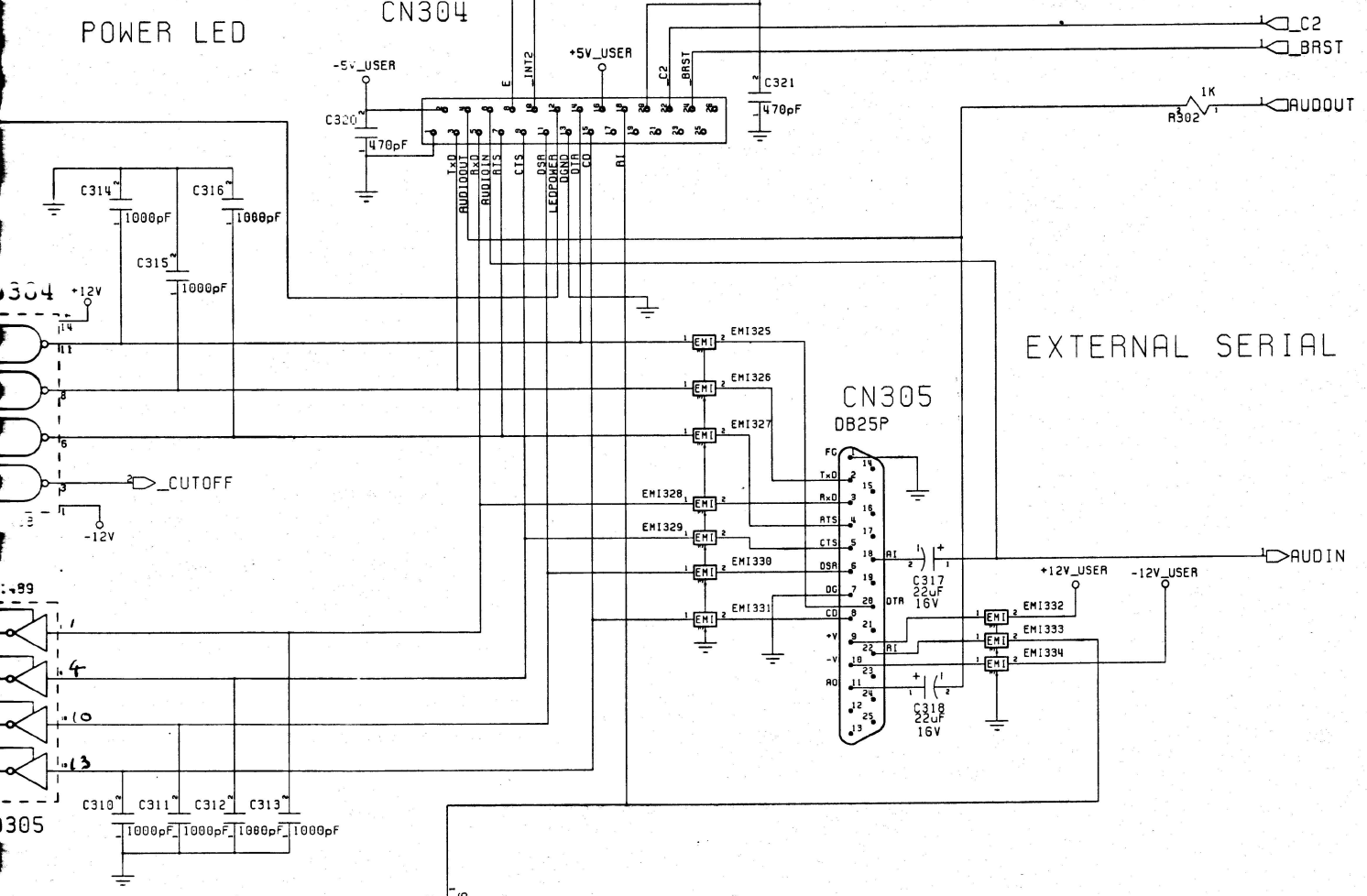
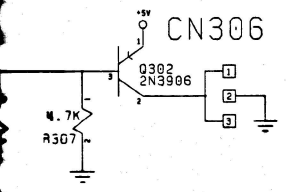
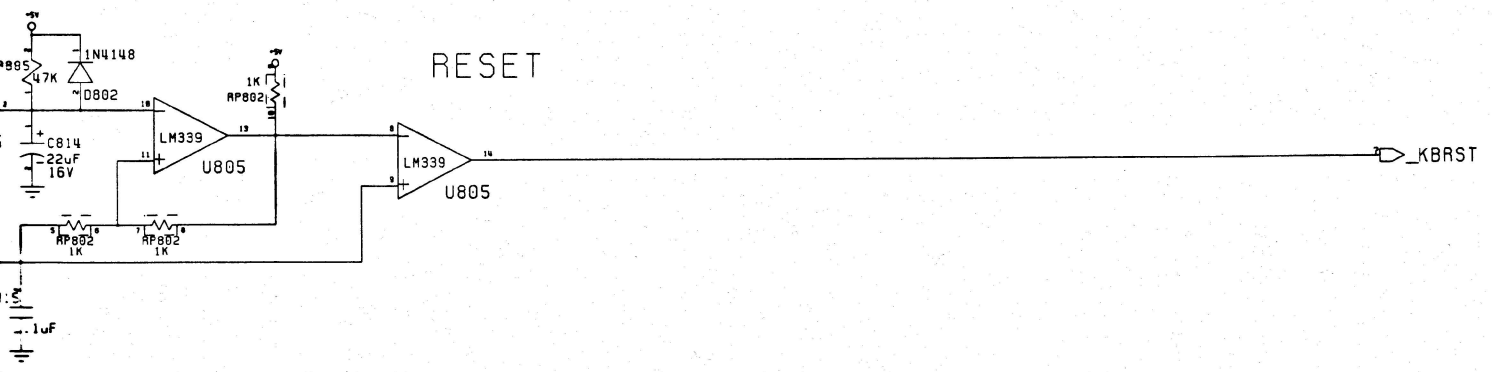


I'm pickin' up good vibrations...

UNLESS OTHERWISE SPECIFIED:		DATE	Comodore
DRAWN BY:		DATE	B2000
ENGR: DBH		DATE	Audio
MATERIAL:		USED ON	SCALE
FINISH:		NEXT ASST	REV
		312725	2
			SHEET 2 OF 12



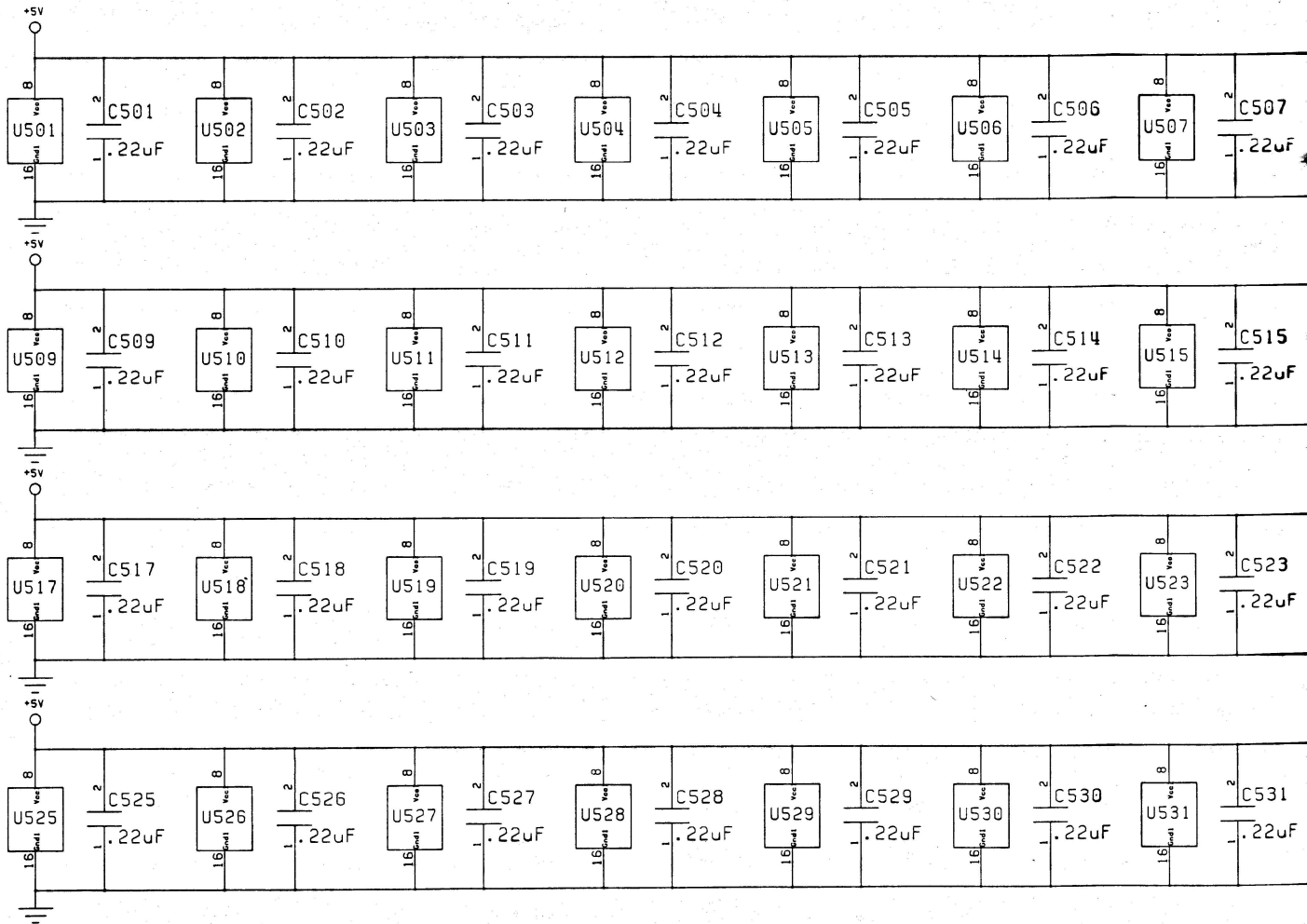
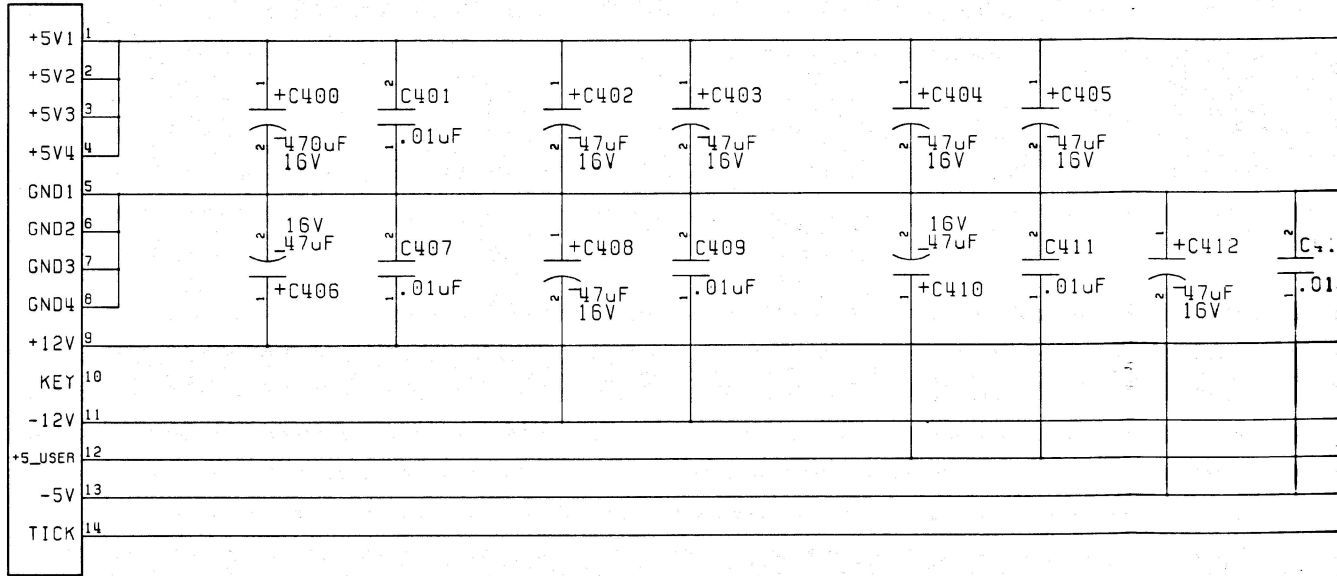
Pin 40 PAULA
 Pins 41 PROCA

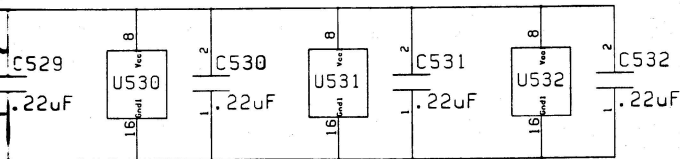
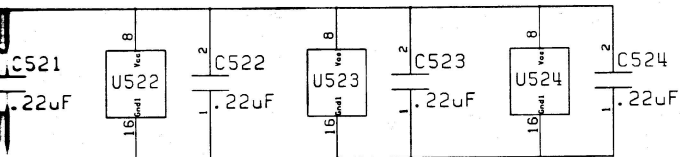
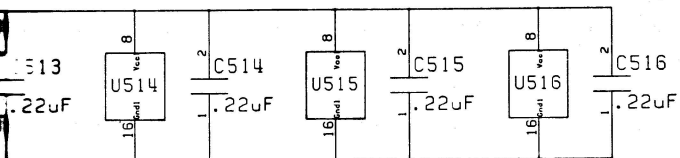
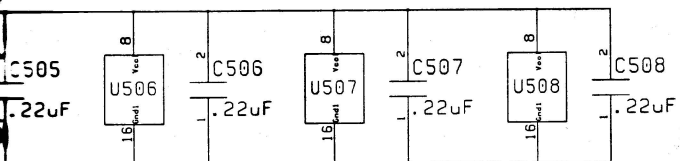
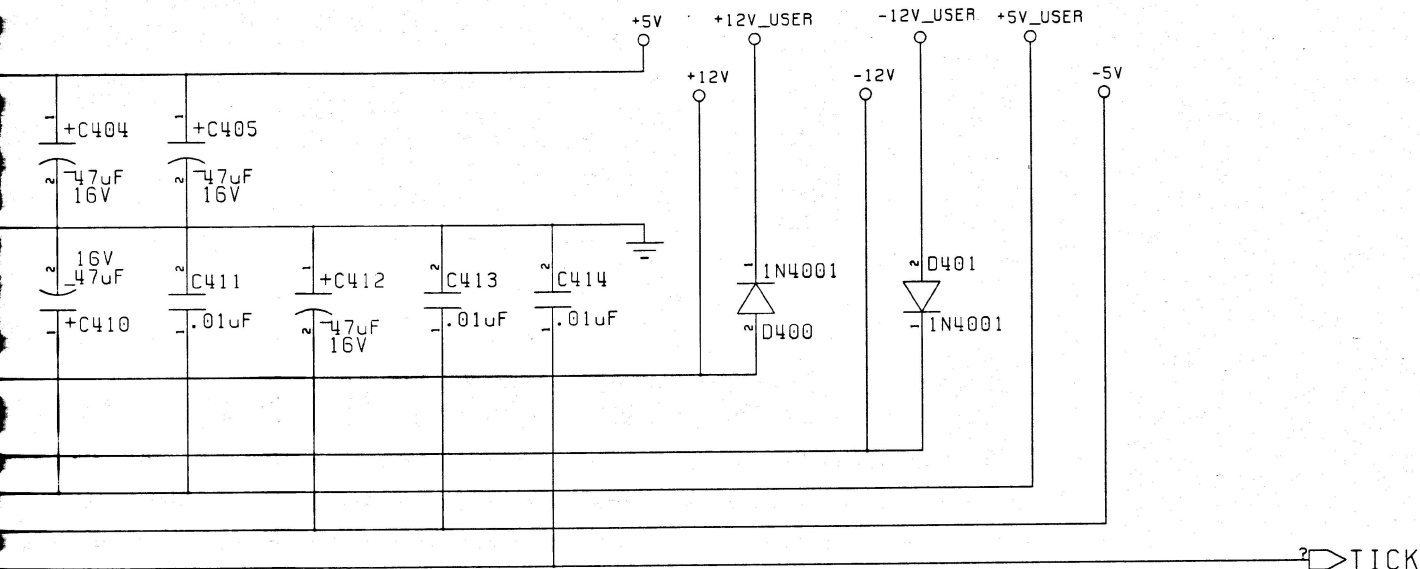


Can't you hear my call
(though you're many years away)

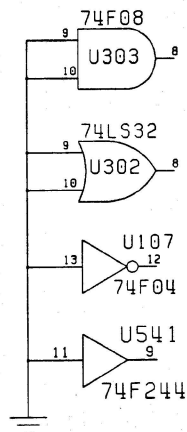
UNLESS OTHERWISE SPECIFIED	DRAWN BY: []	DATE: []	Commodore
CHKD: []	CHKD: []	CHKD: []	B2000
ENGR: []	ENGR: []	ENGR: []	Serial and Reset
APPR: []	APPR: []	APPR: []	8 312726 2
MATERIAL:	USED ON: []	NEXT ASSY: []	SCALE: []
FINISH:	REV: []	REV: []	ISHEET 3 OF 12

CN400
POWER_CONN





SPARES



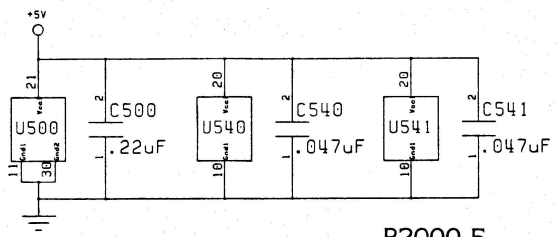
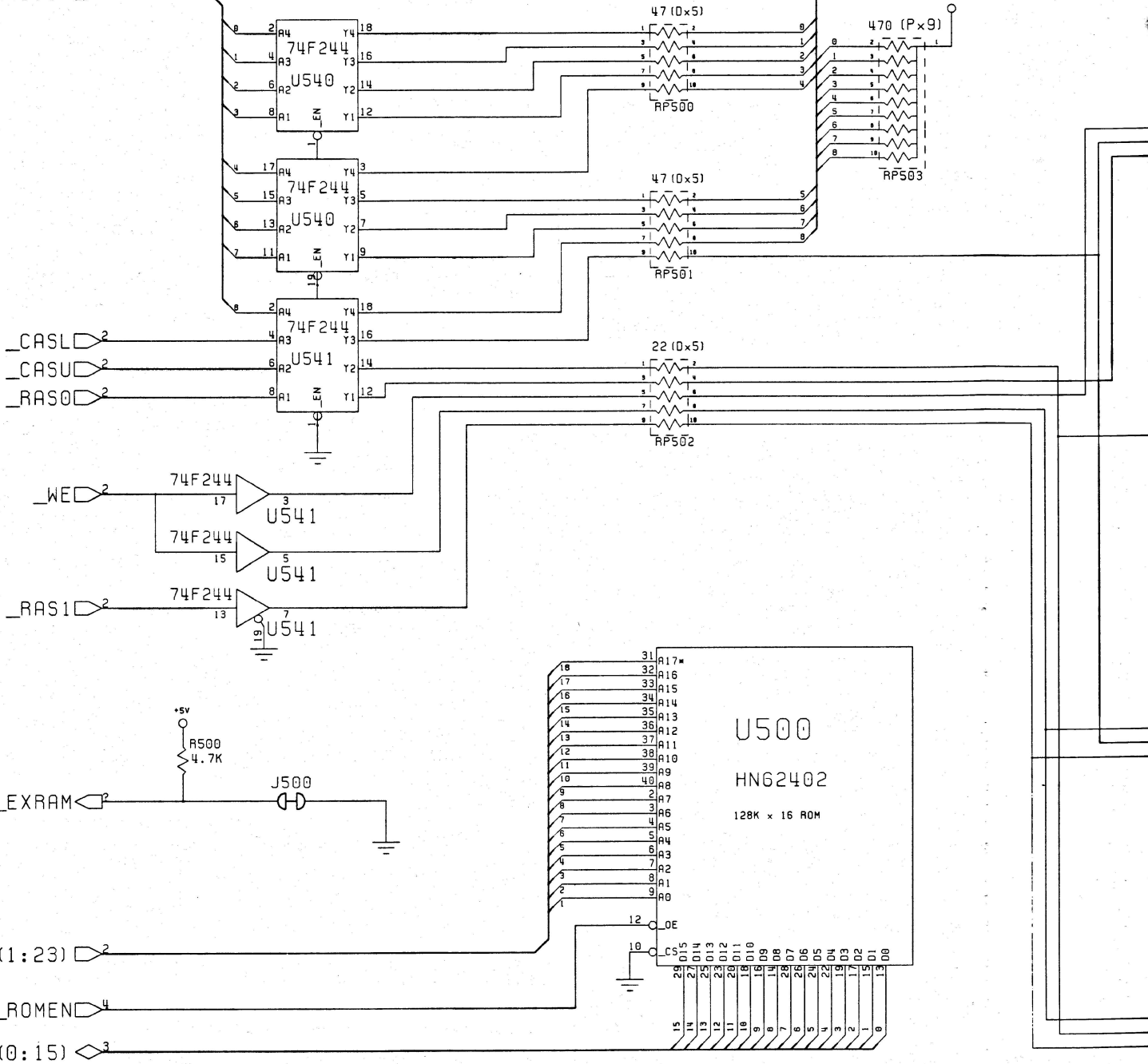
Baby, we were born to run...

UNLESS OTHERWISE SPECIFIED				DRAWN BY: Dave Mayne	DATE: 4/27/87	Commodore B2000 Power
.X	.XX	.XXX	∠°	CHKD:		
±	±	±	±	ENGR: DBM	4/27/87	
MATERIAL:				APPR:		
FINISH:				USED ON: A2000-CN	NEXT ASSY: 312725	SIZE: B
						312726
						REV: 2
						SCALE: SHEET 4 OF 12

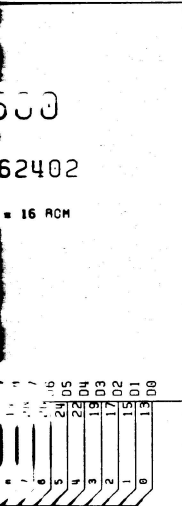
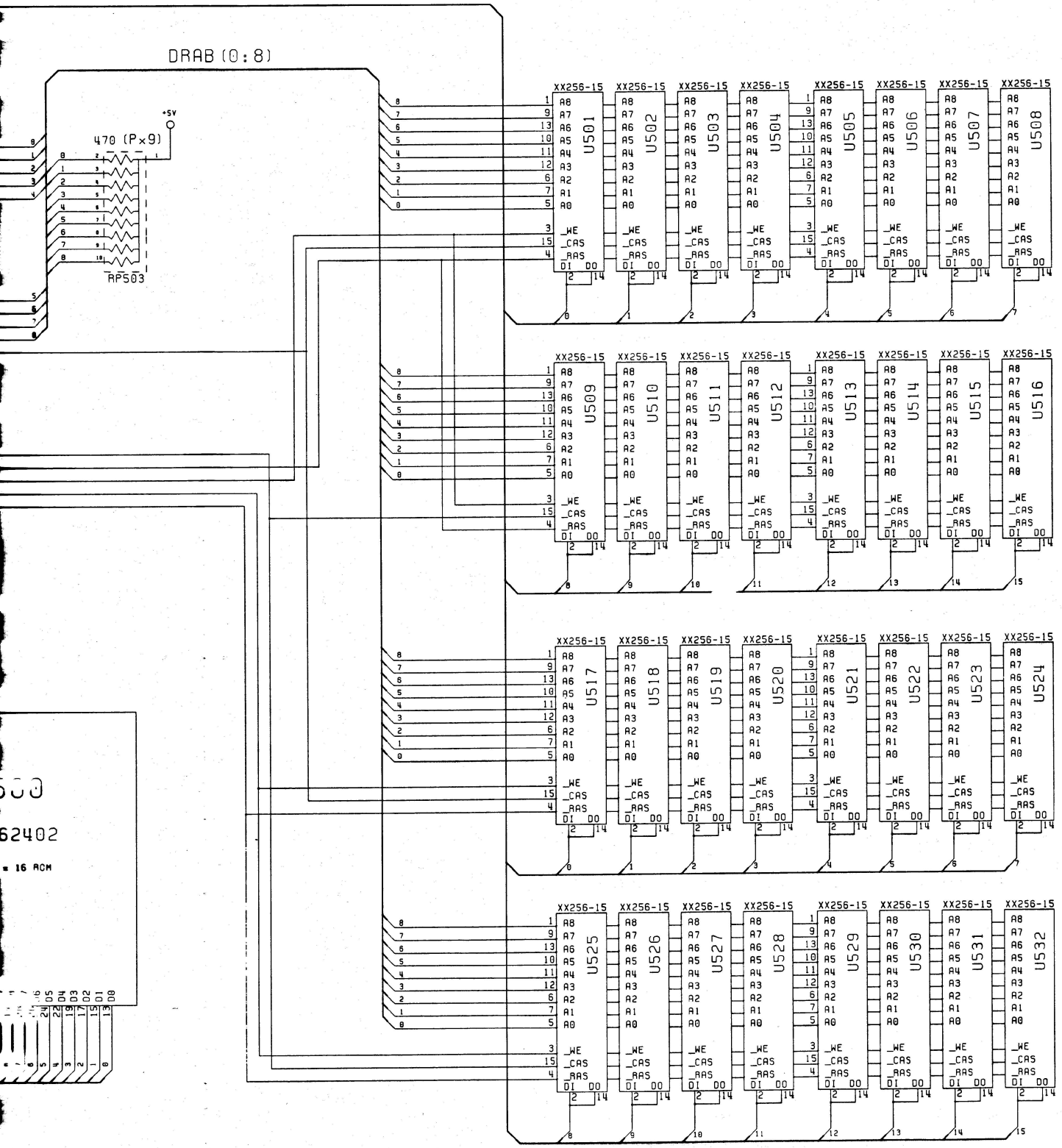
DRD (0:15) \diamond 2

DRAB (0:8)

DRA (0:8) \diamond 2

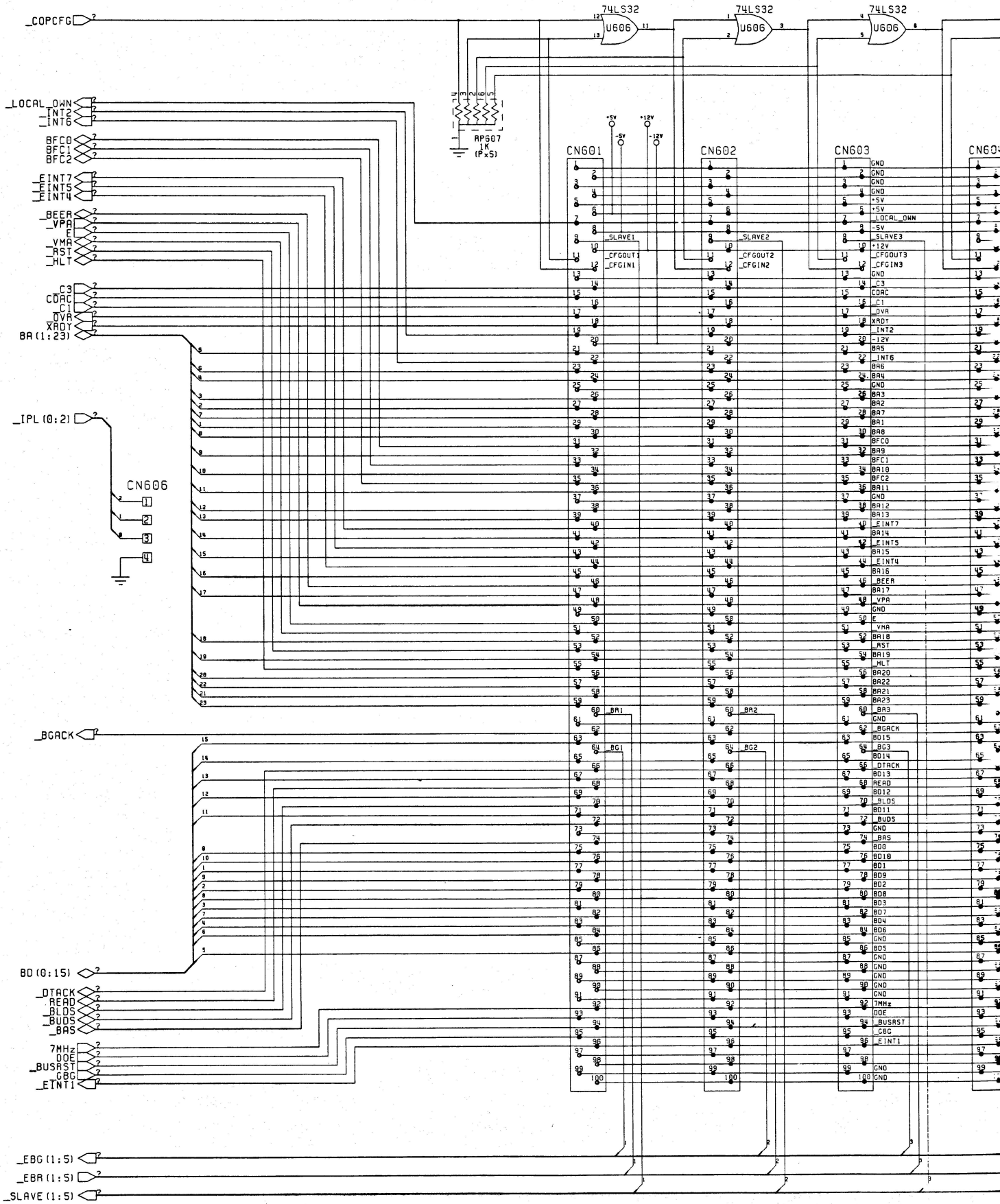


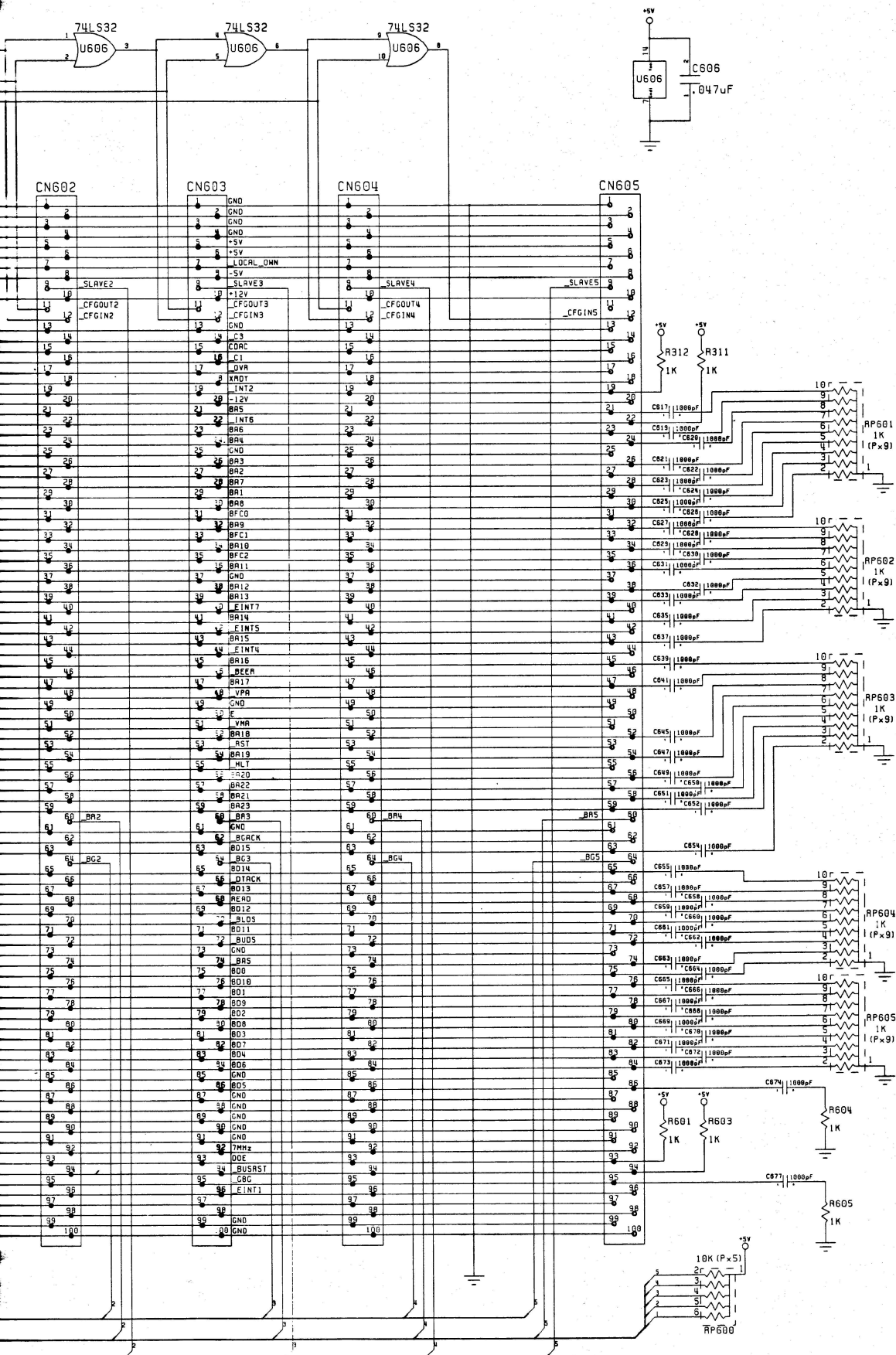
B2000-5



Memories (all alone in the moonlight)

UNLESS OTHERWISE SPECIFIED		DRAWN BY: Dave Haynie	DATE: 4/27/87
.X	.XX	.XXX	✓'S
+	+	+	+
MATERIAL:		USED ON: A2000-CP	NEXT ASST: 312725
FINISH:			
Commodore			
B2000			
Memory			
SIZE	B	312726	REV 2
SCALE		SHEET 5 OF 12	

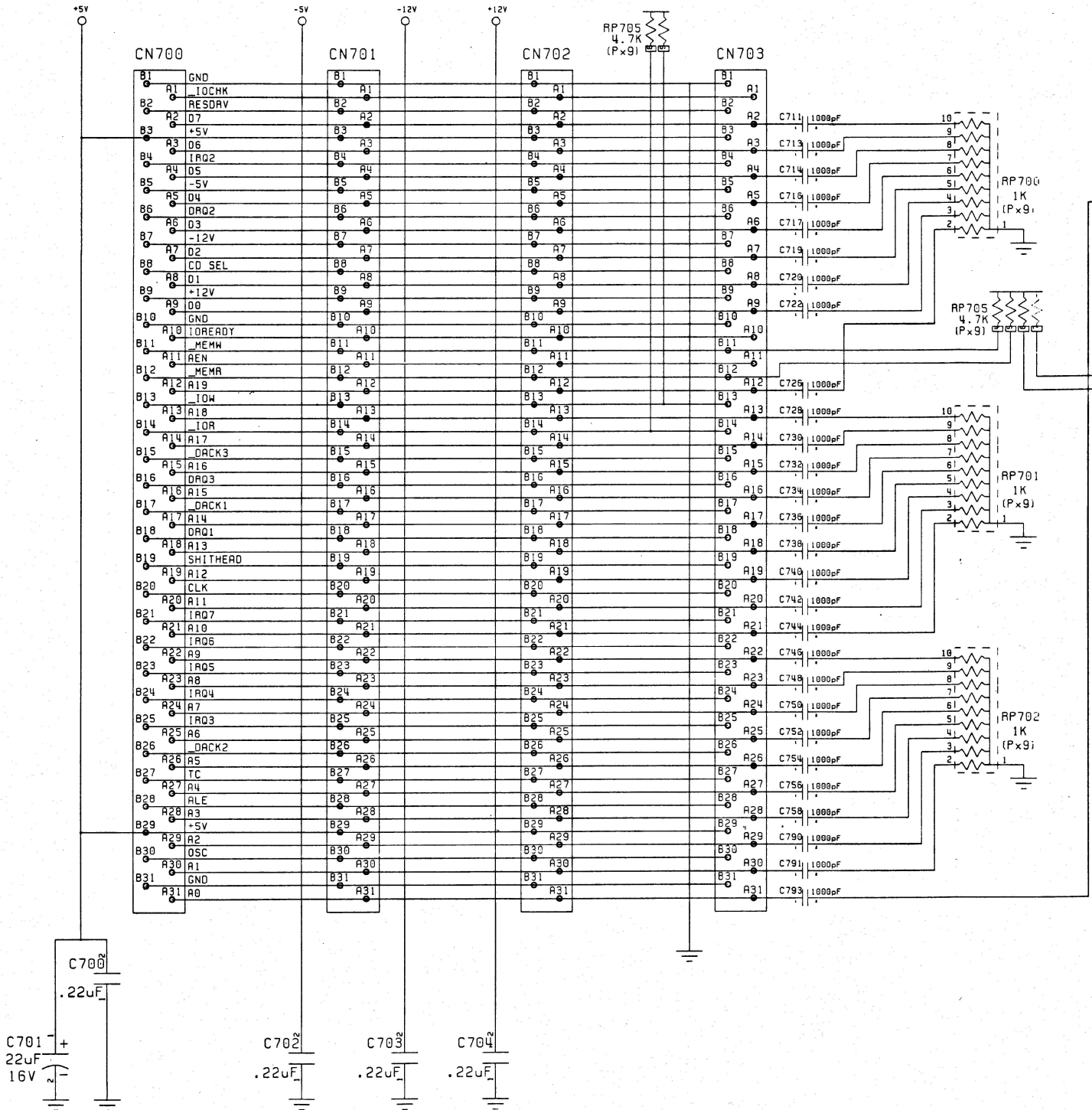




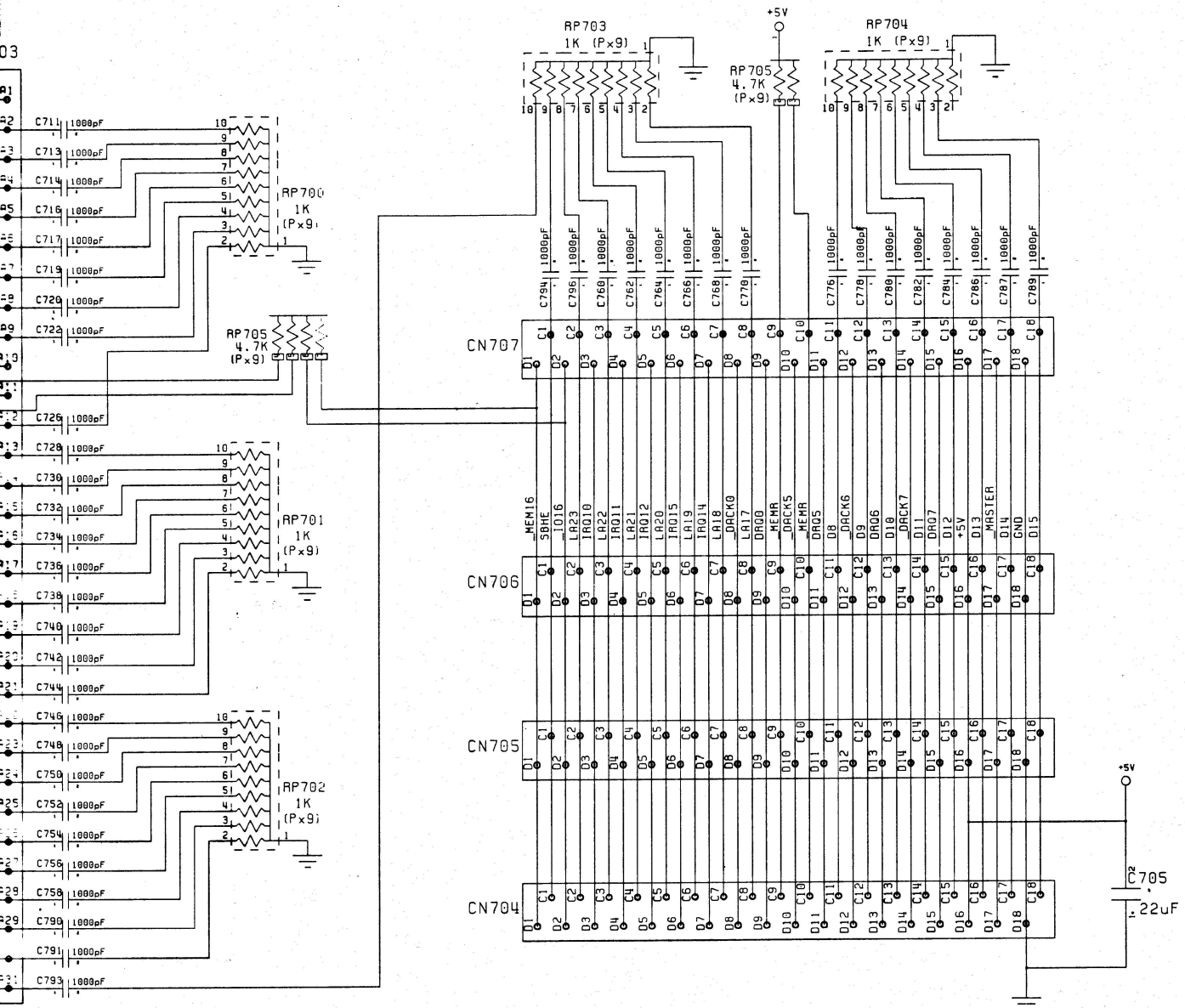
Goes like thunder: It's a Bus-Age wonder!

UNLESS OTHERWISE SPECIFIED		DATE	Commodore
DRAWN BY: Dave Maguire		DATE: 12/27/82	B2000
.1 .2X .XXX		CHKD: APPA	Aniga Expansion
MATERIAL:		USED ON: 312725	SIZE: B 312726
FINISH:		312725	SHEET 6 OF 12

IBM 8 BIT EXPANSION BUS

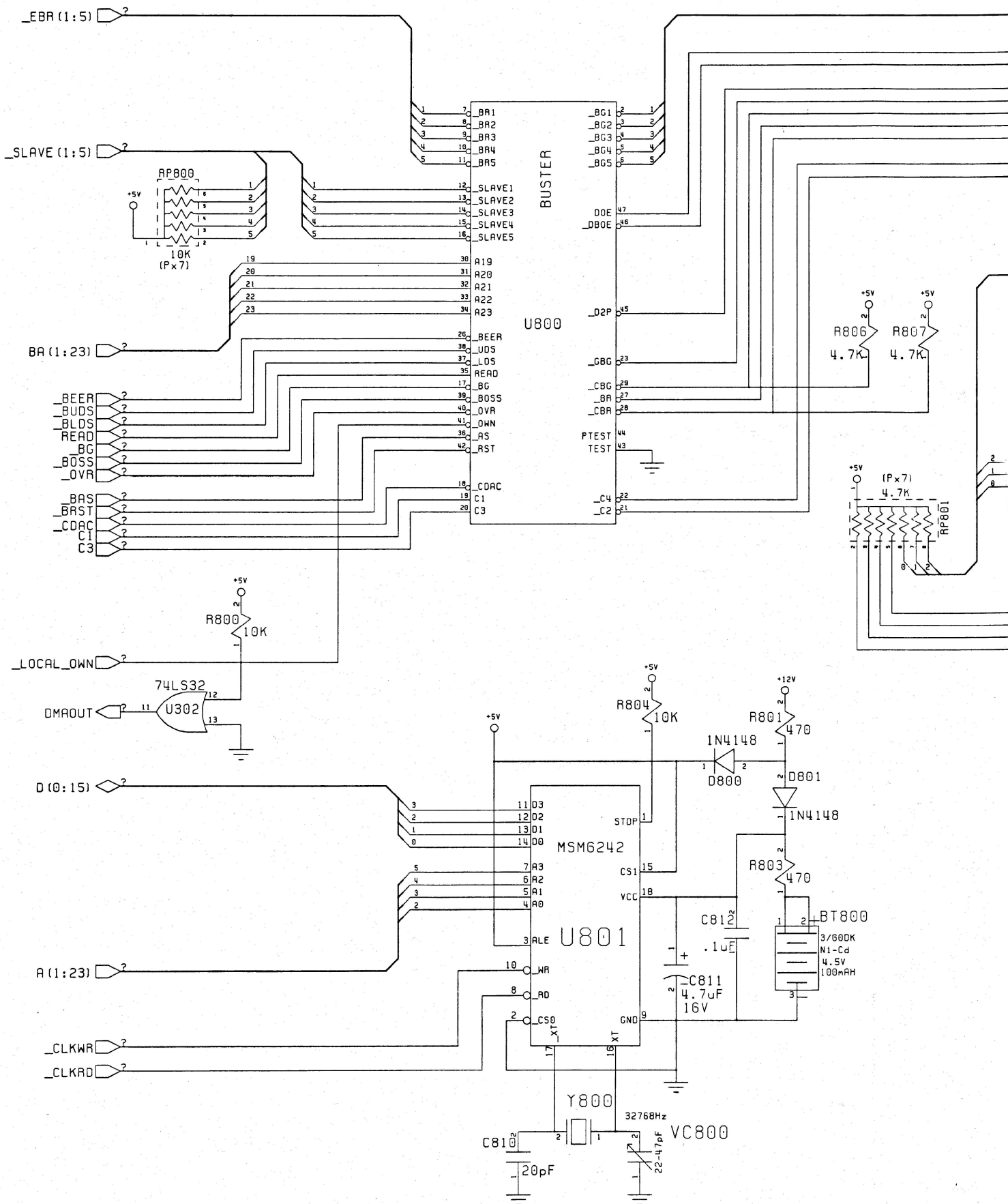


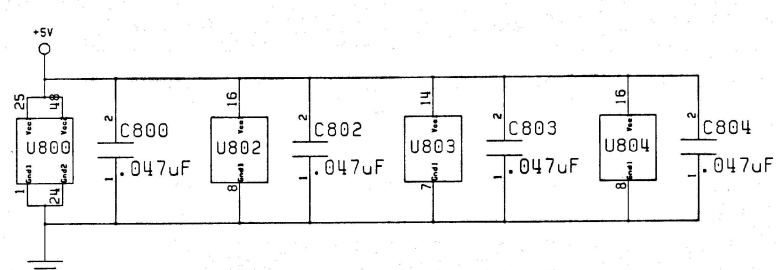
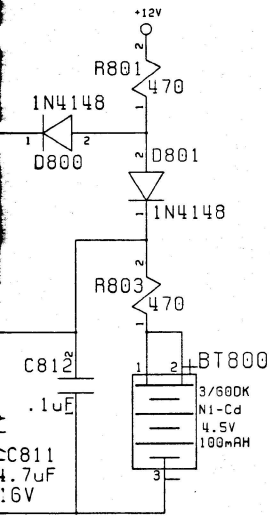
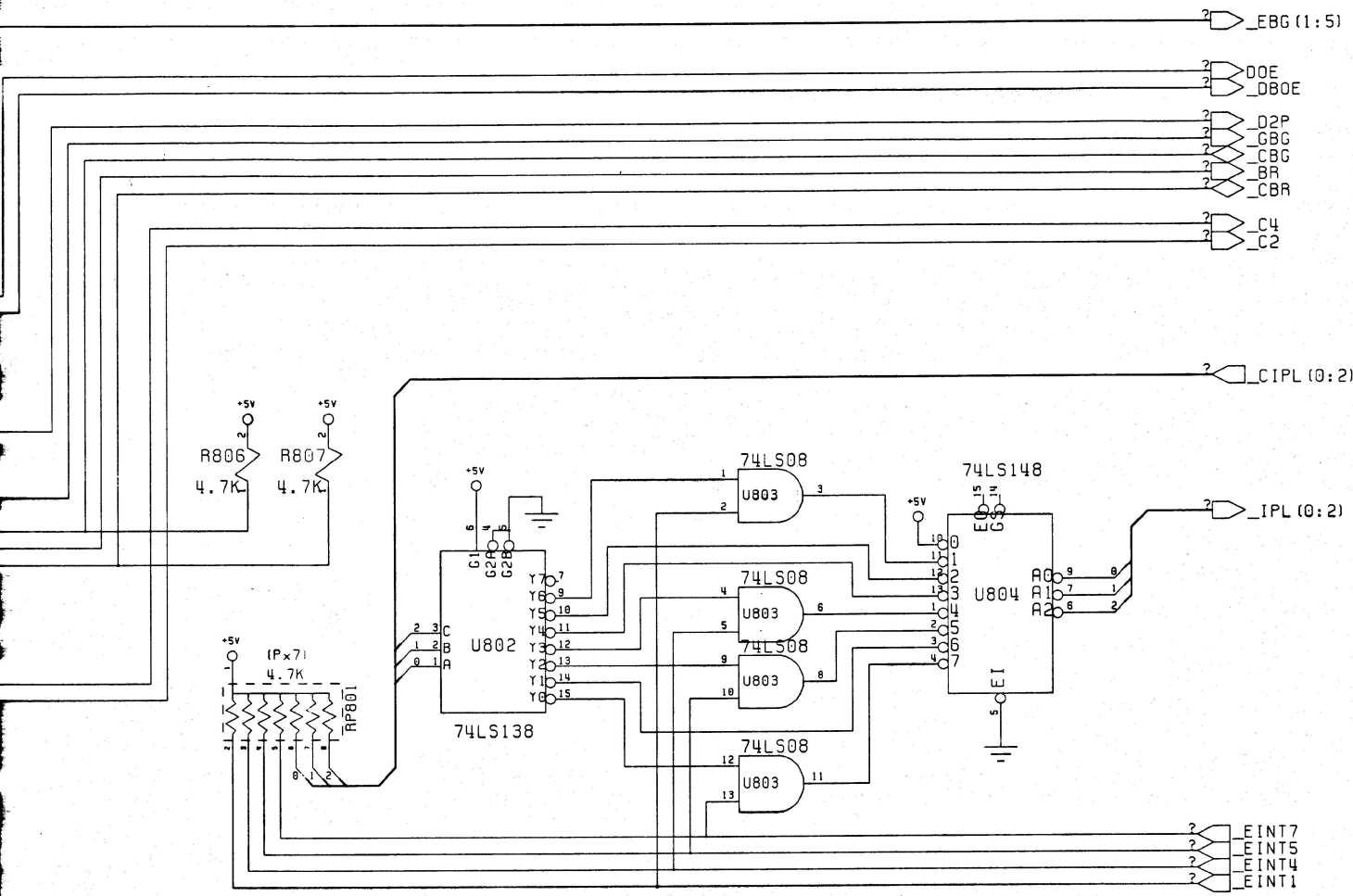
IBM 16 BIT EXTENDED BUS



I wait in this place,
where the sun never shines

UNLESS OTHERWISE SPECIFIED		DRAWN BY: Dave Maguire		DATE: 4/27/87	Commodore B2000 IBM PC Bus
.X .XX .XXX 1/5		CHKD: ENGR: DBH		DATE: 4/27/87	
+ + + +		APPR:			
MATERIAL:		USED ON:	NEXT ASSY:		
FINISH:		A2808-CR	312725	SIZE: B	REV: 2
				SCALE:	SHEET 7 OF 12

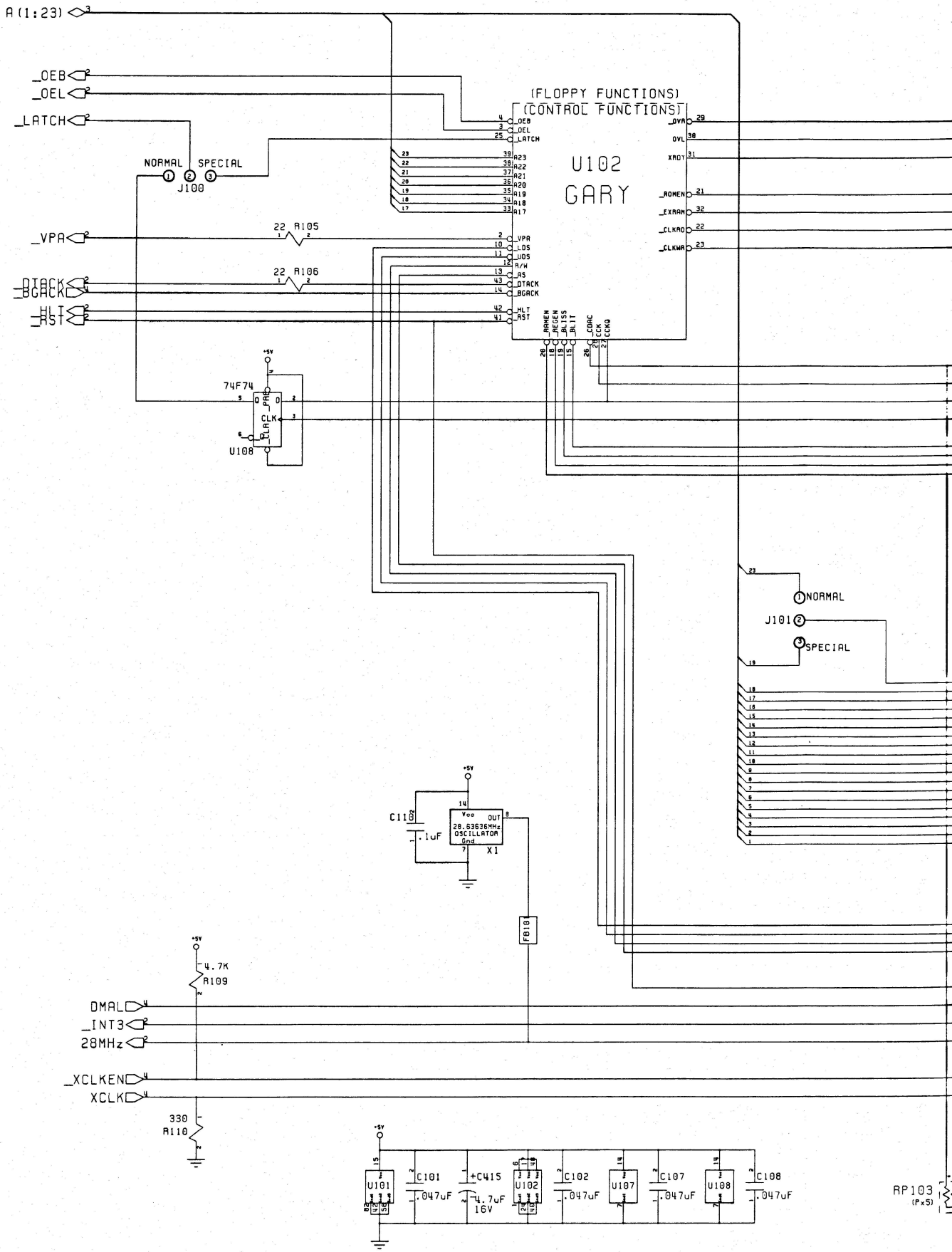




C800

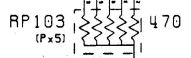
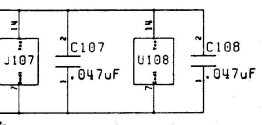
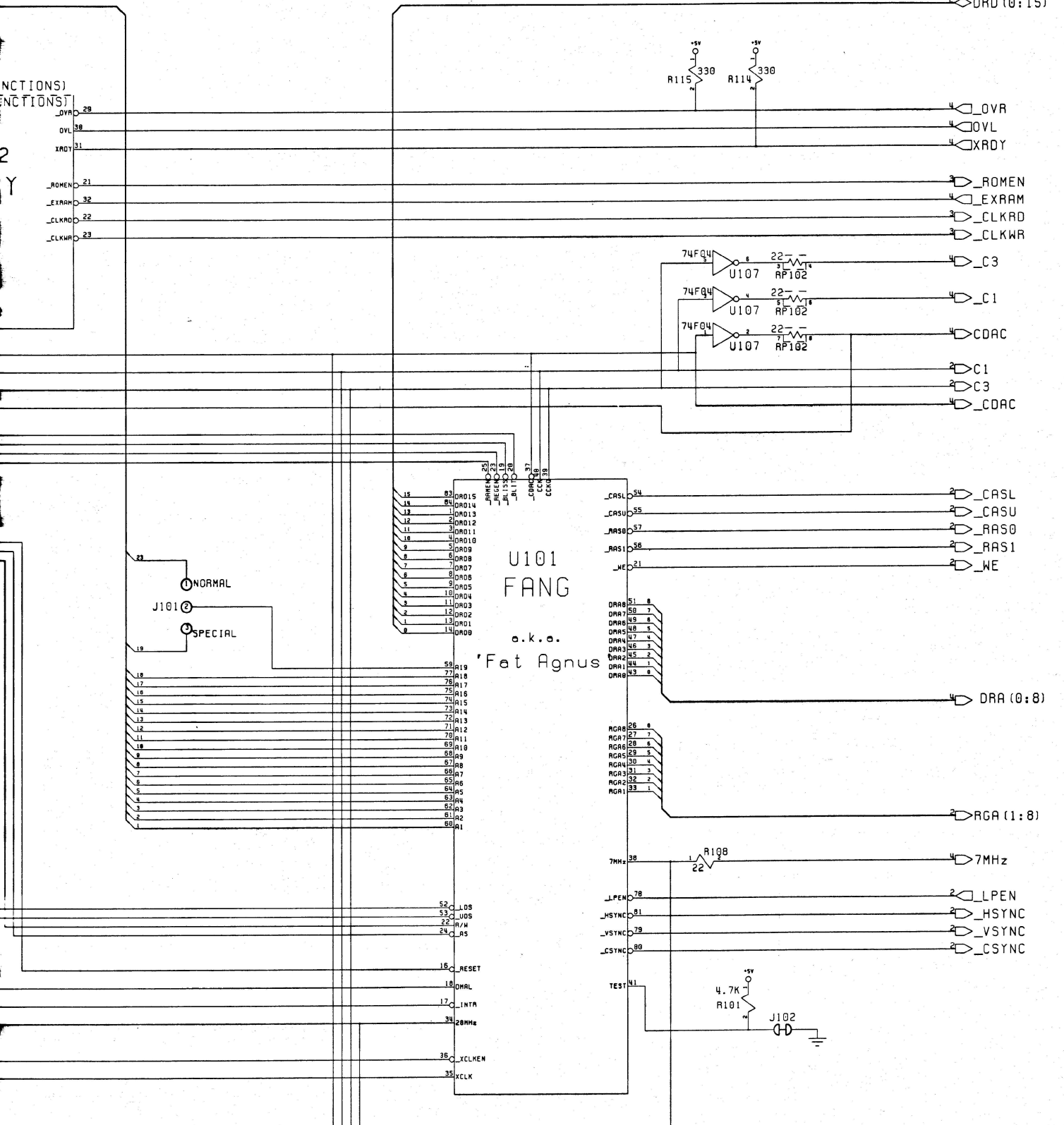
Does anybody really know what time it is?

UNLESS OTHERWISE SPECIFIED		DRAWN BY: Dave Heynig	DATE: 4/27/87	Commodore B2000 Expansion Logic
.X	.XX	.XXX	1/5	
+	+	+	+	
MATERIAL:	USED ON	NEXT ASSY		
FINISH:	A2000-CN	312725		SIZE B 312726 REV 2
SCALE				SHEET 8 OF 12



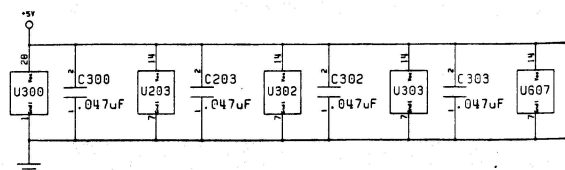
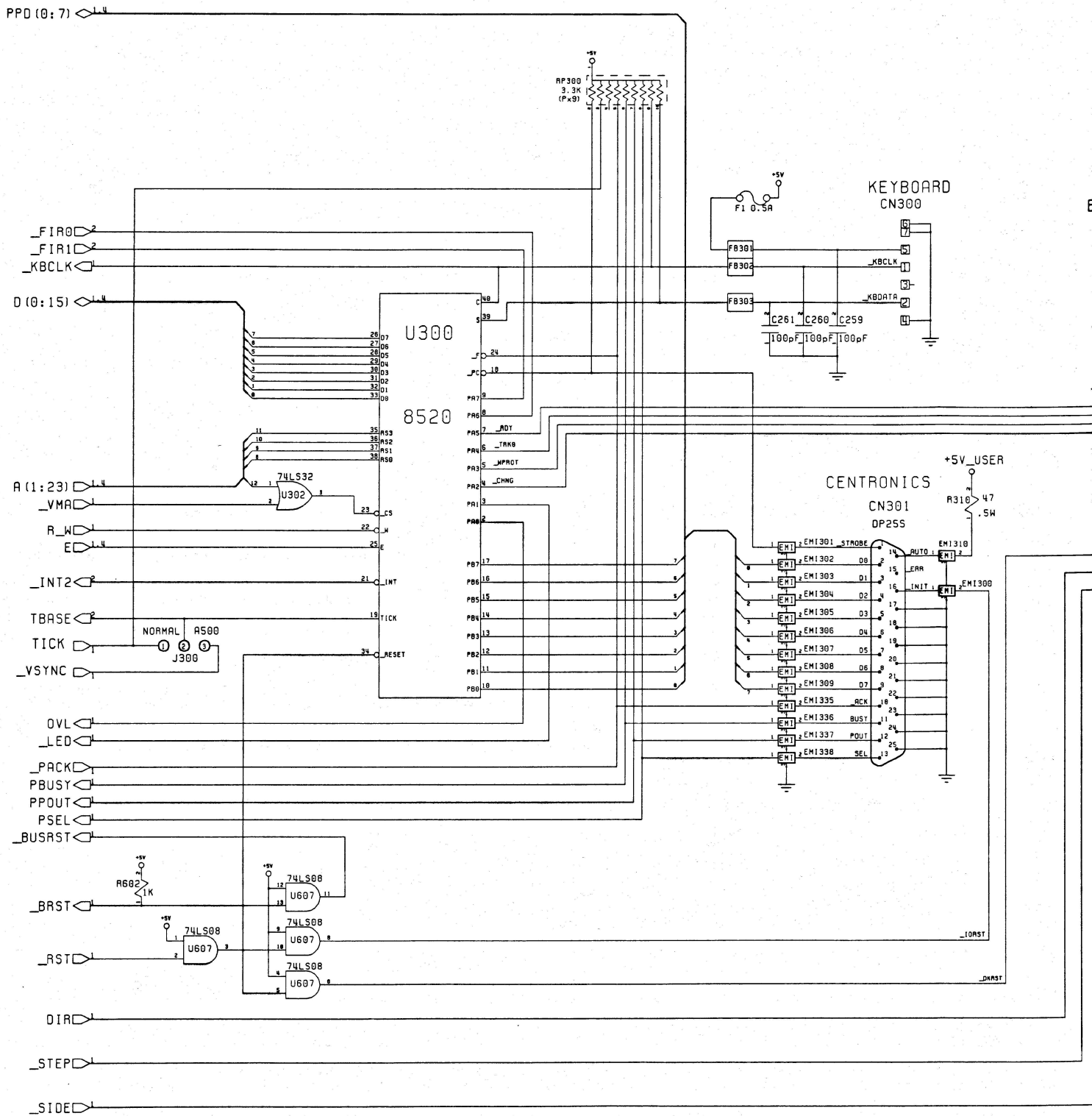
B2000-9

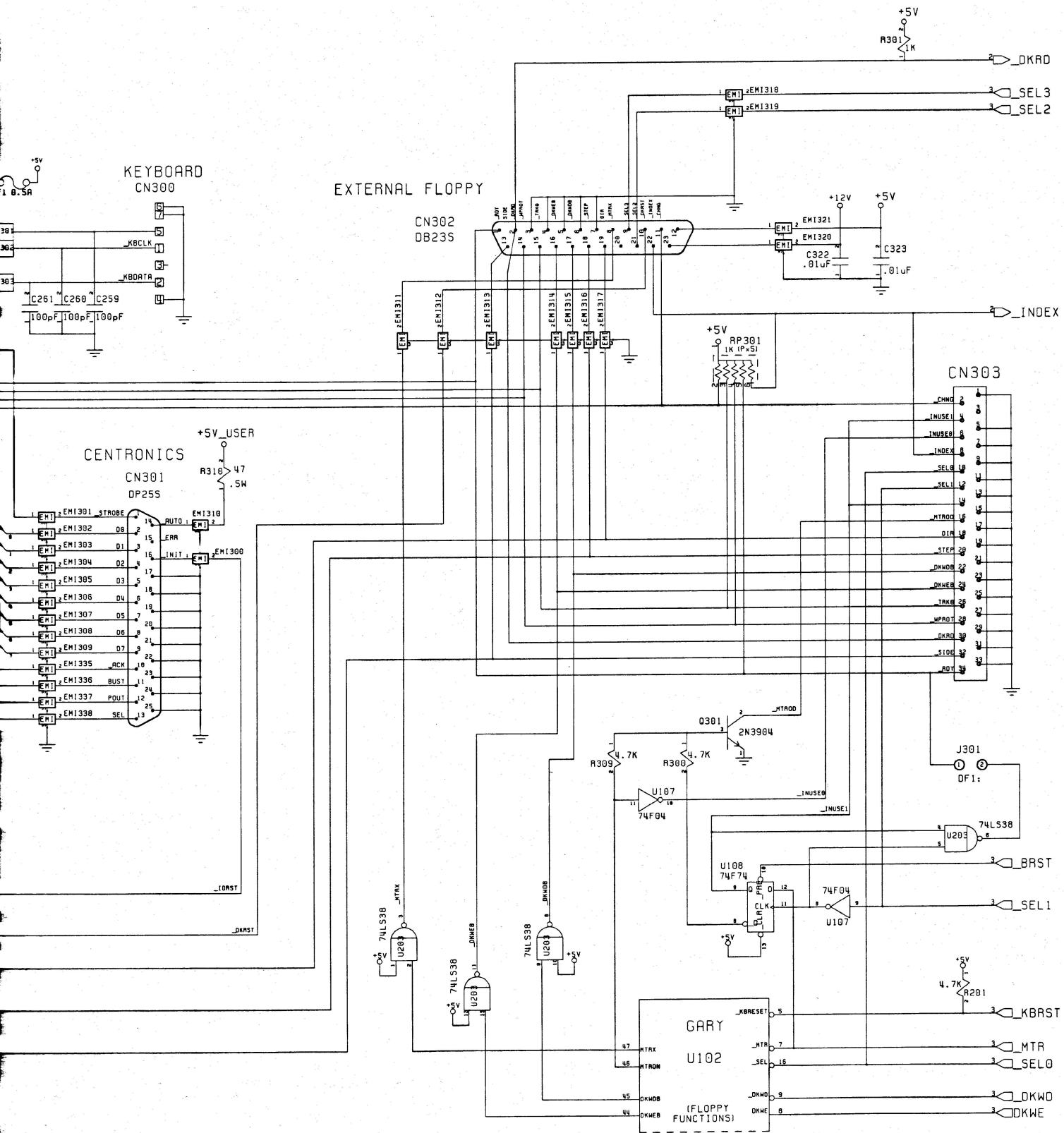
FUNCTIONS)
FUNCTIONS)



Deep down inside, I've got a Rock-n-Roll heart

UNLESS OTHERWISE SPECIFIED	DATE: 04/22/87	Comodore
DESIGNED BY: DAVE HENNING	ENGR: DDM	B2000
APP'D:	DATE: 04/22/87	Agnus and Gary
MATERIAL:	USED ON: 312725	SIZE: B
FINISH:	NEXT ASST: 312725	REV: 2
		SCALE: SHEET 9 OF 12

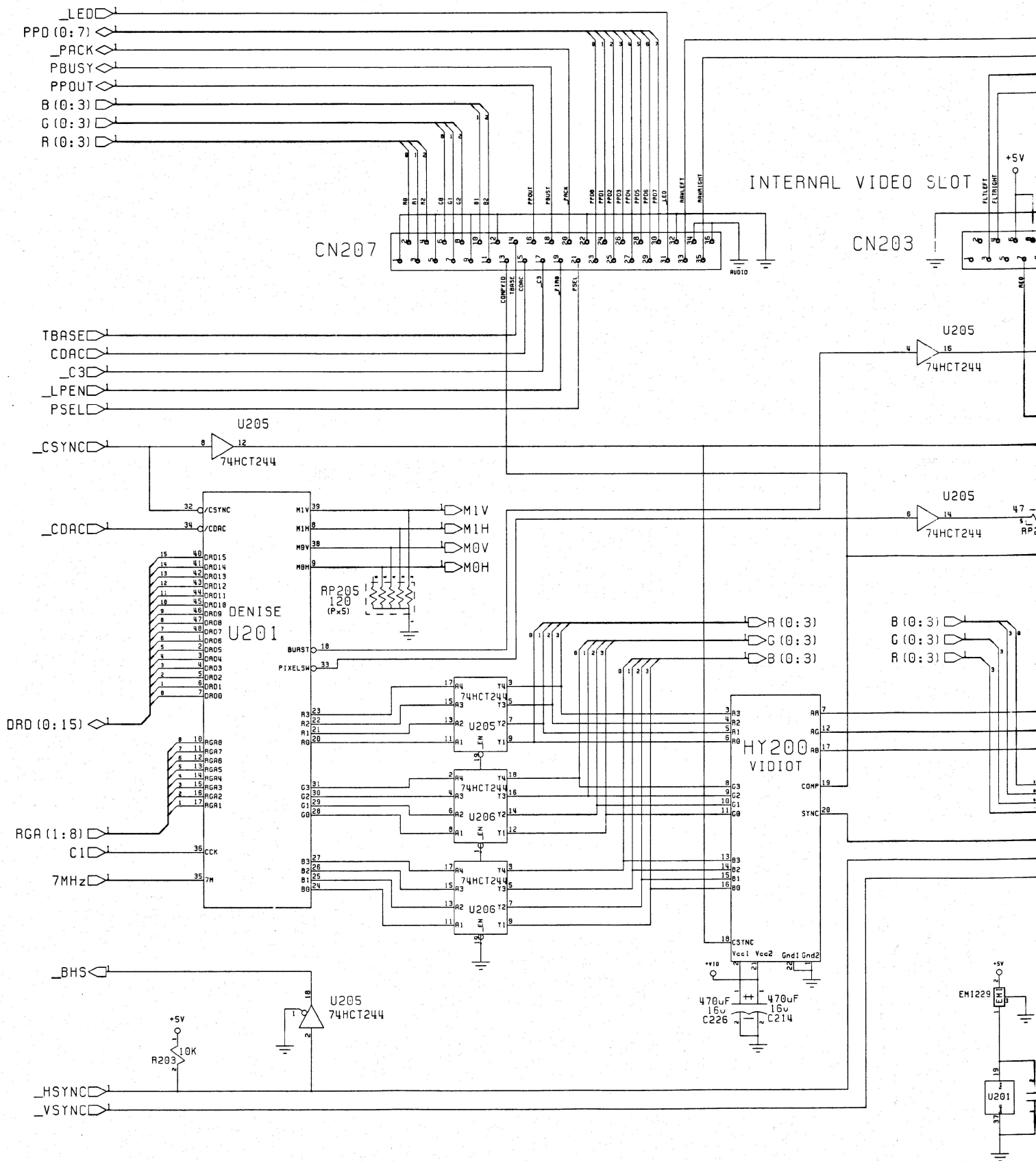


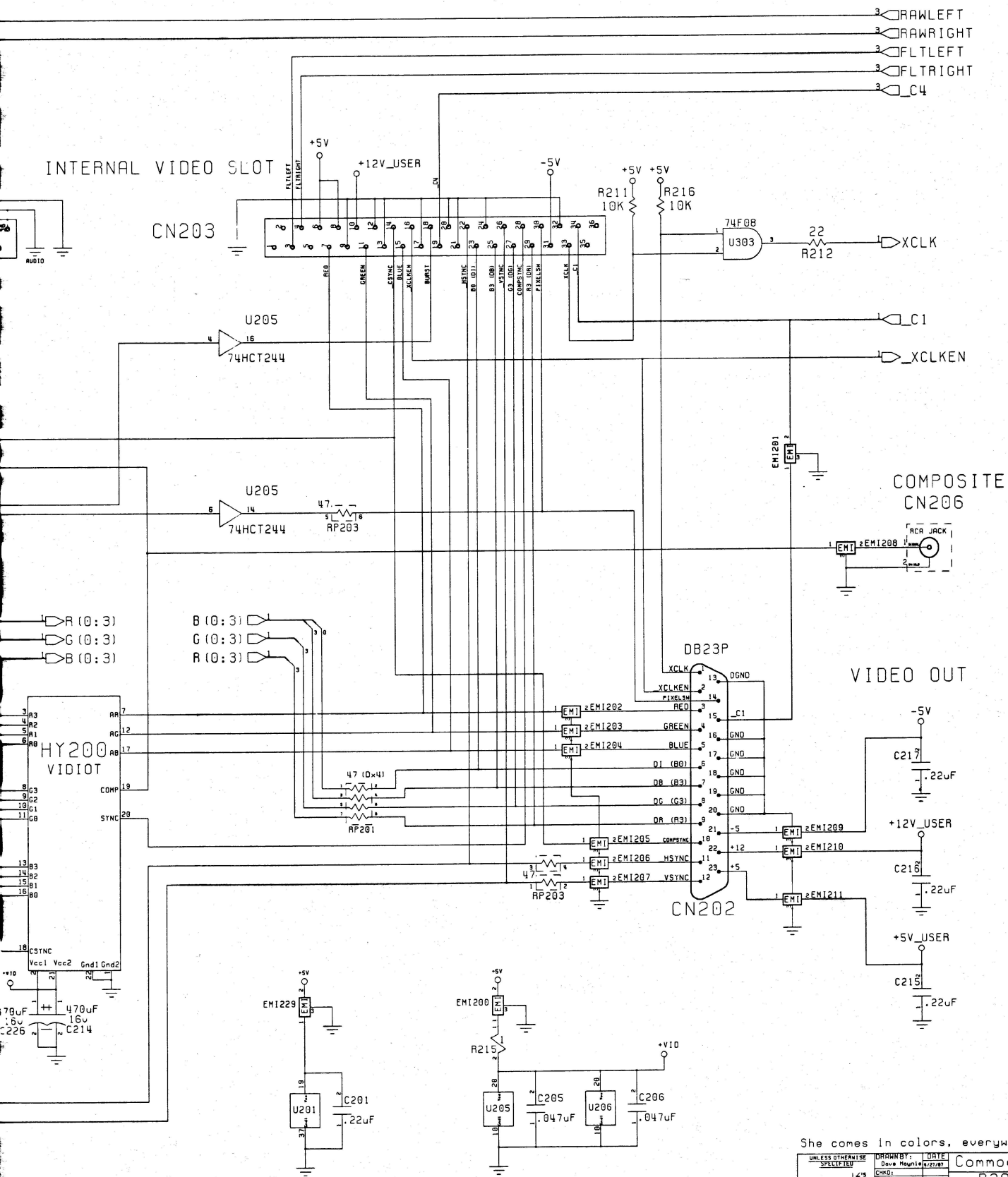


U203	C203	U302	C302	U303	C303	U507	C507
74LS38	0.047uF	74LS38	0.047uF	74LS38	0.047uF	74LS38	0.047uF

Down at the edge, 'round by the corner.

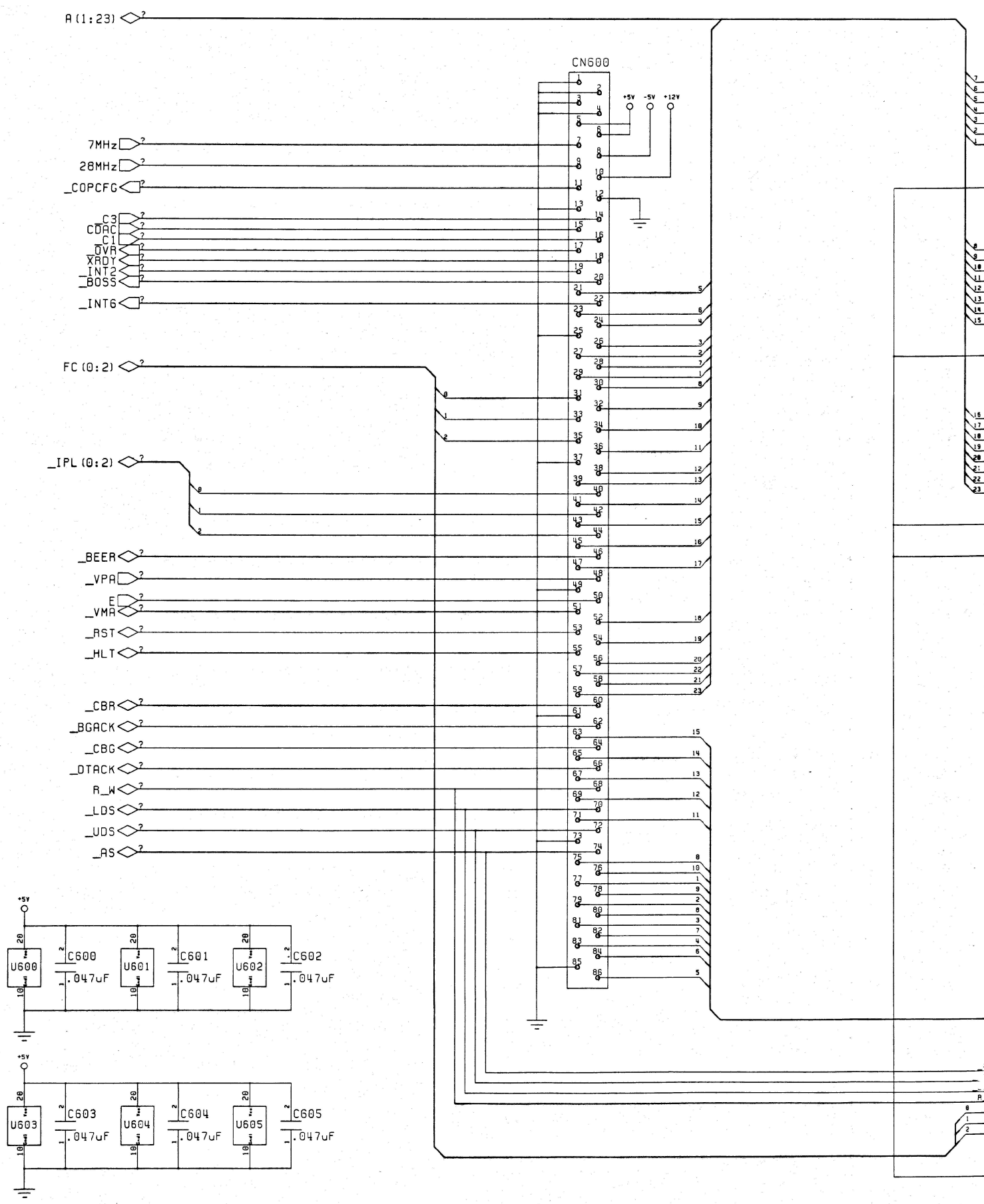
UNLESS OTHERWISE SPECIFIED	MANUFACT. DATE	Commodore
DRY	DATE	B2000
DATE	DATE	Floppy & Parallel Parts
DATE	DATE	B 312726
DATE	DATE	15MFT 1A OF 12

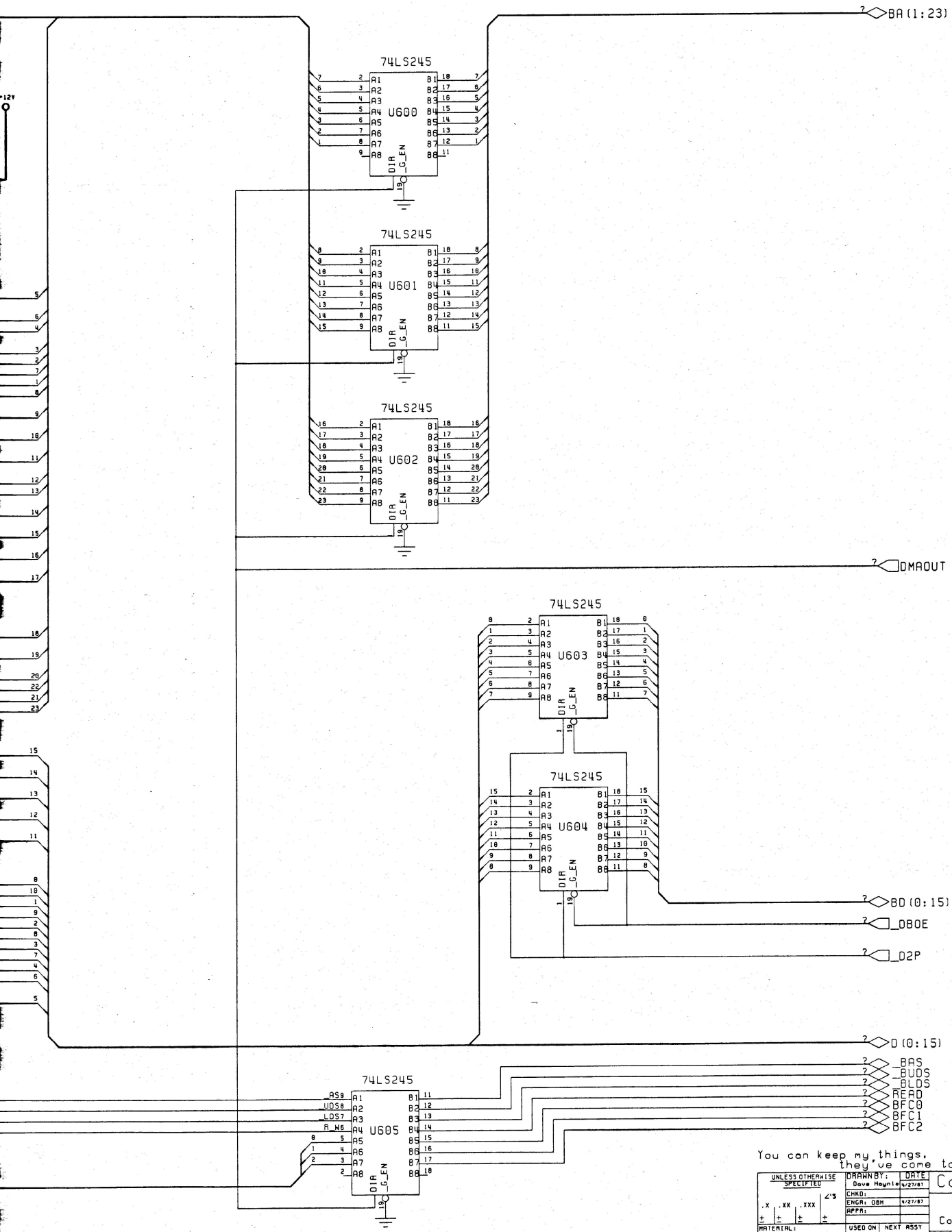




She comes in colors, everywhere

UNLESS OTHERWISE SPECIFIED		DRAWN BY: DATE	Commodore	
.		DR: Moun14	B2000	
+ C ± ± ±		ENGR: DBR	Video	
PARTIAL:		RPFR:	SIZE	REV
FINISH:		USED ON NEXT ASSY	B	312726 2
		2008-CM 312725	SCALE	SHEET 11 OF 12





You can keep my things,
they've come to take me home

UNLESS OTHERWISE SPECIFIED	DRAWN BY: Dave Hays	DATE: 4/27/81	Commodore B2000 Coprocessor Slot
.X .XX .XXX	CHKD: DBM	4/27/81	
+ + +	MATERIAL:	USED ON NEXT ASSY: A2000-CR 312725	SIZE: B
FINISH:			SCALE: SHEET 12 OF 12