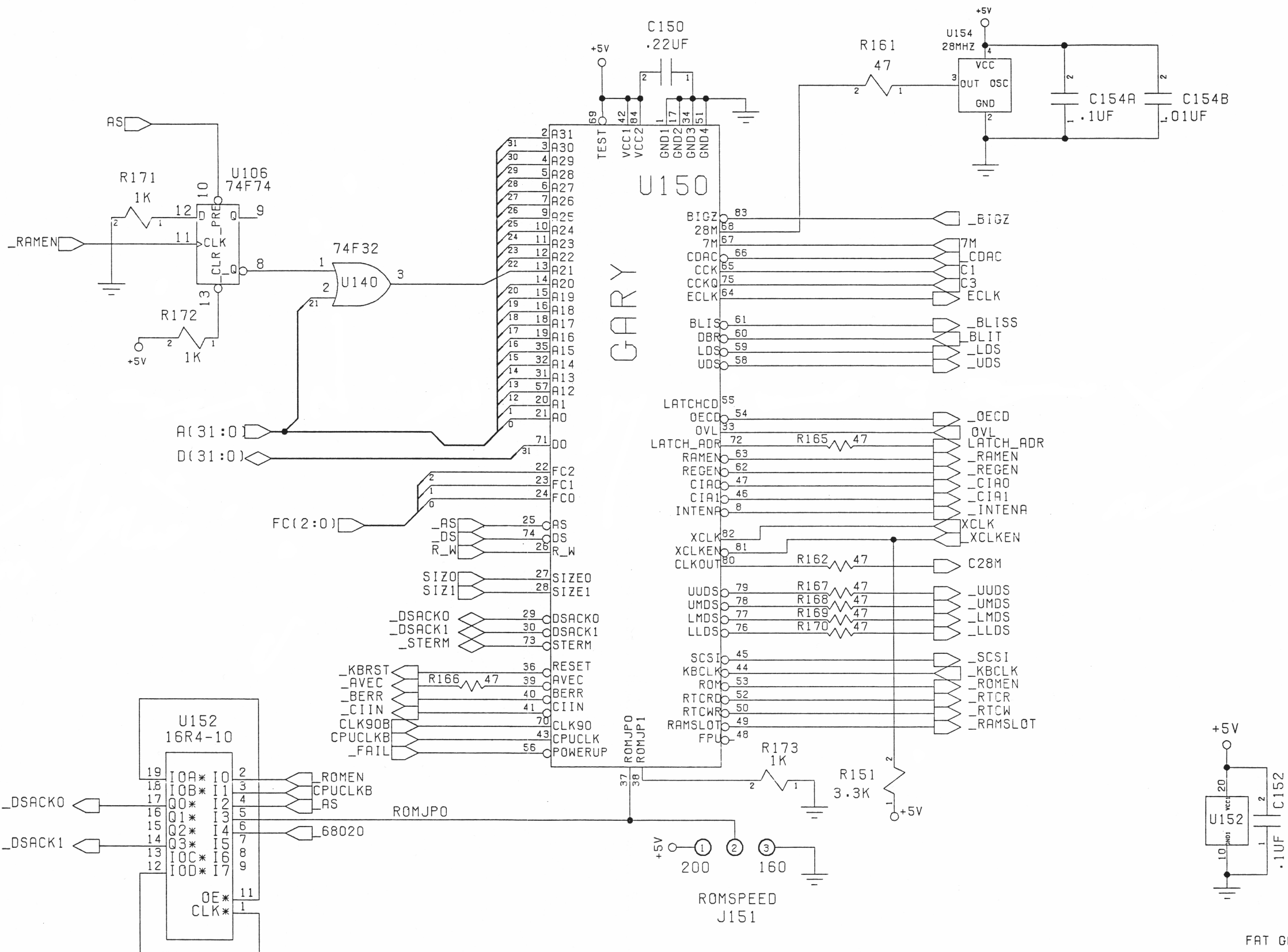


CPU, FPU, CLOCKS, ETC.

© 1990 COMMODORE BUSINESS MACHINES
 INFORMATION CONTAINED HEREIN IS THE UNPUBLISHED,
 CONFIDENTIAL AND TRADE SECRET PROPERTY OF
 COMMODORE BUSINESS MACHINES, INC. ANY USE,
 REPRODUCTION OR DISCLOSURE OF THIS INFORMATION
 WITHOUT THE PRIOR WRITTEN PERMISSION OF
 COMMODORE IS STRICTLY PROHIBITED.
 C.A.D. GENERATED
 NO MANUAL CHANGES MAY BE MADE TO THIS DOCUMENT

UNLESS OTHERWISE SPECIFIED	DRAWN BY: GREG BERLIN	DATE: 9/30/92	COMMODORE
CHKD: ENDR: GCB	APPR:		
MATERIAL:	USED ON: A4000	NEXT ASSY:	SIZE: C 364836
FINISH:			REV: B
PATH: /PROJECT/A4000/PCB_REV? PROCESSOR			SCALE NONE SHEET 3 OF 17

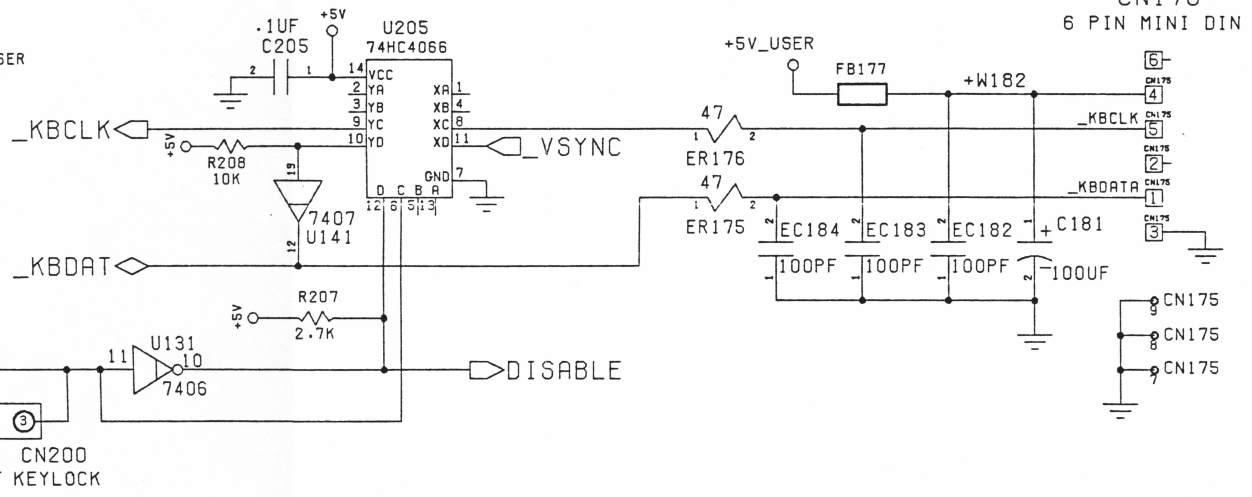
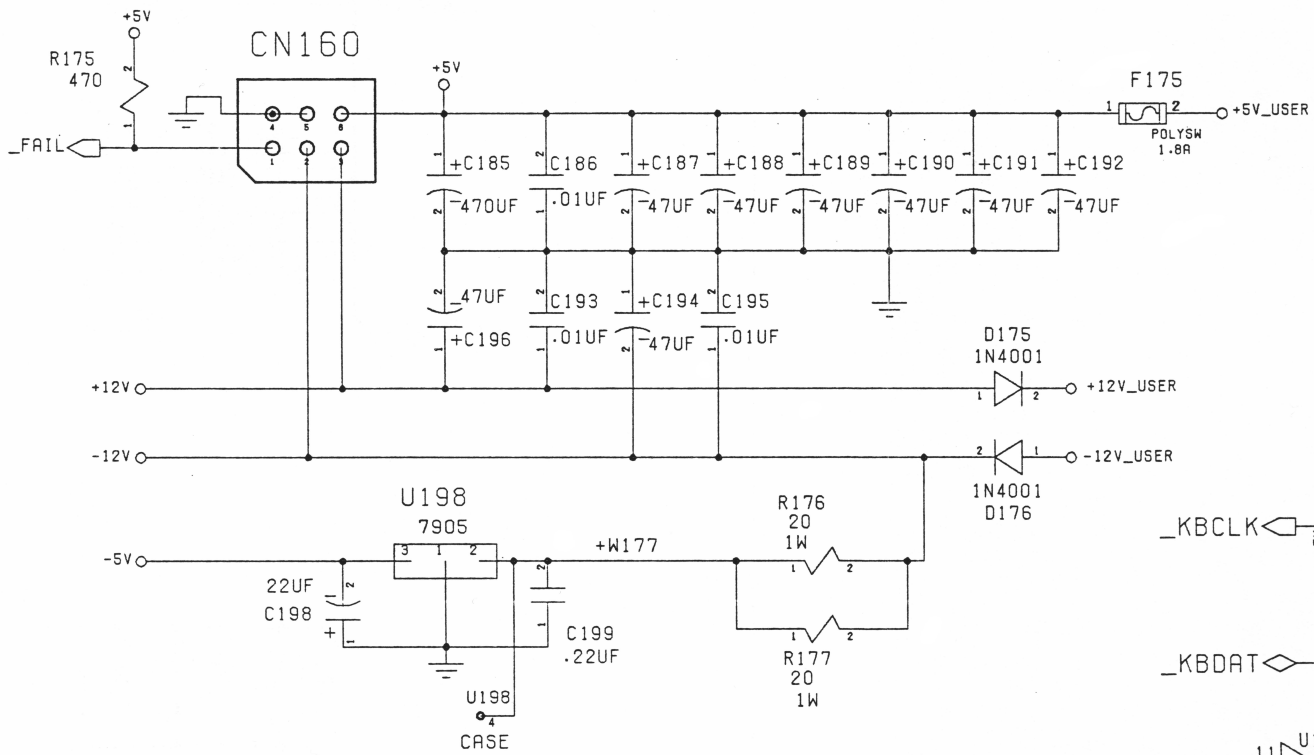
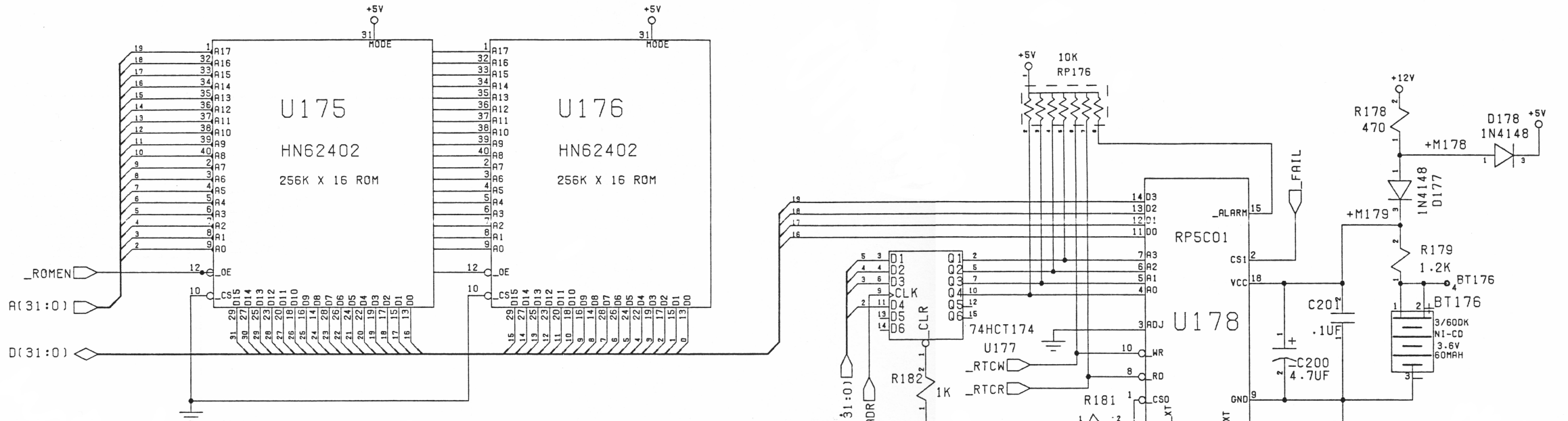


FAT GARY, ROM STUFF

© 1990 COMMODORE BUSINESS MACHINES
 INFORMATION CONTAINED HEREIN IS THE UNPUBLISHED,
 CONFIDENTIAL AND TRADE SECRET PROPERTY OF
 COMMODORE BUSINESS MACHINES, INC. ANY USE,
 REPRODUCTION OR DISCLOSURE OF THIS INFORMATION
 WITHOUT THE PRIOR WRITTEN PERMISSION OF
 COMMODORE IS STRICTLY PROHIBITED.

C.A.D. GENERATED
 NO MANUAL CHANGES MAY BE MADE TO THIS DOCUMENT

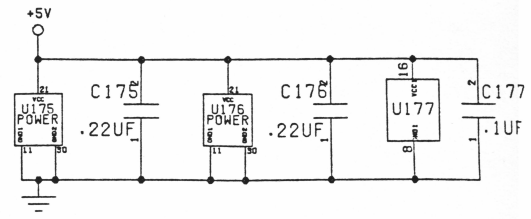
UNLESS OTHERWISE SPECIFIED		DRAWN BY: GREG BERLIN	DATE: 3/30/82	COMMODORE	
.X	.XX	.XXX	∠'S	CHKD:	
±	±	±	±	ENGR: GCB	?
MATERIAL:		USED ON: A4000	NEXT ASSY:	SIZE: C	364836
FINISH:				SCALE: NONE	SHEET 4 OF 17
PATH: /PROJECT/AA1000/PCB_REV? GARY				REV: B	150-174



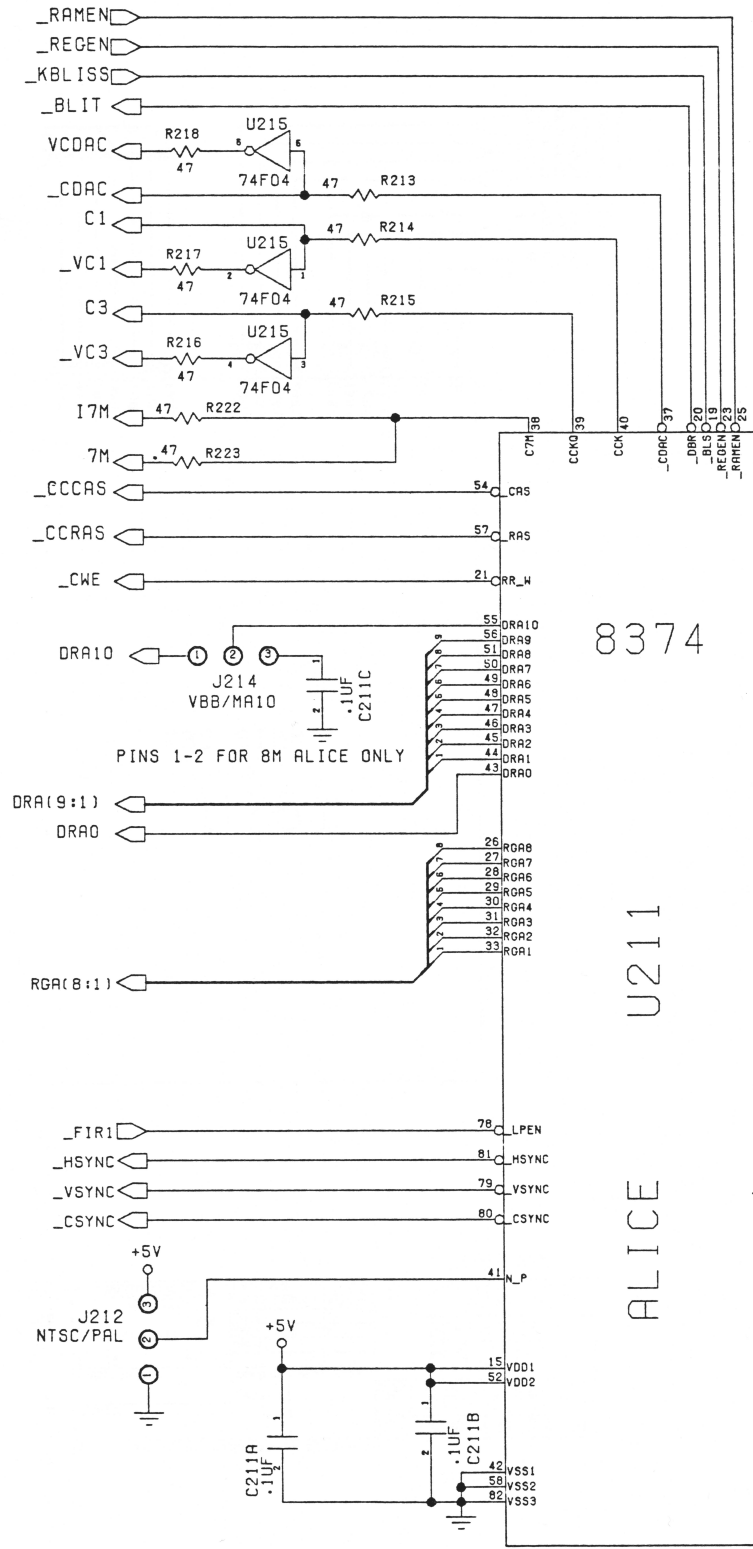
- MT1
- MT2
- MT3
- MT4
- MT5
- MT6
- MT7
- MT8
- MT9

PCB MOUNTING HOLES

KEYBOARD
CN175
6 PIN MINI DIN



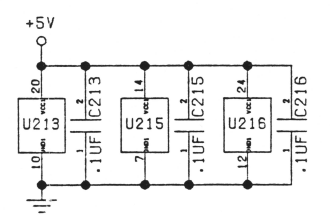
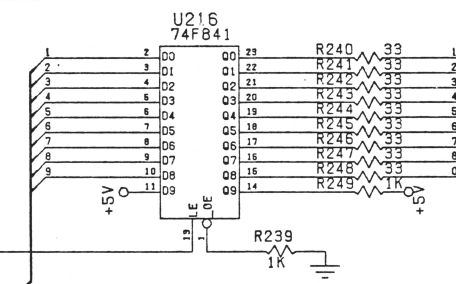
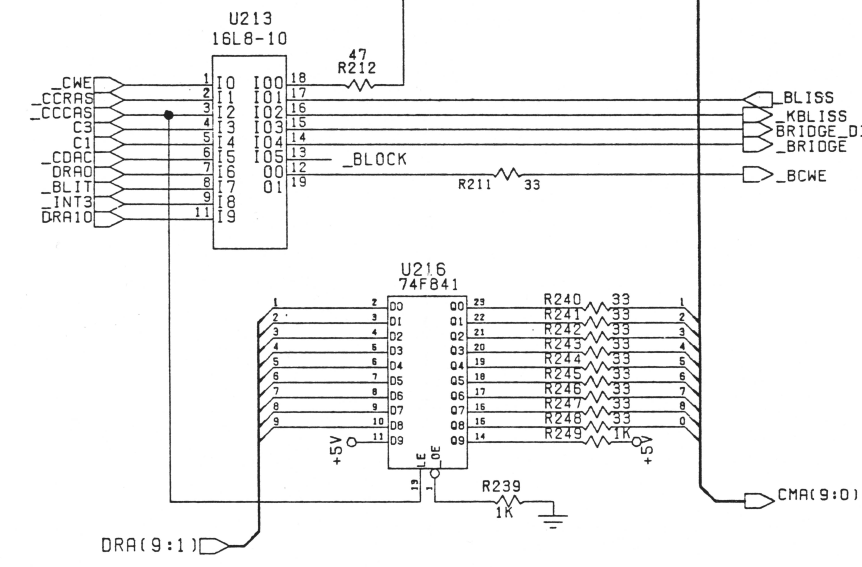
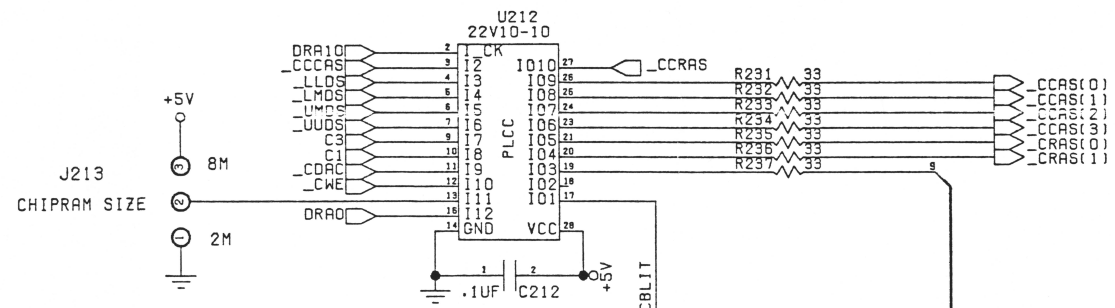
© 1990 COMMODORE BUSINESS MACHINES INFORMATION CONTAINED HEREIN IS THE UNPUBLISHED, CONFIDENTIAL AND TRADE SECRET PROPERTY OF COMMODORE BUSINESS MACHINES, INC. ANY USE, REPRODUCTION OR DISCLOSURE OF THIS INFORMATION WITHOUT THE PRIOR WRITTEN PERMISSION OF COMMODORE IS STRICTLY PROHIBITED.		UNLESS OTHERWISE SPECIFIED		DRAWN BY: GREG BERLIN DATE: 9/30/92		COMMODORE	
.X .XX .XXX + + + MATERIAL:		C/S + + + USED ON: R4000		ENGR: GCB APPR:		SCHEMATIC A4000	
C.A.D. GENERATED NO MANUAL CHANGES MAY BE MADE TO THIS DOCUMENT		FINISH:		NEXT ASSY:		SIZE: C SCALE: NONE SHEET 5 OF 17	
PATH: /PROJECT/A4000/PCB_REV? RTC							



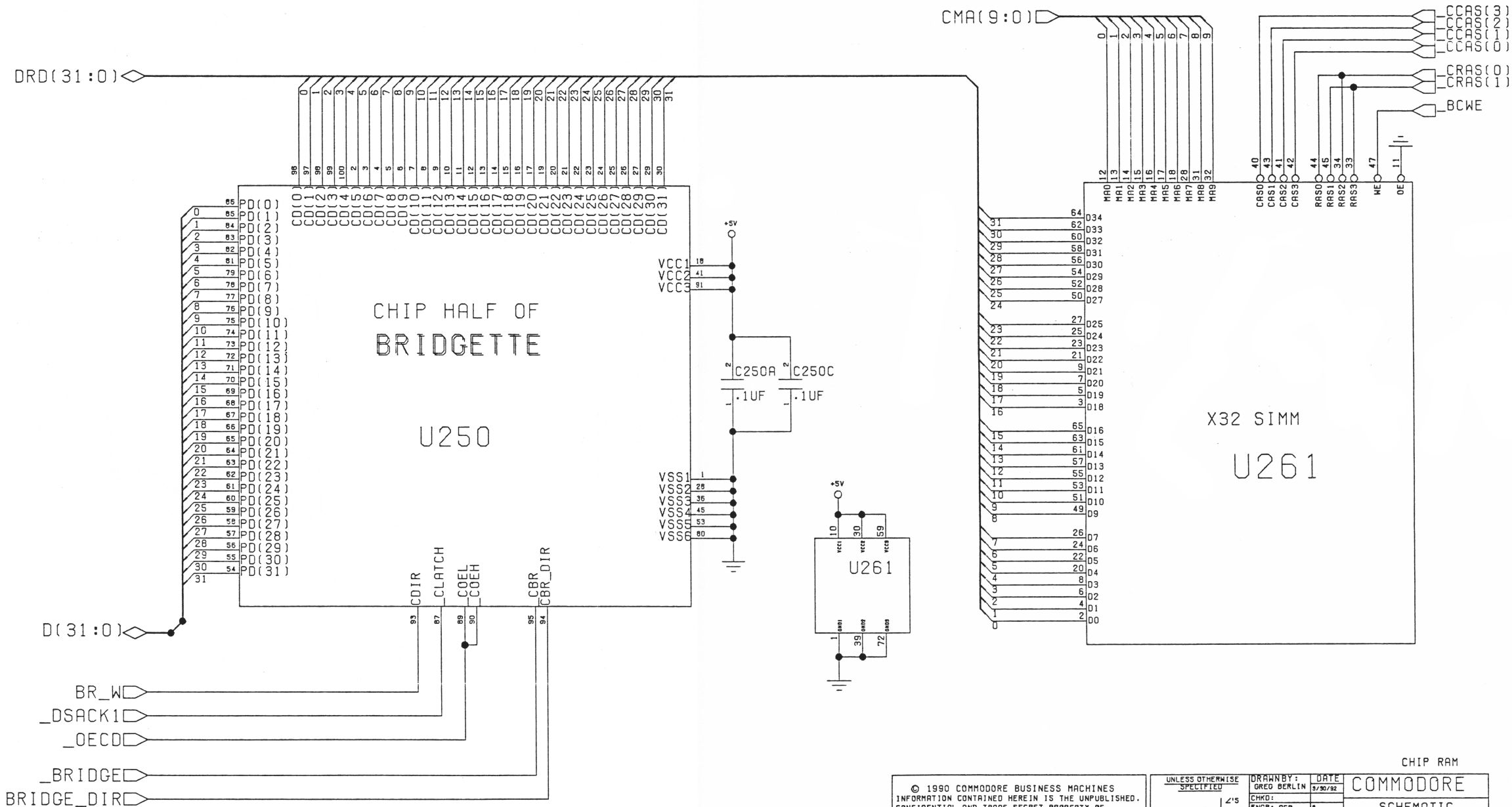
8374

U211

ALICE



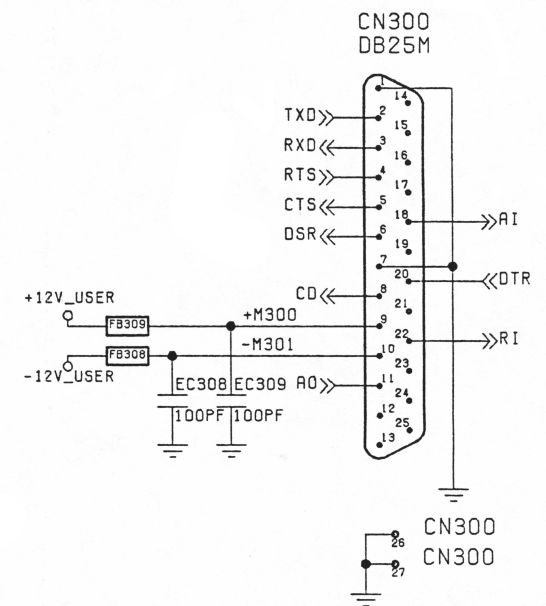
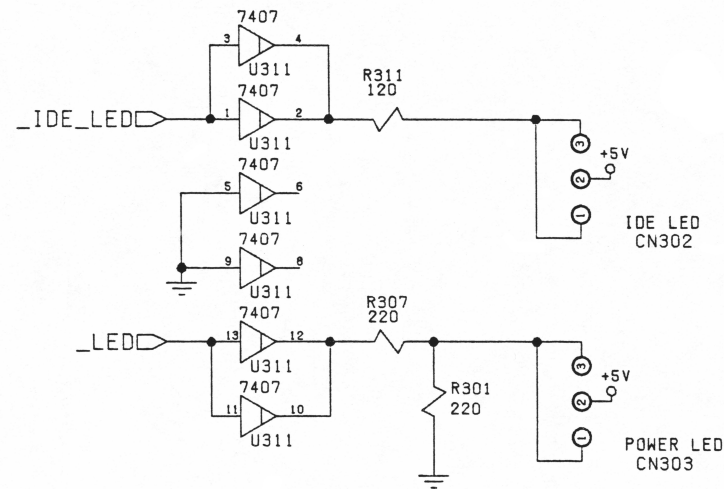
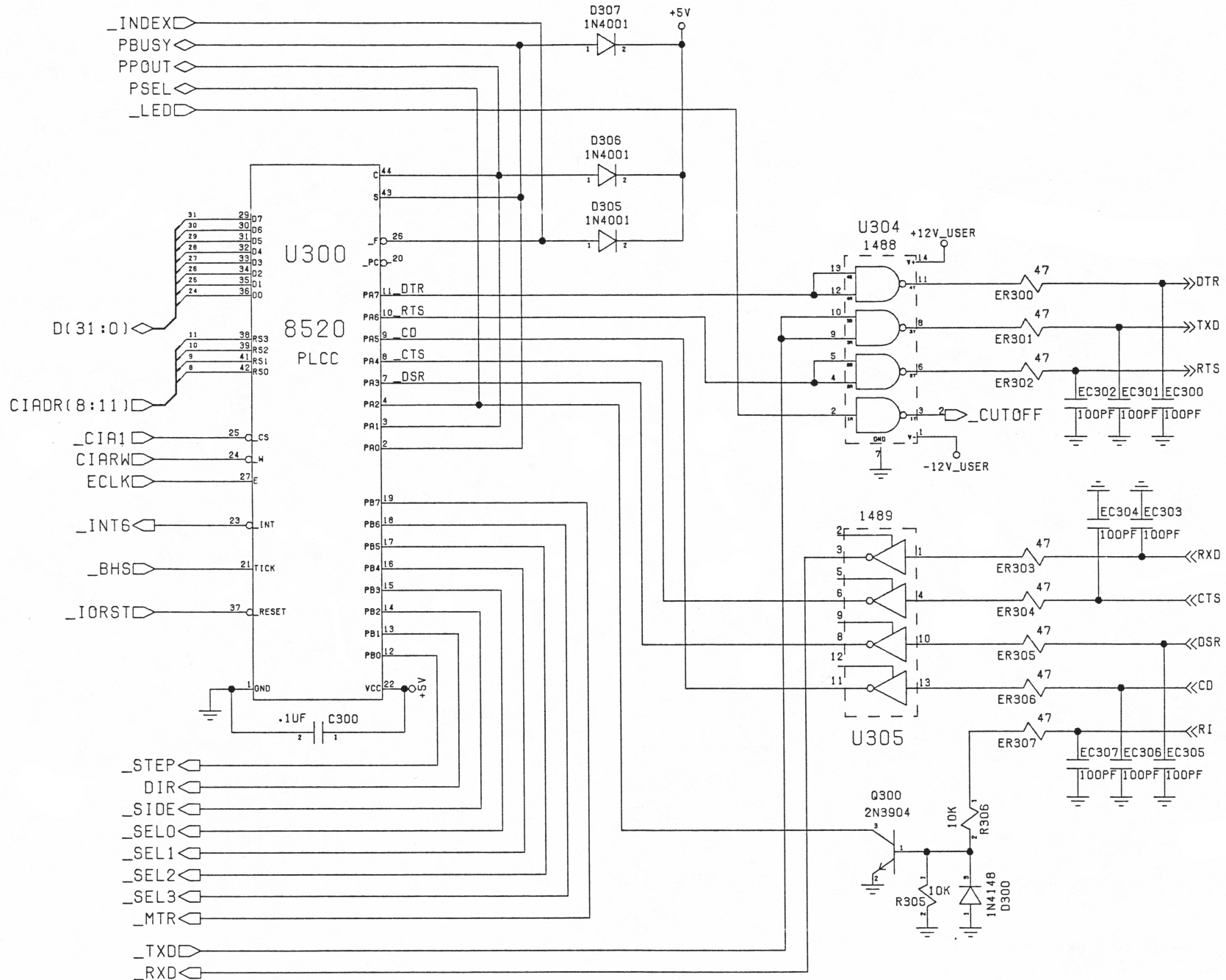
© 1992 COMMODORE-AMIGA, INC. INFORMATION CONTAINED HEREIN IS THE UNPUBLISHED, CONFIDENTIAL AND TRADE SECRET PROPERTY OF COMMODORE-AMIGA, INC. ANY USE, REPRODUCTION, OR DISCLOSURE OF THIS INFORMATION WITHOUT THE PRIOR WRITTEN PERMISSION OF COMMODORE IS STRICTLY PROHIBITED.		UNLESS OTHERWISE SPECIFIED	DRAWN BY: GREG BERLIN DATE: 8/28/91	COMMODORE
.X .XX .XXX /'S	ENGR: GCB	APP1	USED ON: R4000	SCALE: NONE
C.A.D. GENERATED		FINISH:	REVISION: 1	REV B
NO MANUAL CHANGES MAY BE MADE TO THIS DOCUMENT		PATH: /PROJECT/AR1000/PCB_REV7 ALICE		SHEET 6 OF 17



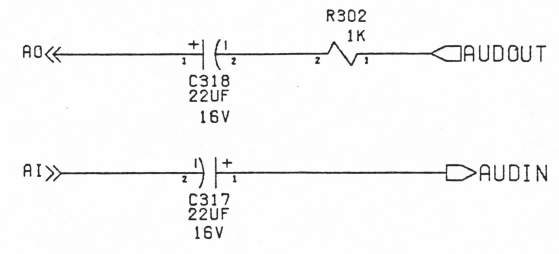
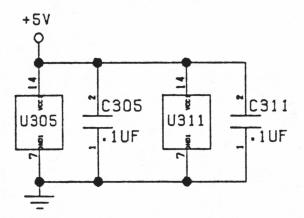
© 1990 COMMODORE BUSINESS MACHINES
 INFORMATION CONTAINED HEREIN IS THE UNPUBLISHED,
 CONFIDENTIAL AND TRADE SECRET PROPERTY OF
 COMMODORE BUSINESS MACHINES, INC. ANY USE,
 REPRODUCTION OR DISCLOSURE OF THIS INFORMATION
 WITHOUT THE PRIOR WRITTEN PERMISSION OF
 COMMODORE IS STRICTLY PROHIBITED.

C.A.D. GENERATED
 NO MANUAL CHANGES MAY BE MADE TO THIS DOCUMENT

UNLESS OTHERWISE SPECIFIED		DRAWN BY: GREG BERLIN	DATE: 5/30/92	CHIP RAM	
CHKD:		ENGR: OCB		COMMODORE	
APPR:		USED ON: A4000		SCHEMATIC	
MATERIAL:		NEXT ASSY:		A4000	
FINISH:		SCALE: NONE		SHEET 7 OF 17	
PATH: /PROJECT/AA1000/PCB_REV7_CHIPRAM		SIZE: C		364836	
				REV: B	

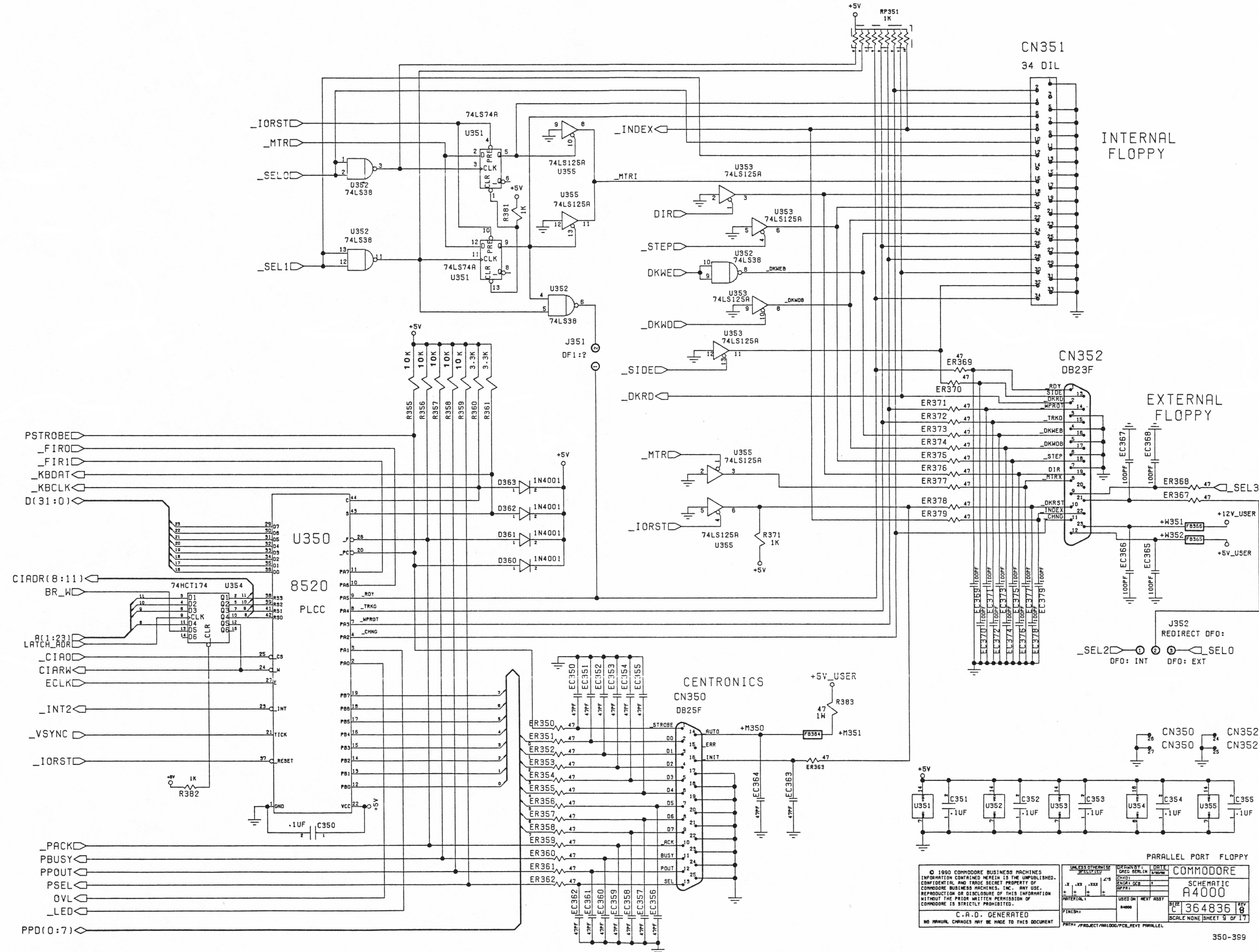


EXTERNAL SERIAL



SERIAL PORT

© 1990 COMMODORE BUSINESS MACHINES INFORMATION CONTAINED HEREIN IS THE UNPUBLISHED, CONFIDENTIAL AND TRADE SECRET PROPERTY OF COMMODORE BUSINESS MACHINES, INC. ANY USE, REPRODUCTION OR DISCLOSURE OF THIS INFORMATION WITHOUT THE PRIOR WRITTEN PERMISSION OF COMMODORE IS STRICTLY PROHIBITED.		UNLESS OTHERWISE SPECIFIED	DRAWN BY: GREN CHKD: ENDR, GCB APPR: RPPR	DATE: 6/30/90	COMMODORE
C.A.D. GENERATED NO MANUAL CHANGES MAY BE MADE TO THIS DOCUMENT				USED ON: NEXT ASST	SCHEMATIC A4000
FINISH: 84000				SIZE: C	REV: B
PATH: /PROJECT/RA1000/PCB_REV7 SERIAL				SCALE: NONE	SHEET 6 OF 17



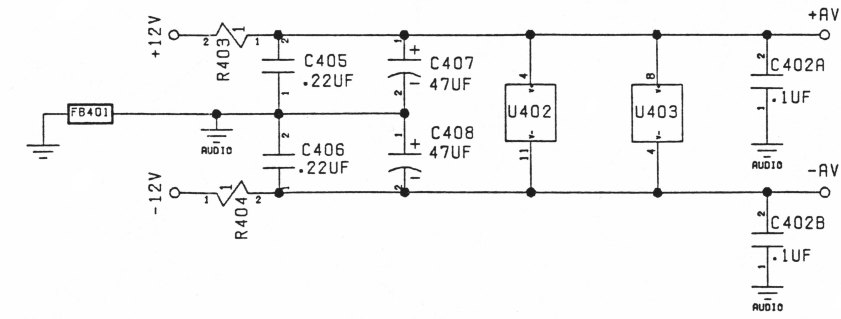
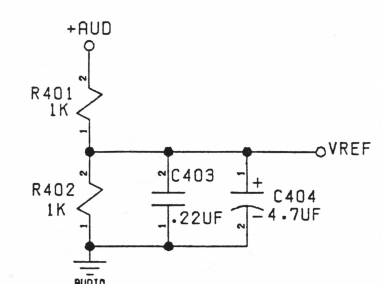
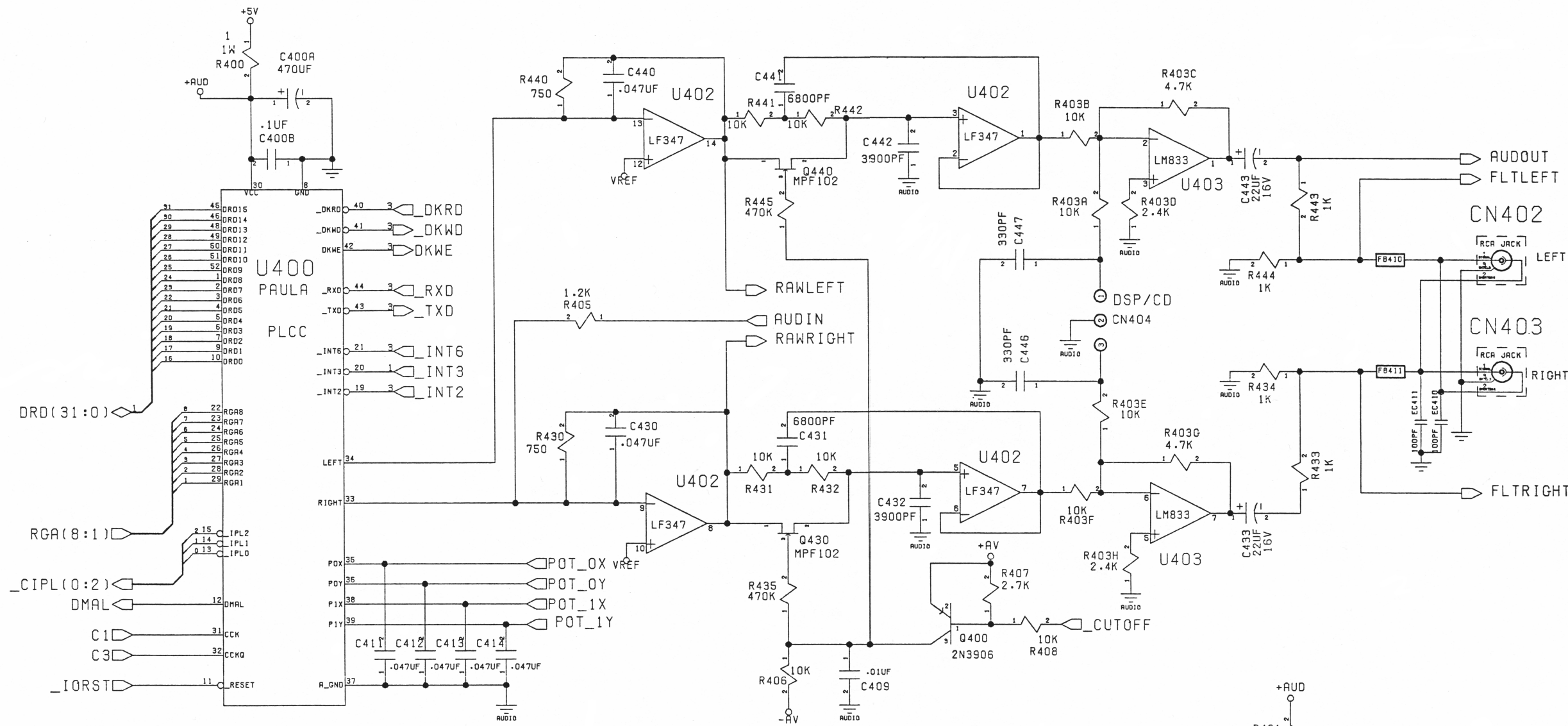
INTERNAL FLOPPY

EXTERNAL FLOPPY

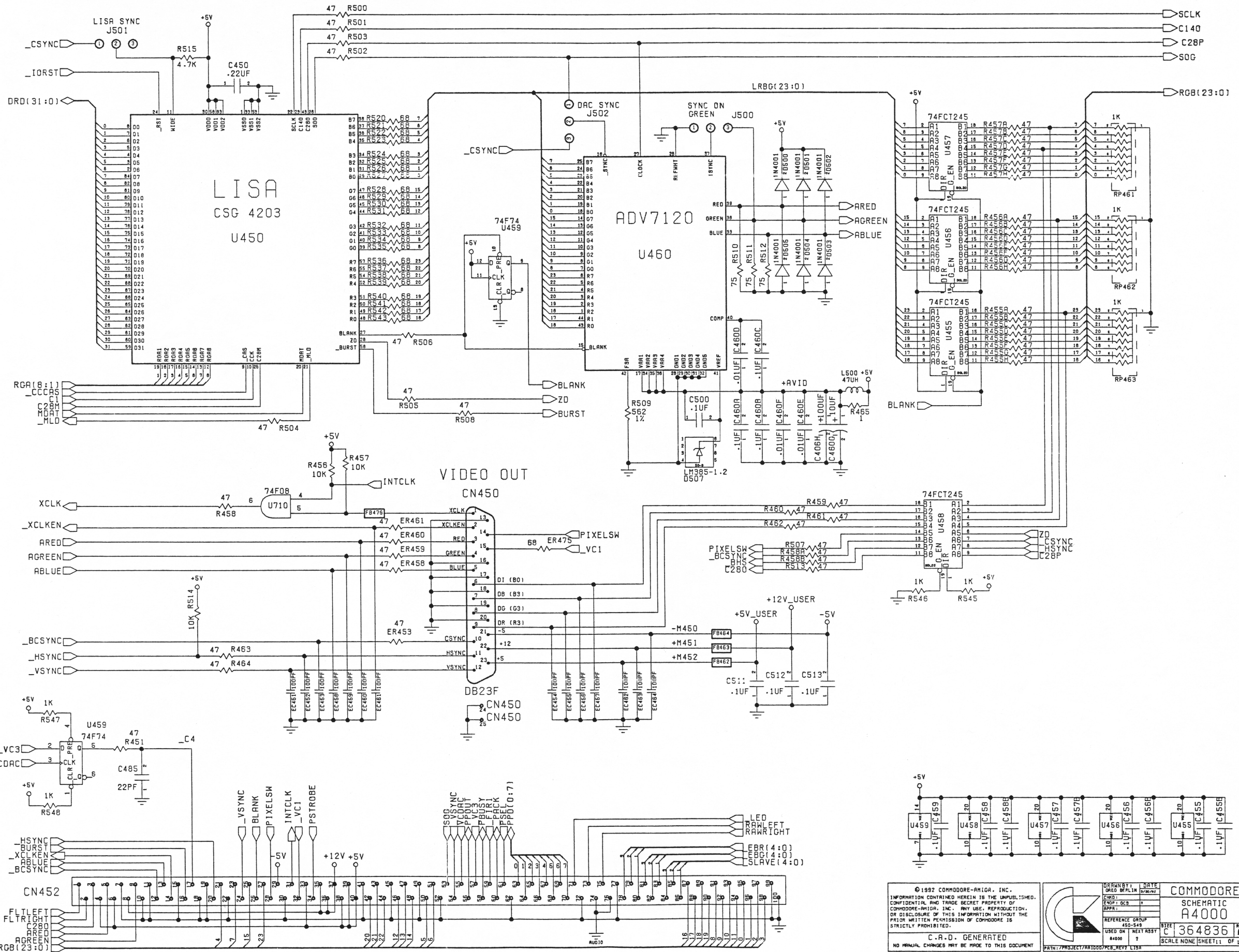
CENTRONICS
CN350
DB25F

PARALLEL PORT FLOPPY

© 1990 COMMODORE BUSINESS MACHINES INFORMATION CONTAINED HEREIN IS THE UNPUBLISHED, CONFIDENTIAL AND TRADE SECRET PROPERTY OF COMMODORE BUSINESS MACHINES, INC. ANY USE, REPRODUCTION OR DISCLOSURE OF THIS INFORMATION WITHOUT THE PRIOR WRITTEN PERMISSION OF COMMODORE IS STRICTLY PROHIBITED.		UNLESS OTHERWISE SPECIFIED DRAWN BY: GREG BERLIN DATE: 1/85 CHECKED BY: GREG BERLIN DATE: 1/85 APPROVED BY: GREG BERLIN DATE: 1/85		COMMODORE SCHEMATIC A4000 SIZE: C 364836 SCALE: NONE SHEET 9 OF 17	
C.A.D. GENERATED NO MANUAL CHANGES MAY BE MADE TO THIS DOCUMENT		FINISH: 84000 USED ON NEXT ASST:		PATH: /PROJECT/A4000/PCB/REV1.PARALLEL	

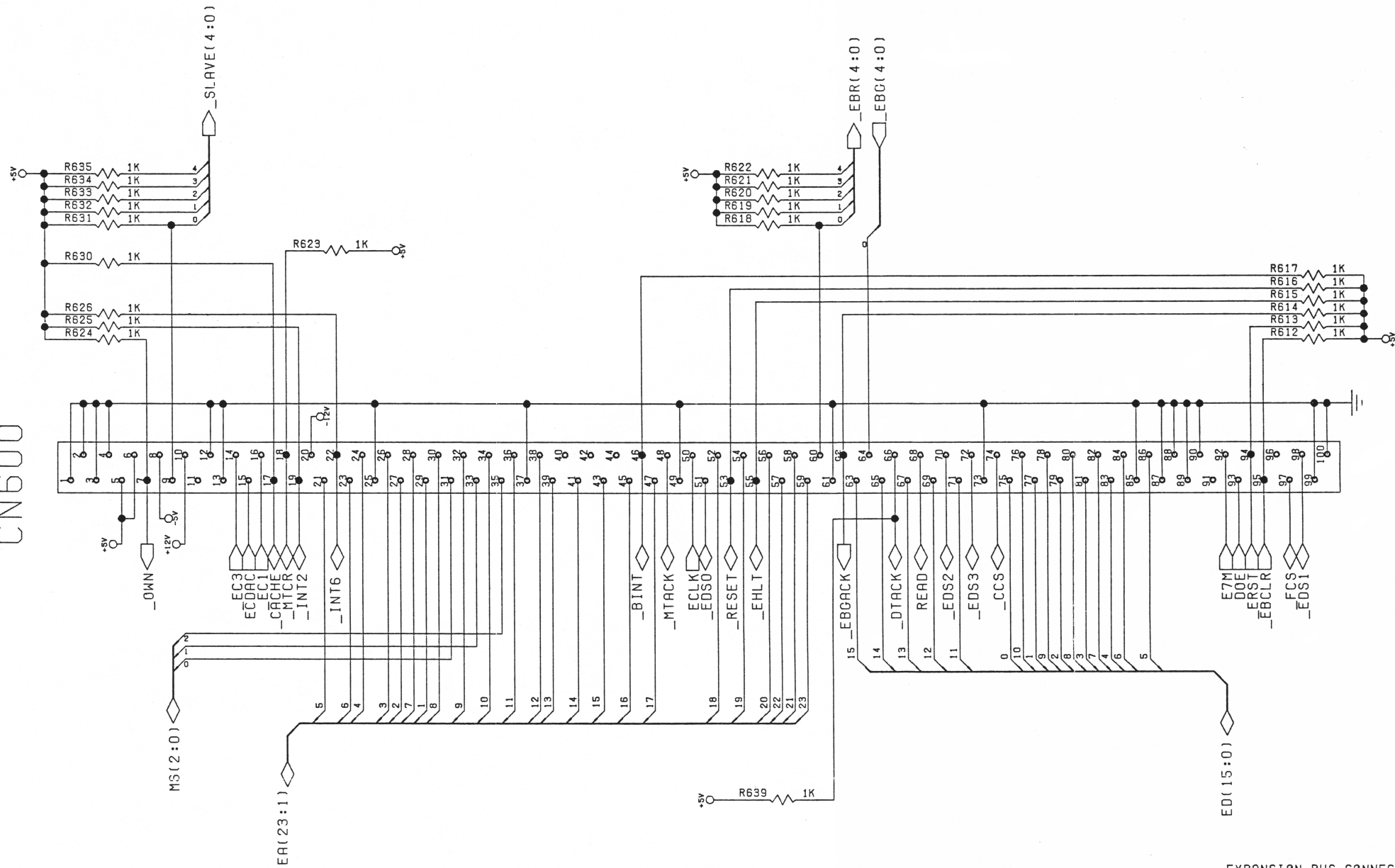


©1992 COMODORE-AMIGA, INC. INFORMATION CONTAINED HEREIN IS THE UNPUBLISHED, CONFIDENTIAL AND TRADE SECRET PROPERTY OF COMODORE-AMIGA, INC. ANY USE, REPRODUCTION, OR DISCLOSURE OF THIS INFORMATION WITHOUT THE PRIOR WRITTEN PERMISSION OF COMODORE IS STRICTLY PROHIBITED.		DRAWN BY: GREG BERLIN DATE: 8/29/92 ENGR: GCB APPR:	COMODORE SCHEMATIC A4000 REV B SCALE NONE SHEET 10 OF 17
C.A.D. GENERATED NO MANUAL CHANGES MAY BE MADE TO THIS DOCUMENT		MATERIAL: USED ON NEXT ASSY FINISH: M4000 ?	SIZE: C 364836 PATH: /PROJECT/RA1000/PCB_REV? AUD10



© 1992 COMMODORE-AMIGA, INC. INFORMATION CONTAINED HEREIN IS UNPUBLISHED, CONFIDENTIAL AND TRADE SECRET PROPERTY OF COMMODORE-AMIGA, INC. ANY USE, REPRODUCTION, OR DISCLOSURE OF THIS INFORMATION WITHOUT THE PRIOR WRITTEN PERMISSION OF COMMODORE IS STRICTLY PROHIBITED.		DRAWN BY: <u>DALE M. PLIN</u> DATE: <u>12/28/92</u> CKD: <u>OCB</u> APPR: <u>OCB</u>	COMMODORE A4000 REFERENCE GROUP: 400-549 USED ON: NEXT ASSY: 44000 ? SCALE: NONE (SHEET 11 OF 16)
C.A.D. GENERATED NO MANUAL CHANGES MAY BE MADE TO THIS DOCUMENT		PROJECT: A4000/P45_REV1 LISA	SIZE: C 364836 REV 9


CN600



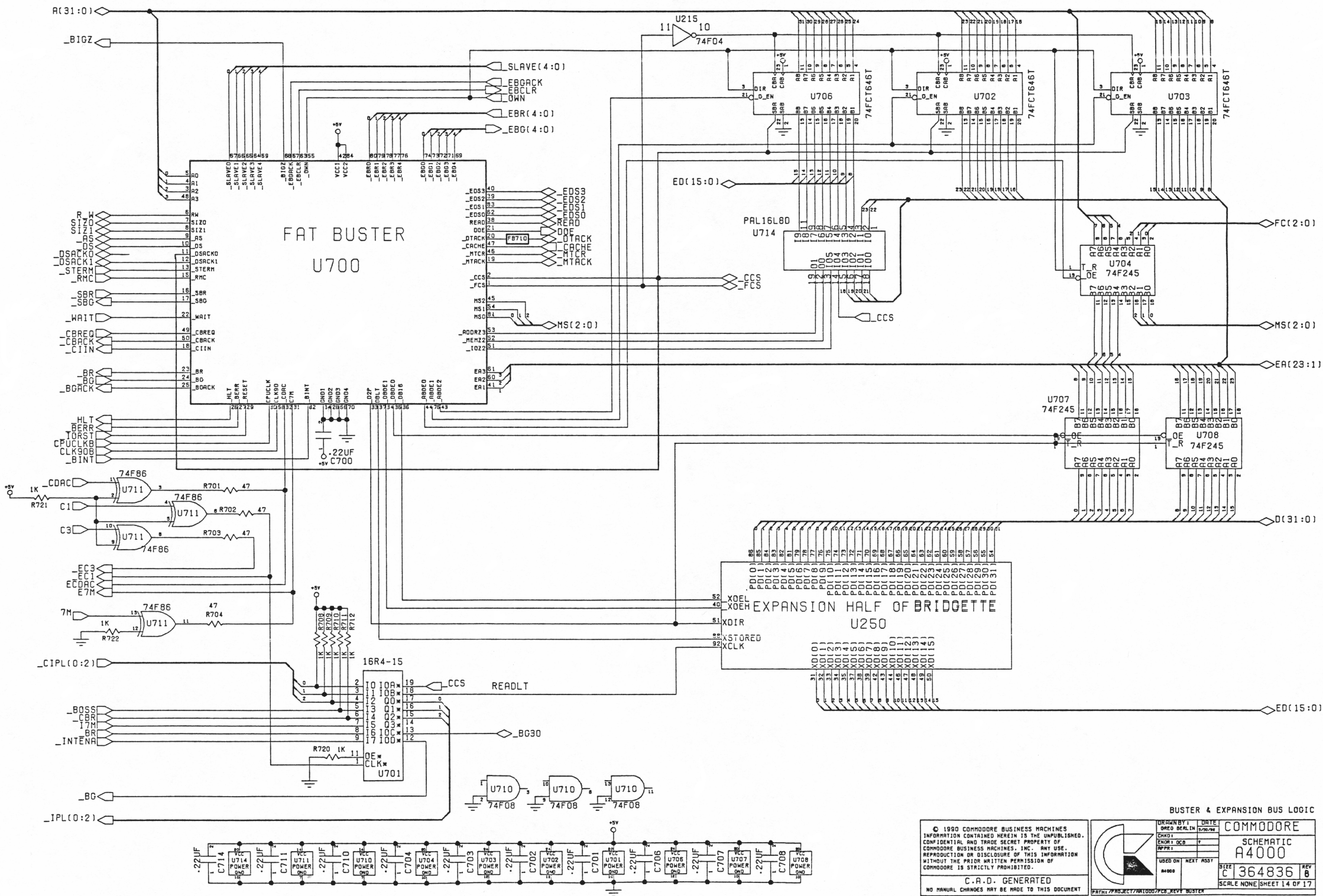
EXPANSION BUS CONNECTOR

© 1990 COMMODORE BUSINESS MACHINES
 INFORMATION CONTAINED HEREIN IS UNPUBLISHED,
 CONFIDENTIAL AND TRADE SECRET PROPERTY OF
 COMMODORE BUSINESS MACHINES, INC. ANY USE,
 REPRODUCTION OR DISCLOSURE OF THIS INFORMATION
 WITHOUT THE PRIOR WRITTEN PERMISSION OF
 COMMODORE IS STRICTLY PROHIBITED.

C.A.D. GENERATED
 NO MANUAL CHANGES MAY BE MADE TO THIS DOCUMENT

	DRAWN BY: GREG BERLIN	DATE 9/30/92	COMMODORE
	CHKD:		SCHEMATIC
	ENGR: GCB		A4000
	APPR:		SIZE C 364836
USED ON	NEXT ASSY		REV B
A4000			SCALE NONE SHEET 12 OF 17

PATH: /PROJECT/A41000/PCB_REV? 100PIN



© 1990 COMMODORE BUSINESS MACHINES
 INFORMATION CONTAINED HEREIN IS THE UNPUBLISHED,
 CONFIDENTIAL AND TRADE SECRET PROPERTY OF
 COMMODORE BUSINESS MACHINES, INC. ANY USE,
 REPRODUCTION OR DISCLOSURE OF THIS INFORMATION
 WITHOUT THE PRIOR WRITTEN PERMISSION OF
 COMMODORE IS STRICTLY PROHIBITED.

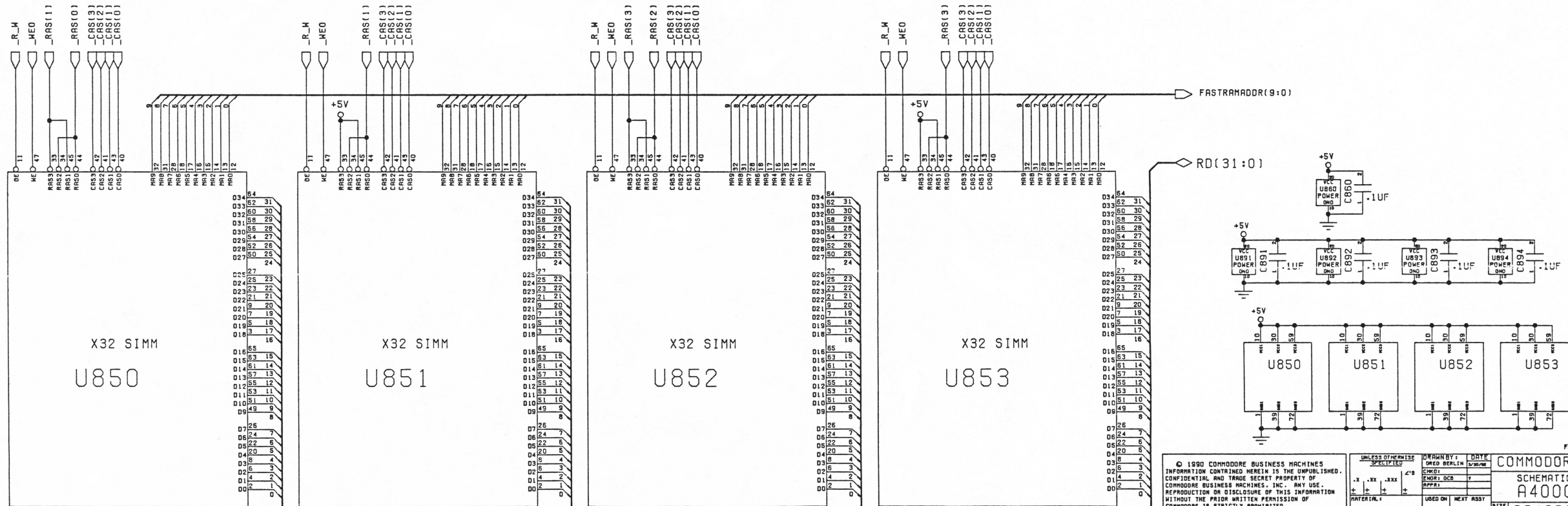
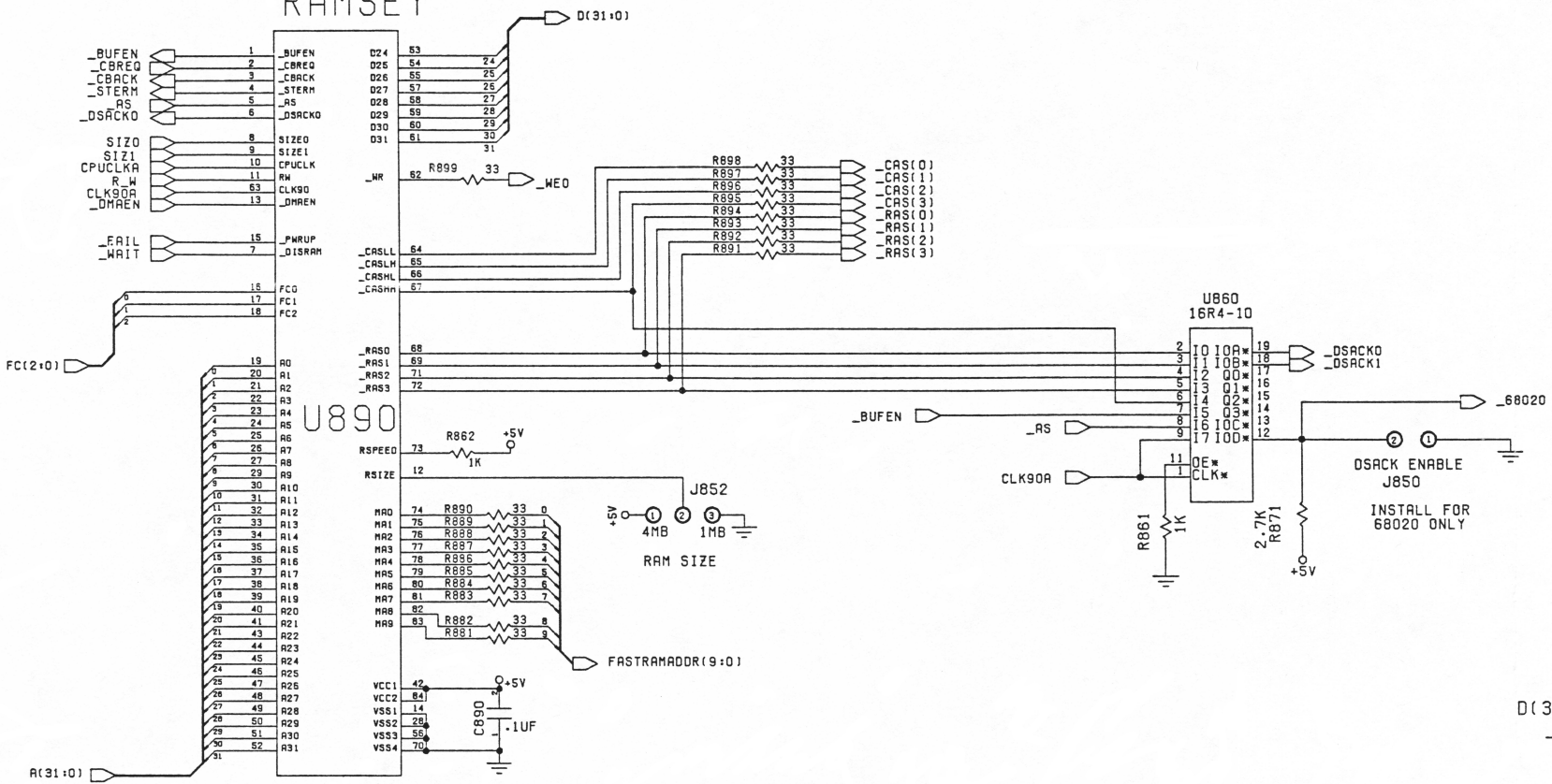
C.A.D. GENERATED
 NO MANUAL CHANGES MAY BE MADE TO THIS DOCUMENT

		DRAWN BY: [] DATE: [] CHECKED BY: [] ENGR: OCB DATE: []	COMMODORE SCHEMATIC A4000
USED ON: [] NEXT ASST: []		84000	SIZE: C 364836 REV: 8 SCALE: NONE SHEET 14 OF 17

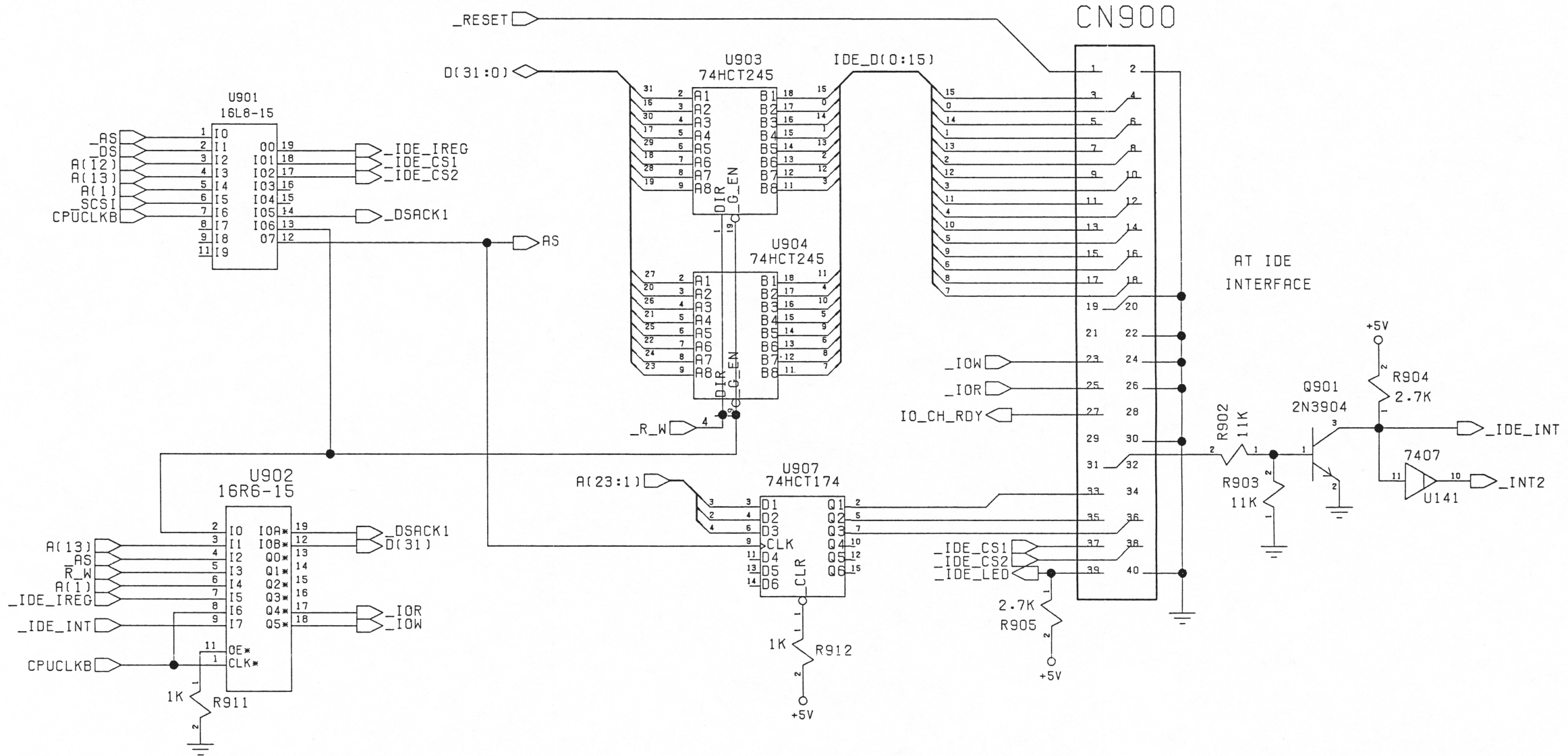
PATH: P:\PROJ\CT\A4000\PCB_REV1\BUSTER

BUSTER & EXPANSION BUS LOGIC

RAMSEY

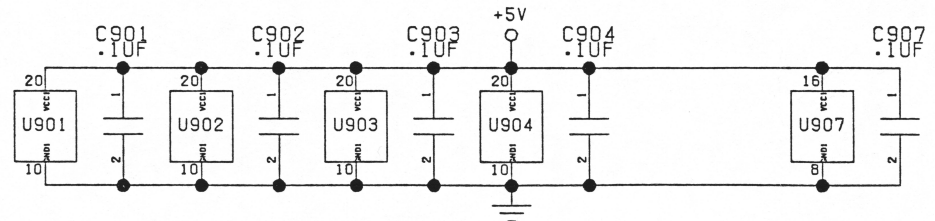


Technical drawing metadata including 'COMMODORE A4000 SCHEMATIC', 'C. A. D. GENERATED', and 'DRAWN BY: DATE' fields.



AT IDE
INTERFACE

AT IDE HARD DISK INTERFACE

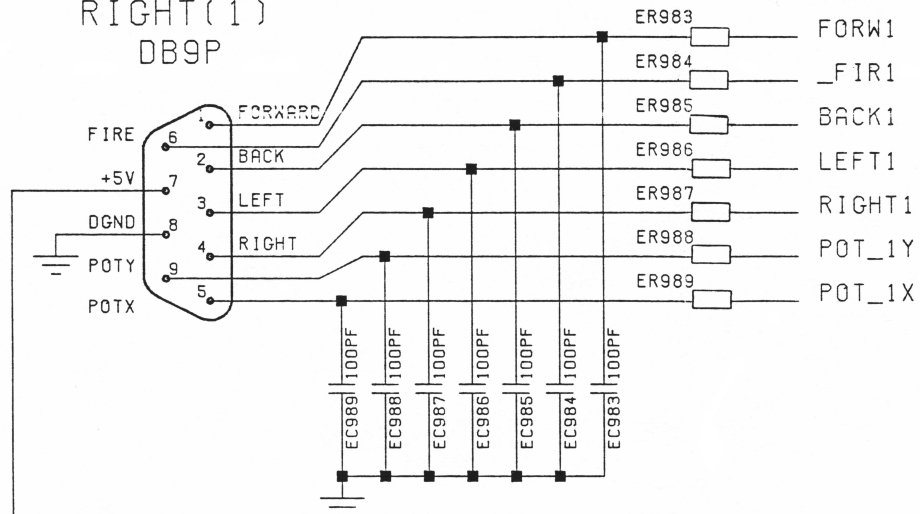


© 1990 COMMODORE BUSINESS MACHINES
 INFORMATION CONTAINED HEREIN IS THE UNPUBLISHED,
 CONFIDENTIAL AND TRADE SECRET PROPERTY OF
 COMMODORE BUSINESS MACHINES, INC. ANY USE,
 REPRODUCTION OR DISCLOSURE OF THIS INFORMATION
 WITHOUT THE PRIOR WRITTEN PERMISSION OF
 COMMODORE IS STRICTLY PROHIBITED.

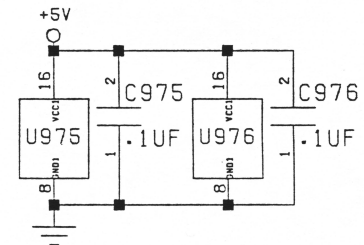
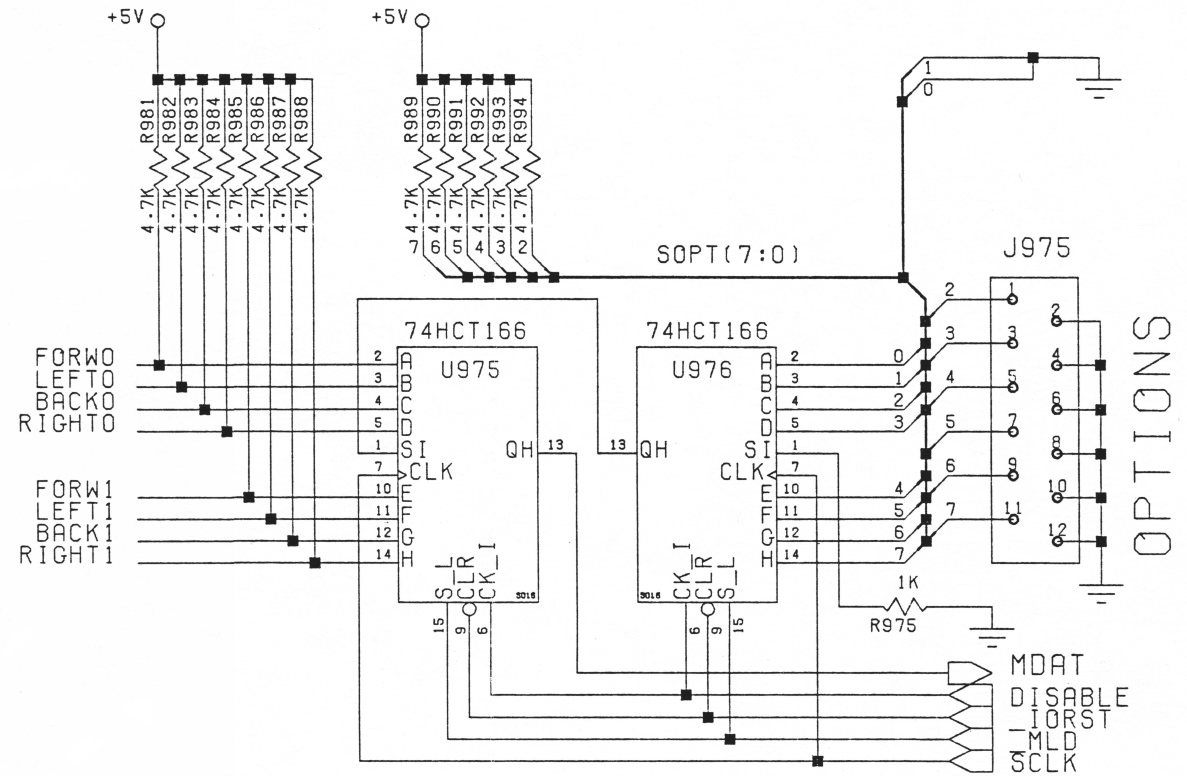
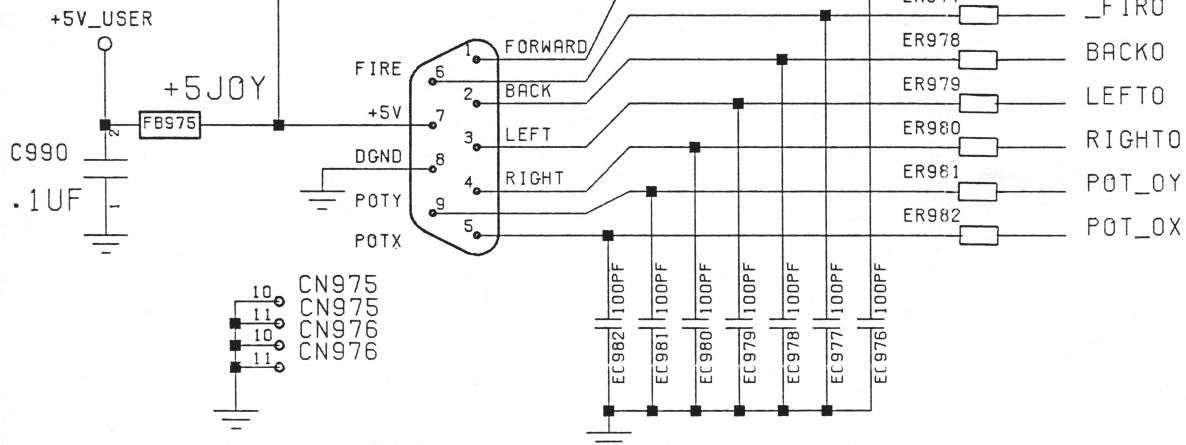
C.A.D. GENERATED
 NO MANUAL CHANGES MAY BE MADE TO THIS DOCUMENT

UNLESS OTHERWISE SPECIFIED	DRAWN BY: AUG1	DATE: 9/30/92	COMMODORE	
.X .XX .XXX /S	CHKD: JER	9/30/92		SCHEMATIC A4000
± ± ± ±	ENGR: JER	APPR:		
MATERIAL:	USED ON: A4000	NEXT ASSY: XXXXX	SIZE: C 364836	
FINISH:			SCALE: NONE	
PATH: /PROJECT/AR1000/PCB_REV2 HARDDISK			REV: B	
			SHEET 16 OF 17	
			900-949	

CN976
RIGHT(1)
DB9P



CN975
LEFT(0)
DB9P



MOUSE & JOYSTICK CONNECTORS

© 1990 COMMODORE BUSINESS MACHINES
INFORMATION CONTAINED HEREIN IS THE UNPUBLISHED,
CONFIDENTIAL AND TRADE SECRET PROPERTY OF
COMMODORE BUSINESS MACHINES, INC. ANY USE,
REPRODUCTION OR DISCLOSURE OF THIS INFORMATION
WITHOUT THE PRIOR WRITTEN PERMISSION OF
COMMODORE IS STRICTLY PROHIBITED.

C.A.D. GENERATED
NO MANUAL CHANGES MAY BE MADE TO THIS DOCUMENT

UNLESS OTHERWISE SPECIFIED	DRAWN BY: GREG BERLIN	DATE: 3/30/92	COMMODORE	
.X .XX .XXX /S	CHKD:	ENGR: GCB	SCHEMATIC	
± ± ± ±	MATERIAL:	USED ON: A4000	A4000	
FINISH:	APPR:	NEXT ASSY: ?	SIZE: C	REV: B
PATH: /PROJECT/AA1000/PCB_REV? JOYSTICKS			SCALE NONE SHEET 17 OF 17	